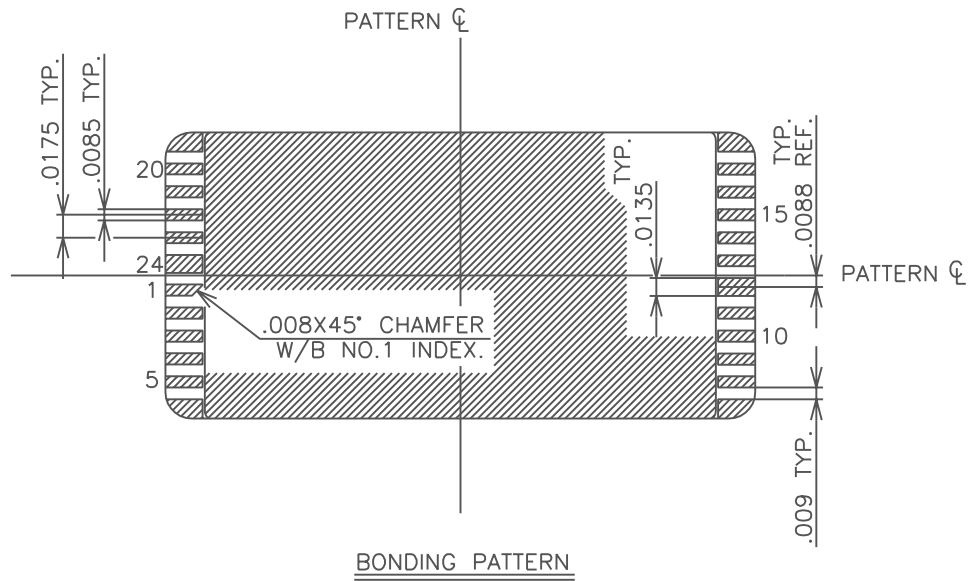


- NOTES
1. PLATING THICKNESS TO BE PER CUSTOMER'S SPECIFICATION.
 2. SEAL AREA TO BE METALLIZED.
 3. DIE ATTACH AREA TO BE METALLIZED.
 4. SEAL RING AND DIE ATTACH PAD TO BE FLOATING FROM ANY PINS.
 5. LEAD RESISTANCE : 0.30 OHM MAX.

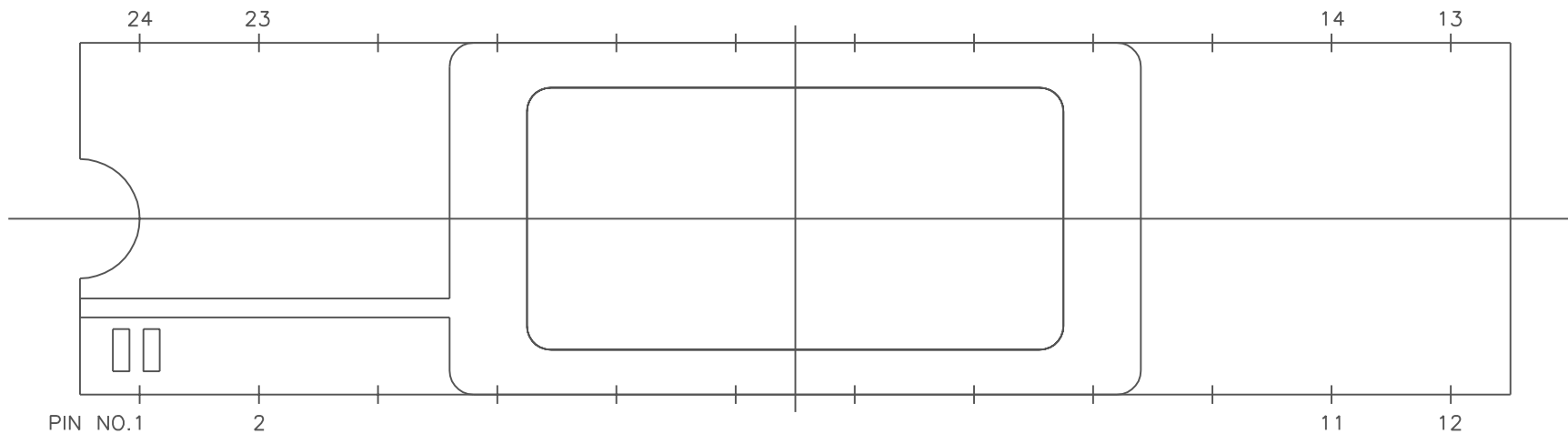
SB024S789-1				S=0
				D=0
DRAWN	CHECKED	APPROVED	DATE	
K.I	K.O	K.M	AUG.23.'80	
DRAWING NO.			SHEET	
KD-S86789-B			1/5	

MODIFICATION						NAME	24 LEAD SIDE BRAZED PACKAGE		TOLERANCE	UNLESS OTHERWISE SPECIFIED	
						SCALE	4 / 1		MATERIAL	AS INDICATED	
								±.005	THIRD ANGLE PROJECTION		
REDRAWN : CONVERTED CAD DATA. ADDED : SHEET 3/5 CHANGED					DATE	DRAWN	CHECKED	APPROVED	KYOCERA CORPORATION KYOTO JAPAN		
					MAY.7.'01	T.S/H.K	SH.K/S.NI	H.SA	DRAWING NO. KD-S86789-B		




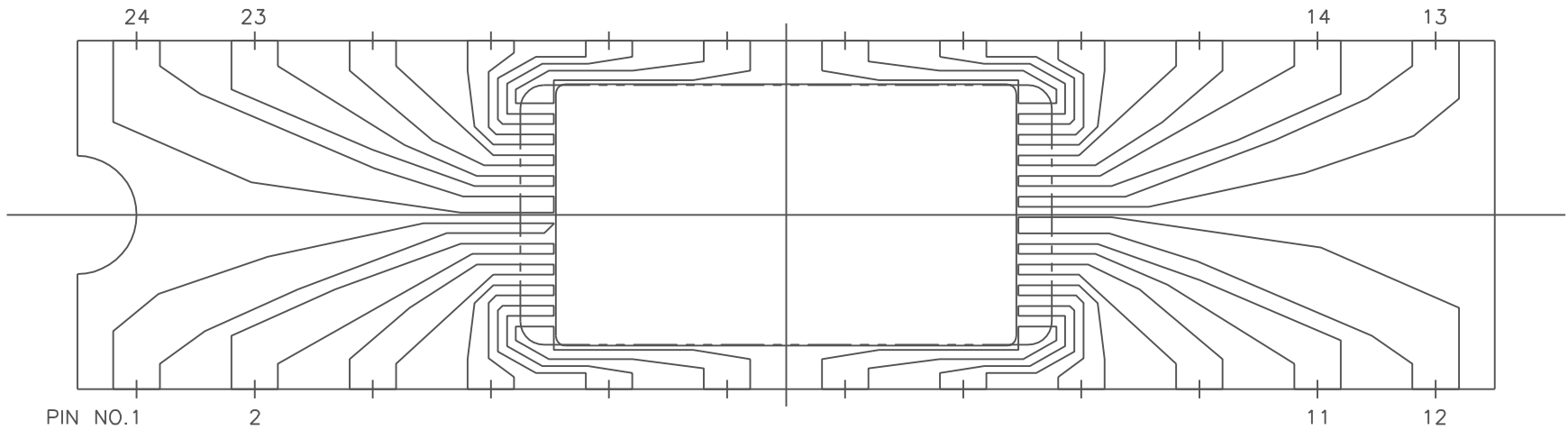


MODIFICATION						NAME	TOLERANCE	DRAWN	CHECKED	APPROVED	DATE
						24 LEAD SIDE BRAZED PACKAGE	UNLESS OTHERWISE SPECIFIED	K.I	K.O	K.M	AUG.23.'88
						SCALE 10/1					
						MATERIAL	THIRD ANGLE PROJECTION				
B	REDRAWN : CONVERTED CAD DATA. CHANGED	MAY.7.'01	T.S./H.K	SH.K/S.NI	H.SA	KYOCERA CORPORATION KYOTO JAPAN	DRAWING NO. KD-S86789-B	SHEET 2/5			
		DATE	DRAWN	CHECKED	APPROVED						




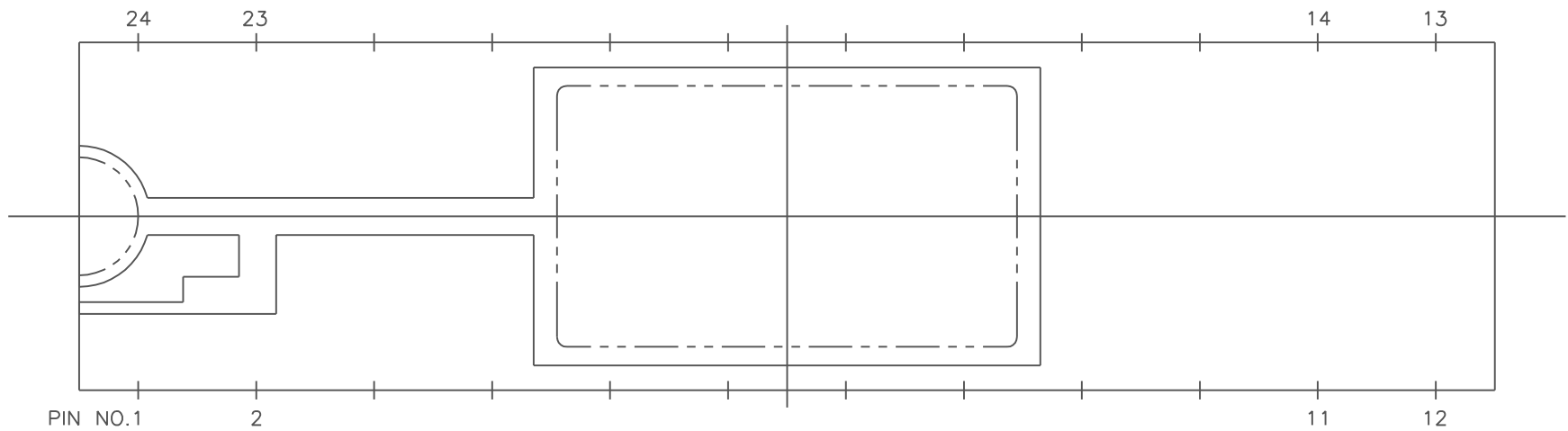
MP-1

MODIFICATION						NAME 24 LEAD SIDE BRAZED PACKAGE	TOLERANCE UNLESS OTHERWISE SPECIFIED	DRAWN K.I	CHECKED K.O	APPROVED K.M	DATE DEC.12.'80
						SCALE 10/1	MATERIAL				
							THIRD ANGLE PROJECTION				
	REDRAWN : CONVERTED CAD DATA. ADDED : THIS SHEET. CHANGED	MAY.7.'01	T.S/H.K	SH.K/S.NI	H.SA	 KYOCERA CORPORATION KYOTO JAPAN	DRAWING NO.		KD-S86789-B		SHEET 3/5
		DATE	DRAWN	CHECKED	APPROVED						



MP-2

MODIFICATION						NAME 24 LEAD SIDE BRAZED PACKAGE	TOLERANCE UNLESS OTHERWISE SPECIFIED	DRAWN K.I	CHECKED K.O	APPROVED K.M	DATE DEC.12.'80
						SCALE 10/1	MATERIAL				
							THIRD ANGLE PROJECTION				
	REDRAWN : CONVERTED CAD DATA. CHANGED	MAY.7.'01	T.S/H.K	SH.K/S.NI	H.SA	 KYOCERA CORPORATION KYOTO JAPAN	DRAWING NO.	KD-S86789-B		SHEET	4/5
		DATE	DRAWN	CHECKED	APPROVED						



MP-3

MODIFICATION						NAME 24 LEAD SIDE BRAZED PACKAGE	TOLERANCE UNLESS OTHERWISE SPECIFIED	DRAWN K.I	CHECKED K.O	APPROVED K.M	DATE DEC.12.'80
						SCALE 10/1	MATERIAL				
							THIRD ANGLE PROJECTION				
	△ REDRAWN : CONVERTED CAD DATA. CHANGED	MAY.7.'01	T.S/H.K	SH.K/S.NI	H.SA	 KYOCERA CORPORATION KYOTO JAPAN	DRAWING NO.		KD-S86789-B		SHEET 5/5
		DATE	DRAWN	CHECKED	APPROVED						