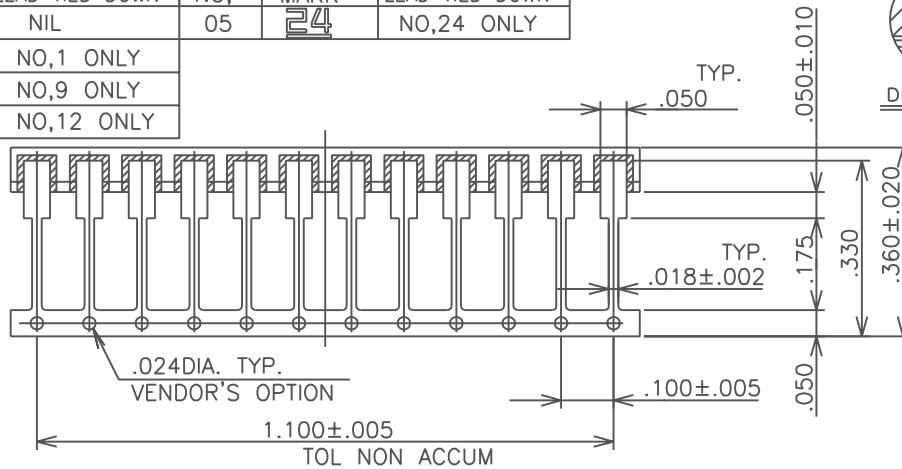


PART NO.	INDEX MARK	LEAD TIED DOWN	PART NO.	INDEX MARK	LEAD TIED DOWN
01	WITHOUT	NIL	05	24	NO,24 ONLY
02	1	NO,1 ONLY			
03	9	NO,9 ONLY			
04	12	NO,12 ONLY			



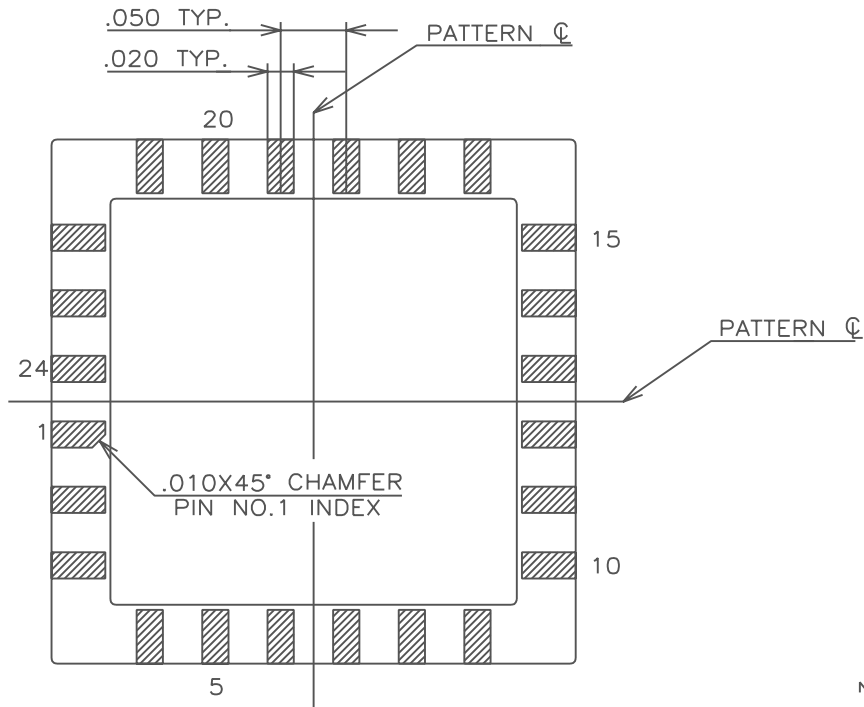
DETAIL - A

VENDOR'S OPTION



SB0241382-5	S=0 D=2
SB0241382-4	S=12 D=12
SB0241382-3	S=9 D=9
SB0241382-2	S=1 D=1
SB0241382-1	S=0 D=0

MODIFICATION	NAME					TOLERANCE UNLESS OTHERWISE SPECIFIED	DRAWN	CHECKED	APPROVED	DATE
	24 LEAD SIDE BRAZED PACKAGE									
	SCALE 4 / 1					±.005 THIRD ANGLE PROJECTION				SEP.11.7
	MATERIAL AS INDICATED									
△	REDRAWN (CONVERTED CAD DATA)									
	CHANGED									
	AUG.21.'93	H.SH	H.SU	S.F	T.A					
	DATE	DRAWN	CHECKED	APPROVED						
	KYOCERA					KYOCERA CORPORATION KYOTO JAPAN		DRAWING NO.		SHEET
						KD-78382-G				1/2



BONDING PATTERN

NOTES

1. PLATING THICKNESS TO BE PER CUSTOMER'S SPECIFICATION.
2. SEAL AREA TO BE METALLIZED.
3. DIE ATTACH AREA TO BE METALLIZED.
4. LEAD RESISTANCE: 0.30 OHM MAX.

MODIFICATION						NAME	TOLERANCE	DRAWN	CHECKED	APPROVED	DATE
						24 LEAD SIDE BRAZED PACKAGE	UNLESS OTHERWISE SPECIFIED	H.SH	H.SU S.F	T.A	AUG.21.93
						SCALE 10/1	MATERIAL				
							THIRD ANGLE PROJECTION				
	CHANGED	DATE	DRAWN	CHECKED	APPROVED		KYOCERA CORPORATION KYOTO JAPAN	DRAWING NO.	KD-78382-G		SHEET 2/2