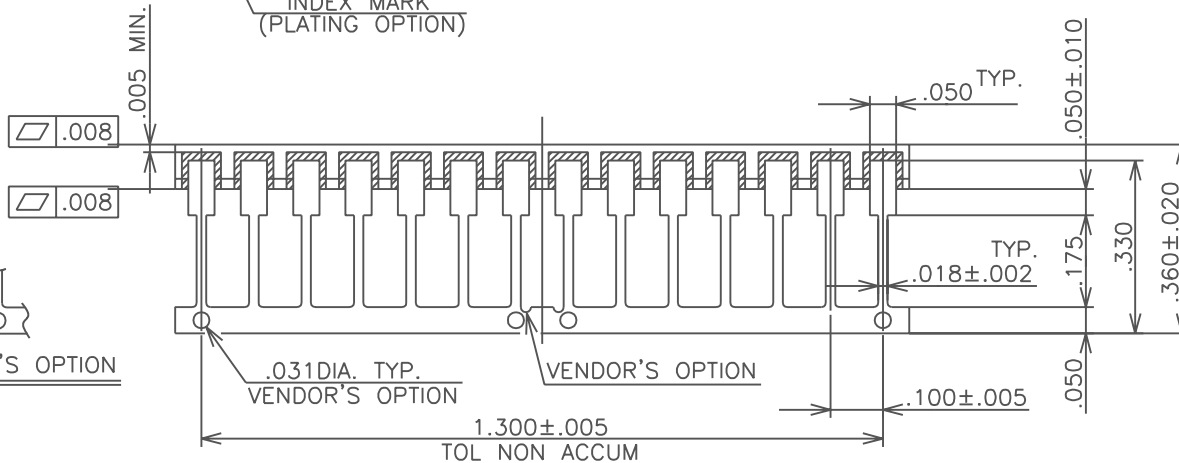


DETAIL-A

NOTES :

1. PLATING THICKNESS TO BE PER CUSTOMER'S SPECIFICATION.
2. LEAD RESISTANCE : 0.3 OHM MAX.
3. SEAL AREA TO BE METALLIZED.
4. DIE ATTACH AREA TO BE METALLIZED.
5. SEAL RING AND DIE ATTACH TO BE FLOATING FROM ANY PINS.



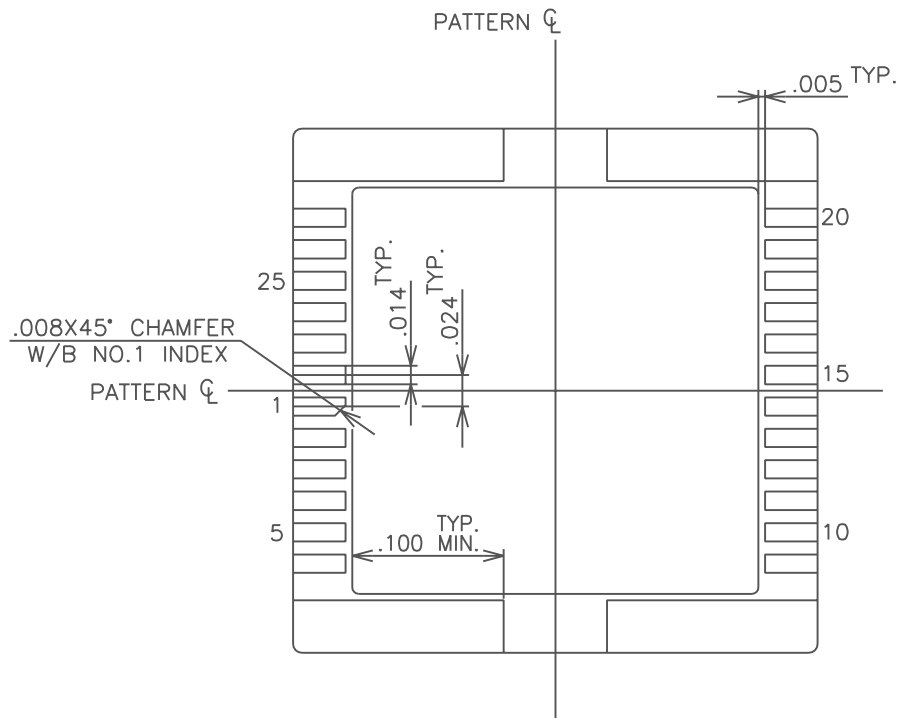
VENDOR'S OPTION

SB028L533-1 S=0 D=0

MODIFICATION	NAME 28 LEAD SIDE BRAZED PACKAGE				TOLERANCE UNLESS OTHERWISE SPECIFIED		DRAWN	CHECKED	APPROVED	DATE
	SCALE 4 / 1				MATERIAL AS INDICATED		K.I	K.O	M.M/T.A	JUN.18.'87
REDRAWN : CONVERTED CAD DATA. ADDED : SHEET 3/5				DATE	T.S/H.K	S.K/S.NI	H.SA	DRAWING NO.		SHEET
CHANGED				DATE	DRAWN	CHECKED	APPROVED	KD-S81533-E		1 / 5

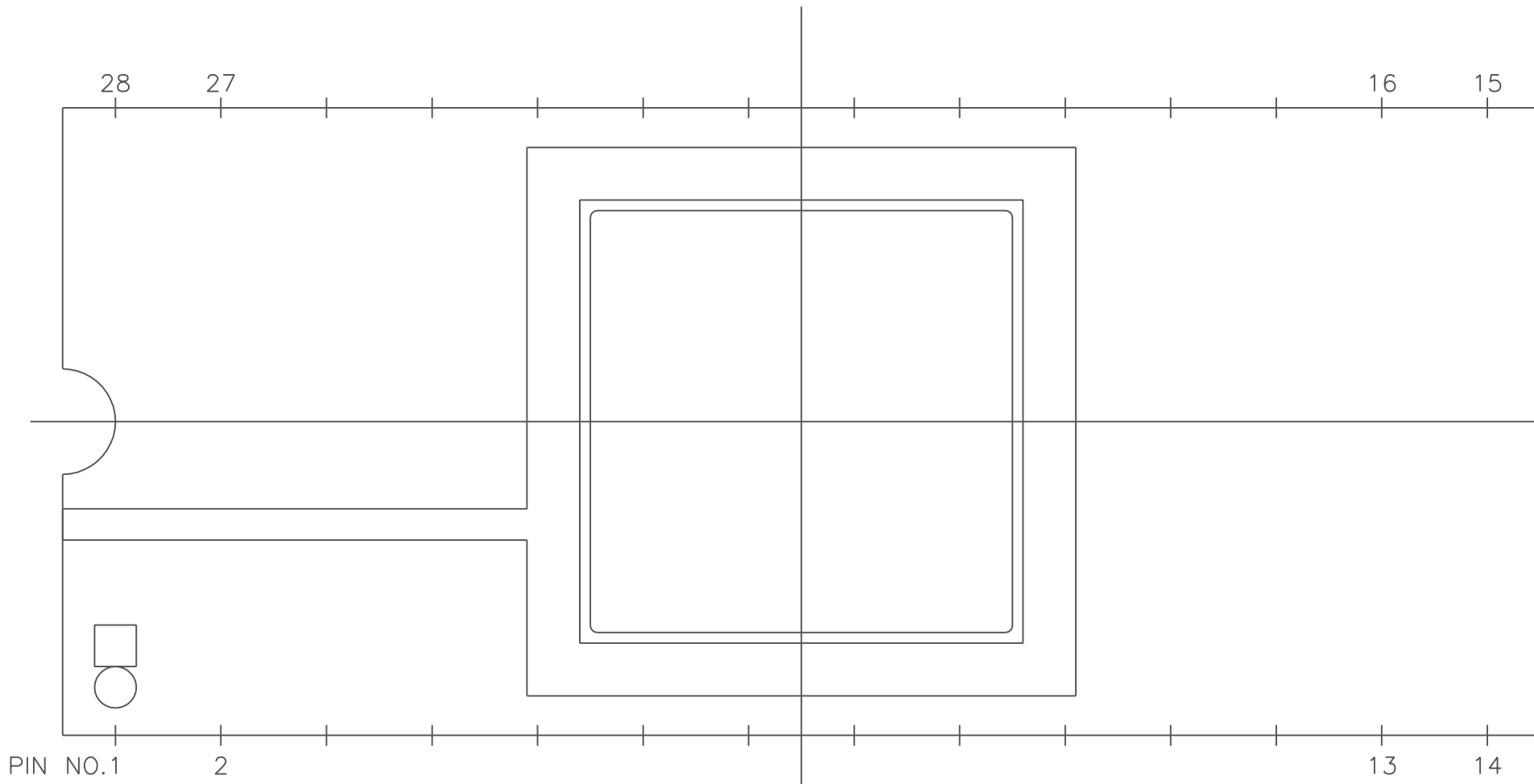


KYOCERA CORPORATION
KYOTO JAPAN



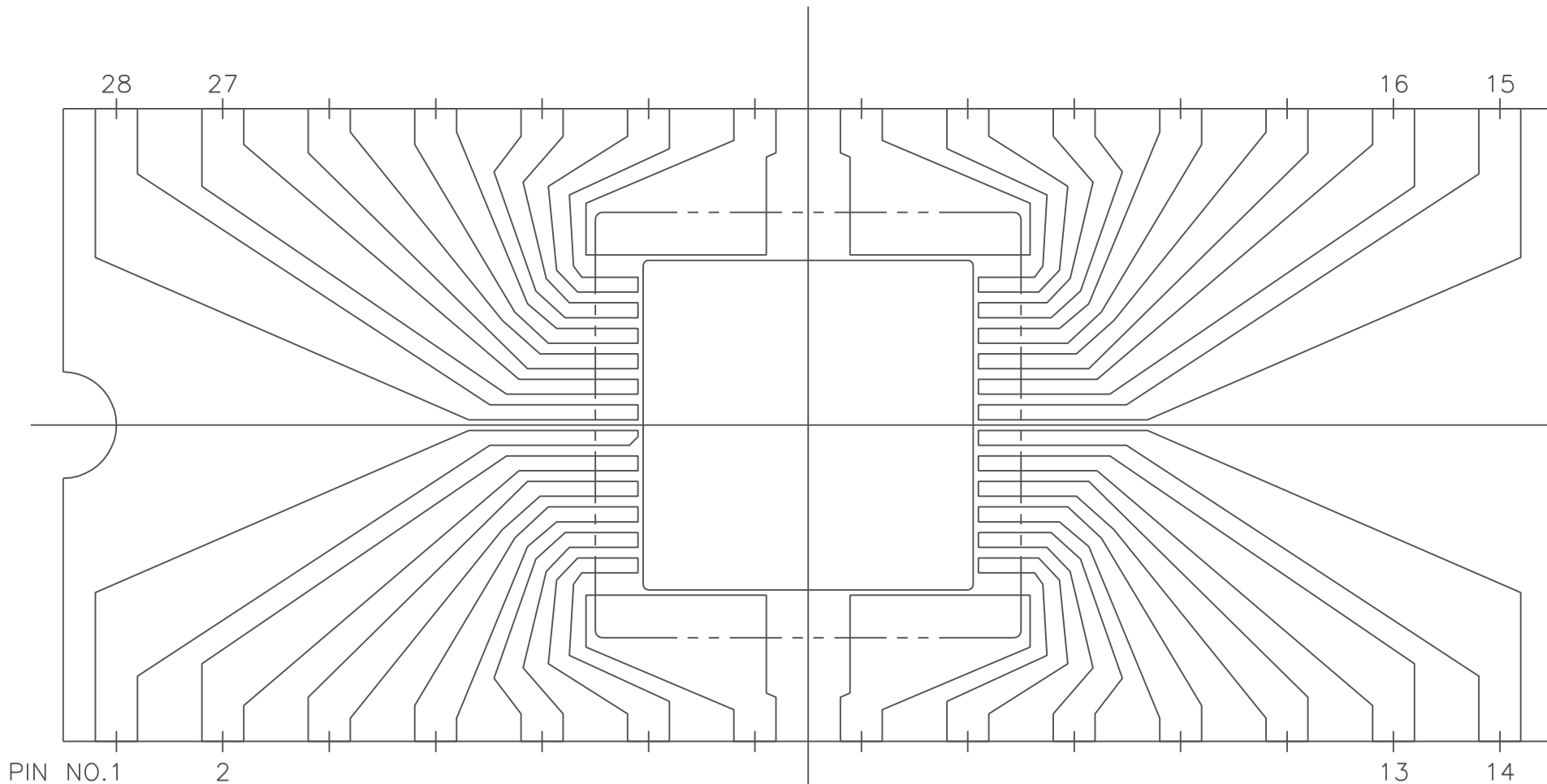
BONDING PATTERN

MODIFICATION						NAME	TOLERANCE	DRAWN	CHECKED	APPROVED	DATE
						28 LEAD SIDE BRAZED PACKAGE	UNLESS OTHERWISE SPECIFIED	K.I	K.O	M.M/T.A	JUN.18.'87
						SCALE 10 / 1					
						MATERIAL	THIRD ANGLE PROJECTION				
△	REDRAWN : CONVERTED CAD DATA. CHANGED	MAR.19.'01	T.S/H.K	S.K/S.NI	H.SA	KYOCERA CORPORATION KYOTO JAPAN		DRAWING NO.			SHEET
		DATE	DRAWN	CHECKED	APPROVED		KD-S81533-E	2 / 5			



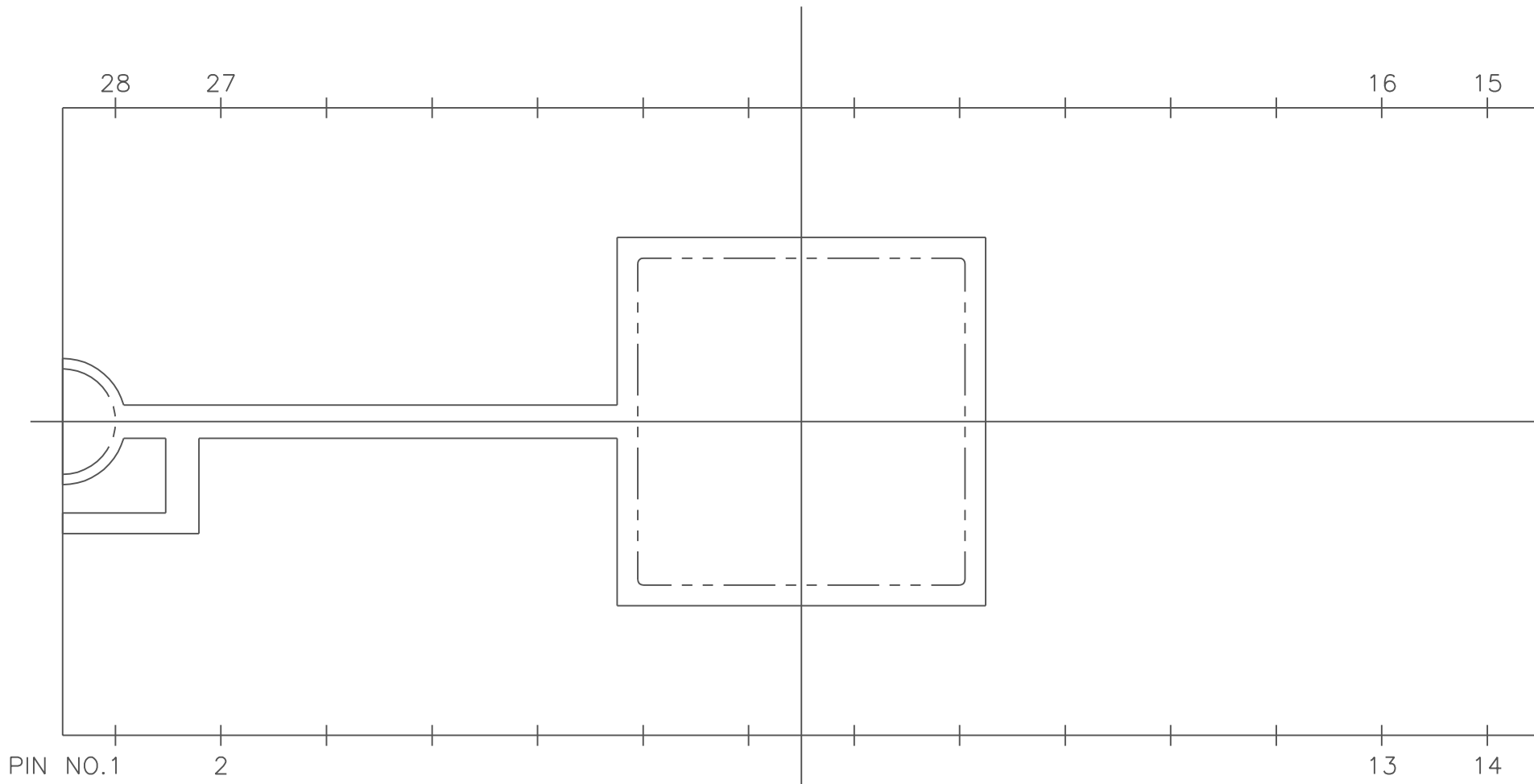
MP-1

MODIFICATION						NAME	TOLERANCE	DRAWN	CHECKED	APPROVED	DATE
						28 LEAD SIDE BRAZED PACKAGE	UNLESS OTHERWISE SPECIFIED	K.I	K.O	M.M/T.A	JUN.18.'87
						SCALE 10/1	MATERIAL				
							THIRD ANGLE PROJECTION				
△	ADDED : THIS SHEET	MAR.19.'01	T.S/H.K	S.K/S.NI	H.SA		KYOCERA CORPORATION KYOTO JAPAN	DRAWING NO.		3/5	
	CHANGED	DATE	DRAWN	CHECKED	APPROVED			KD-S81533-E			



MP-2

MODIFICATION						NAME	TOLERANCE	DRAWN	CHECKED	APPROVED	DATE
						28 LEAD SIDE BRAZED PACKAGE	UNLESS OTHERWISE SPECIFIED	K.I	K.O	M.M/T.A	JUN.18.'87
						SCALE 10/1	MATERIAL				
							THIRD ANGLE PROJECTION				
△	REDRAWN : CONVERTED CAD DATA. CHANGED	WAR.19.'01	T.S/H.K	S.K/S.NI	H.SA						
		DATE	DRAWN	CHECKED	APPROVED		KYOCERA CORPORATION KYOTO JAPAN	DRAWING NO.		SHEET	
								KD-S81533-E		4/5	



MP-3

MODIFICATION						NAME	TOLERANCE	DRAWN	CHECKED	APPROVED	DATE
						28 LEAD SIDE BRAZED PACKAGE	UNLESS OTHERWISE SPECIFIED	K.I	K.O	M.M/T.A	JUN.18.'87
						SCALE 10/1	MATERIAL				
							THIRD ANGLE PROJECTION				
△	REDRAWN : CONVERTED CAD DATA.	MAR.19.'01	T.S/H.K	S.K/S.NI	H.SA		KYOCERA CORPORATION KYOTO JAPAN	DRAWING NO.		KD-S81533-E	SHEET 5/5
	CHANGED	DATE	DRAWN	CHECKED	APPROVED						