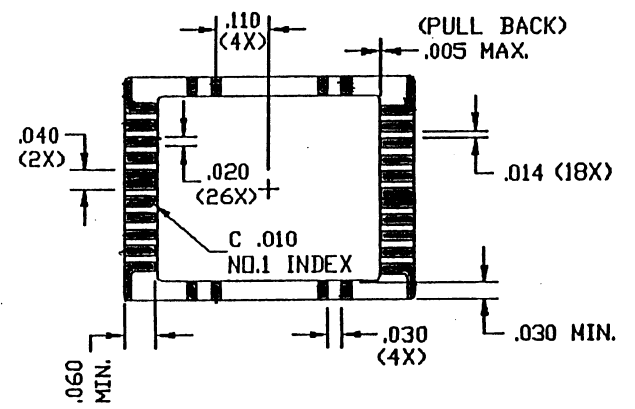
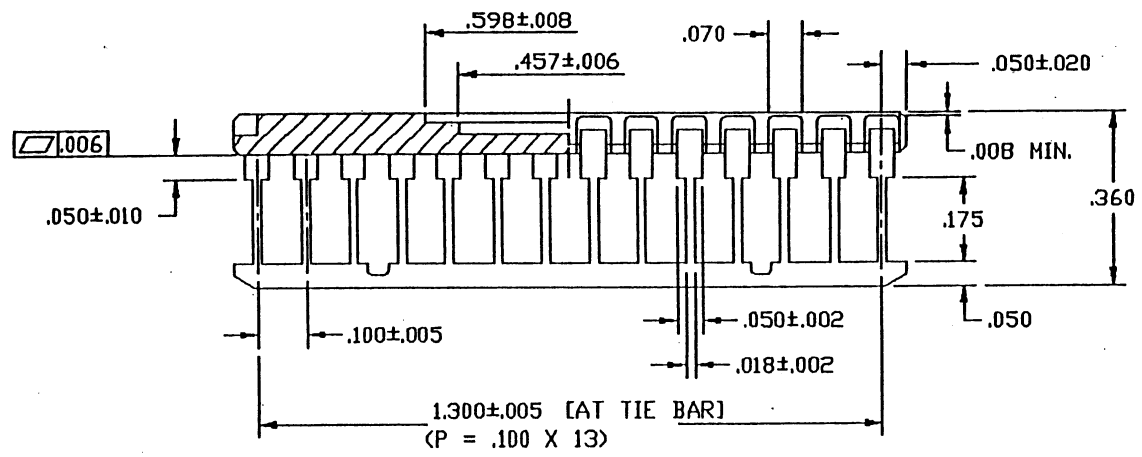
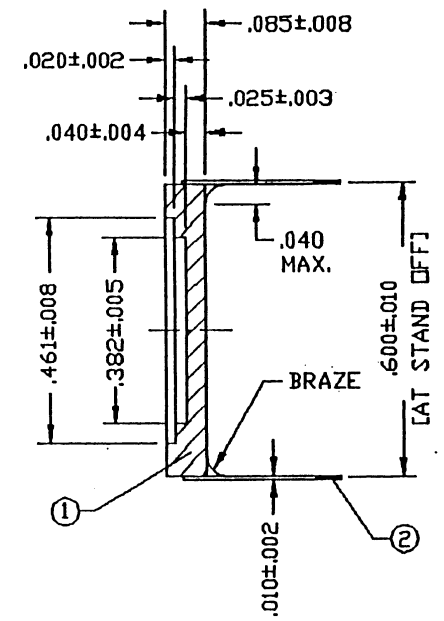
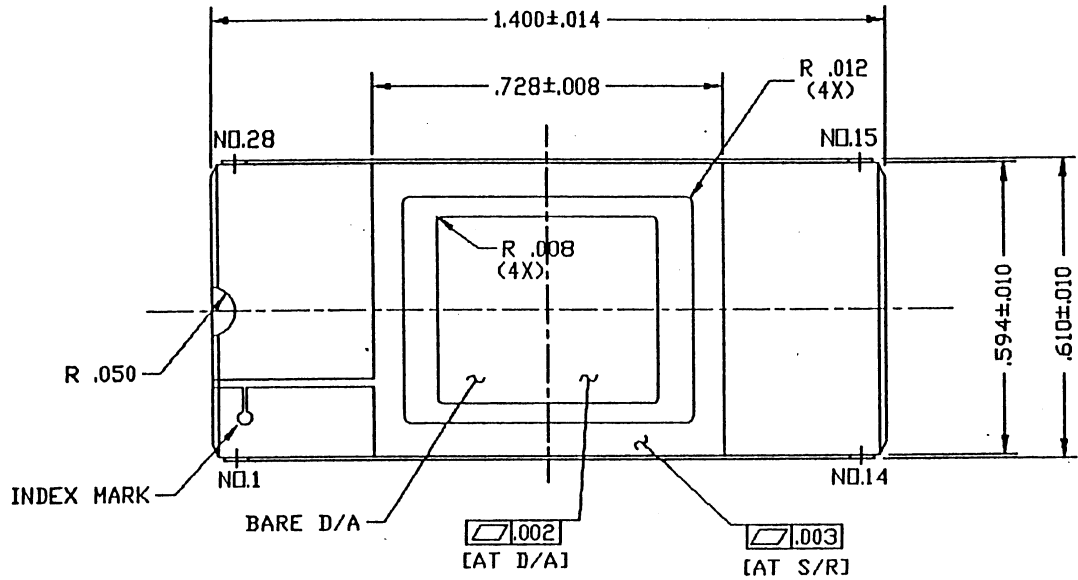


REVISIONS					
ZONE	REV	ECN	DESCRIPTION	DATE	APPROVED
	XX	76B	NEW RELEASE	07/22/94	



NOTES:

1. GOLD PLATE 80 μ INCHES MIN. OVER 80 μ INCHES MIN. NICKEL.
2. NO LEAD TO BE ELECTRICALLY CONNECTED TO DIE ATTACH PAD. SEAL RING ISOLATED.
3. LEAD RESISTANCE: 800 mΩ MAX.

CSB02802

UNLESS OTHERWISE SPECIFIED		DESIGNED BY	DATE
ALL DIMENSIONS ARE IN INCHES STANDARD TOLERANCES UNLESS OTHERWISE SPECIFIED		HTN	07/22/94
MATERIAL		APPROVED BY	DATE
FINISH		APPROVED BY	DATE
TITLE		PART NO.	
C		BSB2861	
SCALE 5 X		DWG NO.	
		51-20256	
		REV	
		XX	
		SHEET 1 OF 1	