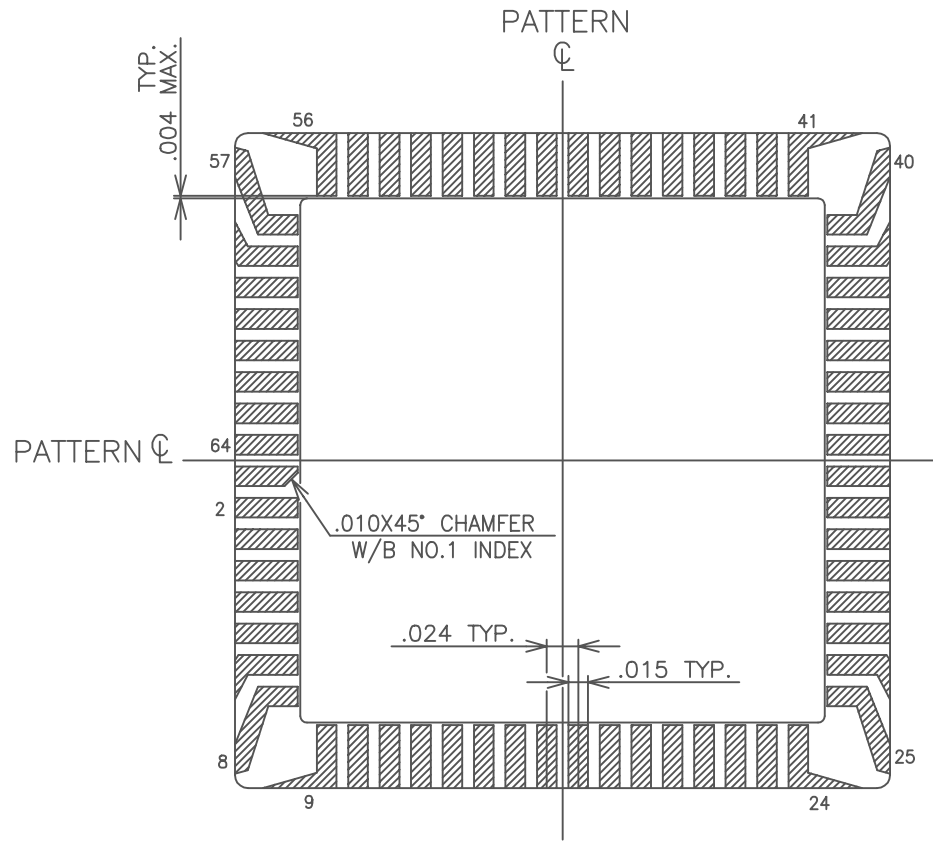


					NAME	64 LEAD SIDE BRAZED PACKAGE		TOLERANCE	SB064N665-1 S=0 D=0			
								UNLESS OTHERWISE SPECIFIED	DRAWN	CHECKED	APPROVED	DATE
					SCALE	3 / 1		MATERIAL	M.M	K.M		NOV.9.'83
								AS INDICATED				
								±.005				
								THIRD ANGLE PROJECTION				
MODIFICATION	△	REDRAWN : CONVERTED CAD DATA.	AUG.09.'00	H.K	H.TA/S.NI	H.SA	KYOCERA CORPORATION		DRAWING NO.		SHEET	
		CHANGED	DATE	DRAWN	CHECKED	APPROVED	KYOTO JAPAN		KD-S83665-A		1 / 2	



NOTES:

1. PLATING THICKNESS TO BE PER CUSTOMER'S SPECIFICATION.
2. SEAL AREA TO BE METALLIZED.
3. DIE ATTACH AREA TO BE METALLIZED.
4. SEAL RING AND DIE ATTACH PAD TO BE FLOATING FROM ANY PINS.
5. LEAD RESISTANCE : 0.35 OHM MAX.

BONDING PATTERN

MODIFICATION						NAME	TOLERANCE	DRAWN	CHECKED	APPROVED	DATE
						64 LEAD SIDE BRAZED PACKAGE	UNLESS OTHERWISE SPECIFIED	M.M	K.M		NOV.10.'83
						SCALE 10 / 1	MATERIAL				
							THIRD ANGLE PROJECTION				
△	REDRAWN : CONVERTED CAD DATA.	AUG.09.'00	H.K	H.TA/S.NI	H.SA		KYOCERA CORPORATION KYOTO JAPAN	DRAWING NO.		KD-S83665-A	SHEET 2 / 2
	CHANGED	DATE	DRAWN	CHECKED	APPROVED						