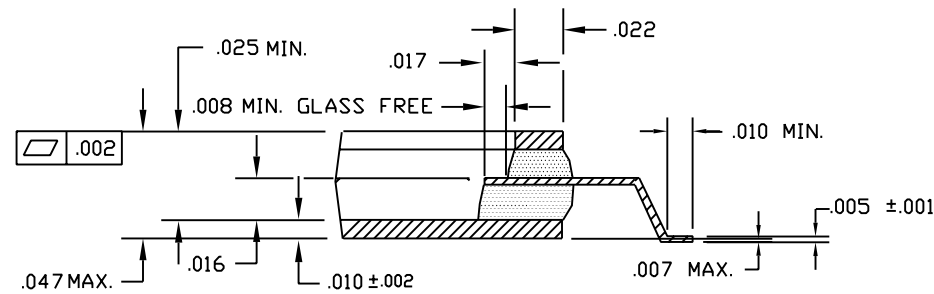
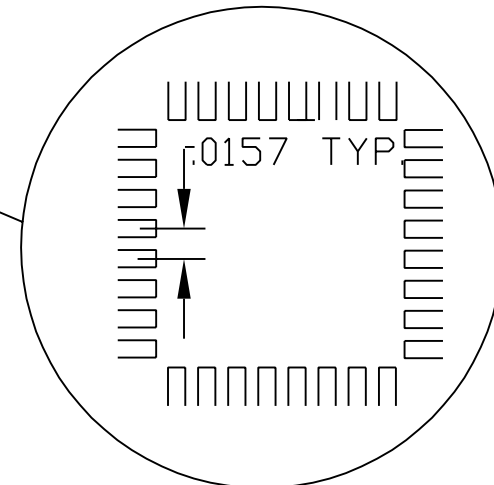
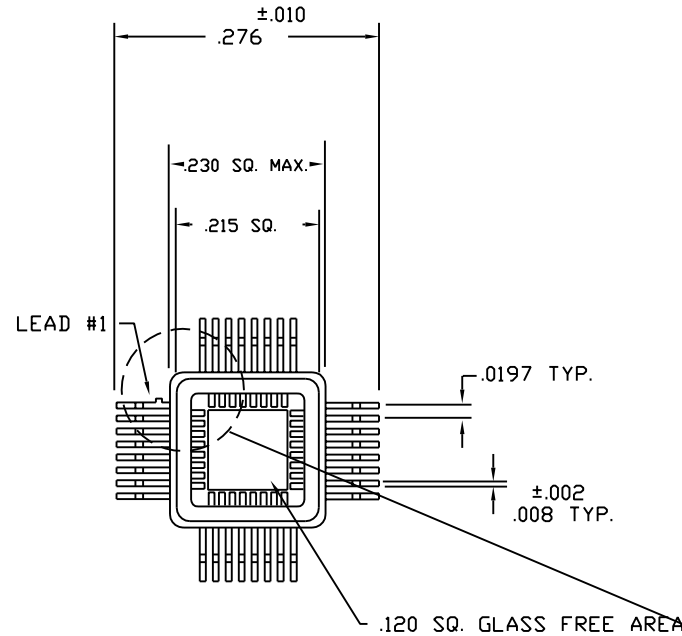


ECN	REV.	DESCRIPTION	DATE	APP'D:
108	-	INITIAL RELEASE	11-14-97	



NOTES:

- 1.) MATERIAL: SEAL RING - F-15 ALLOY
- BASE - F-15 ALLOY
- LEADS - F-15 ALLOY
- GLASS - 7052 WITH 25% AL/LOAD

SPECTRUM
www.spectrum-semi.com Phone: 408.435.5555 Fax: 408.435.8226

TITLE: 32 LEAD GLASS FLATPACK
.215 SQ.

MATERIAL: SEE NOTES	SCALE: NONE	DRAWN BY: DCT
WHERE USED:	DATE: 11-14-97	APP'D: DCT
GEN. TOL.: XX $\pm .010$ XXX $\pm .005$ FRAC. $\pm 1/64$ ANGLES $\pm 1/2$	DWG. NO.: GW2121M-3	REV.: -