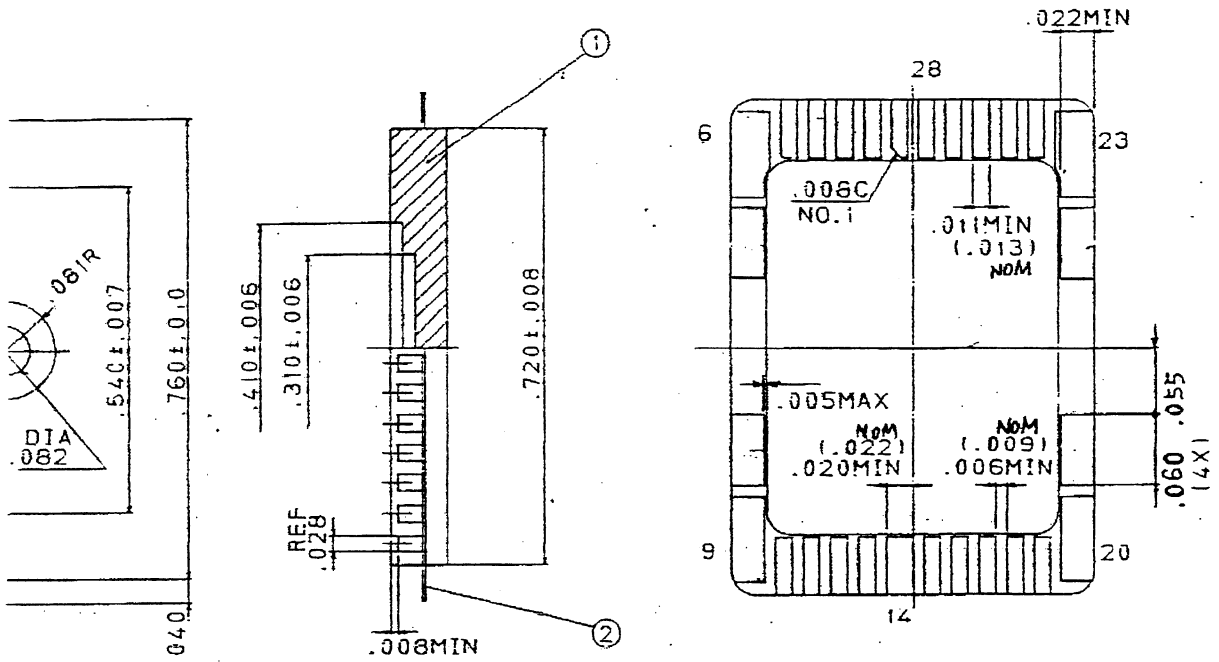
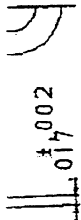
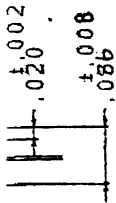


MOCK DWG CCF02817



- NOTES: 1. GOLD PLATE 60 $\mu$  INCHES MIN OVER 80 $\mu$  INCHES MIN NICKEL.  
 2. PIN NO. 14 TO BE CONNECTED TO THE DIE ATTACH PAD. SEAL RING ISOLATED.  
 3. LEAD RESISTANCE: 300m $\Omega$  MAX.



**DRAWING FOR APPROVAL**  
 APPROVED BY  
 NTK TECHNICAL CERAMIC DIVISION

②	LEAD	ALLOY 42			
①	CERAMIC	BLACK ALUMINA			
Item	Name	Material	Description	Rev.	Date
UNLESS OTHERWISE SPECIFIED TOLERANCES: $\pm 1\%$ N. L. T. 2 DECIMALS .XX $\pm .01$ 3 DECIMALS .XXX $\pm .005$			DRAWN S. HASEGAWA	A	CHG DWG NO. - 20470 - 20479 3-77
			CHECKED K. Fujikawa	$\phi$	NEW DRAWING - AUG-18-87
CUSTOMER			APPROVED J. Row	NTK TECHNICAL CERAMICS NGK SPARK PLUG CO., LTD	
DWG NO. 74-0204-00			UNIT INCH	TITLE 28PIN F/P	
			SCALE 4/1	DWG NO. IFK28F1-2047D	SIZE A-3