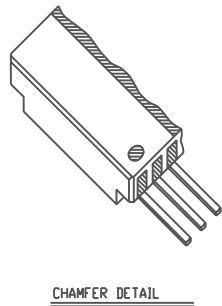
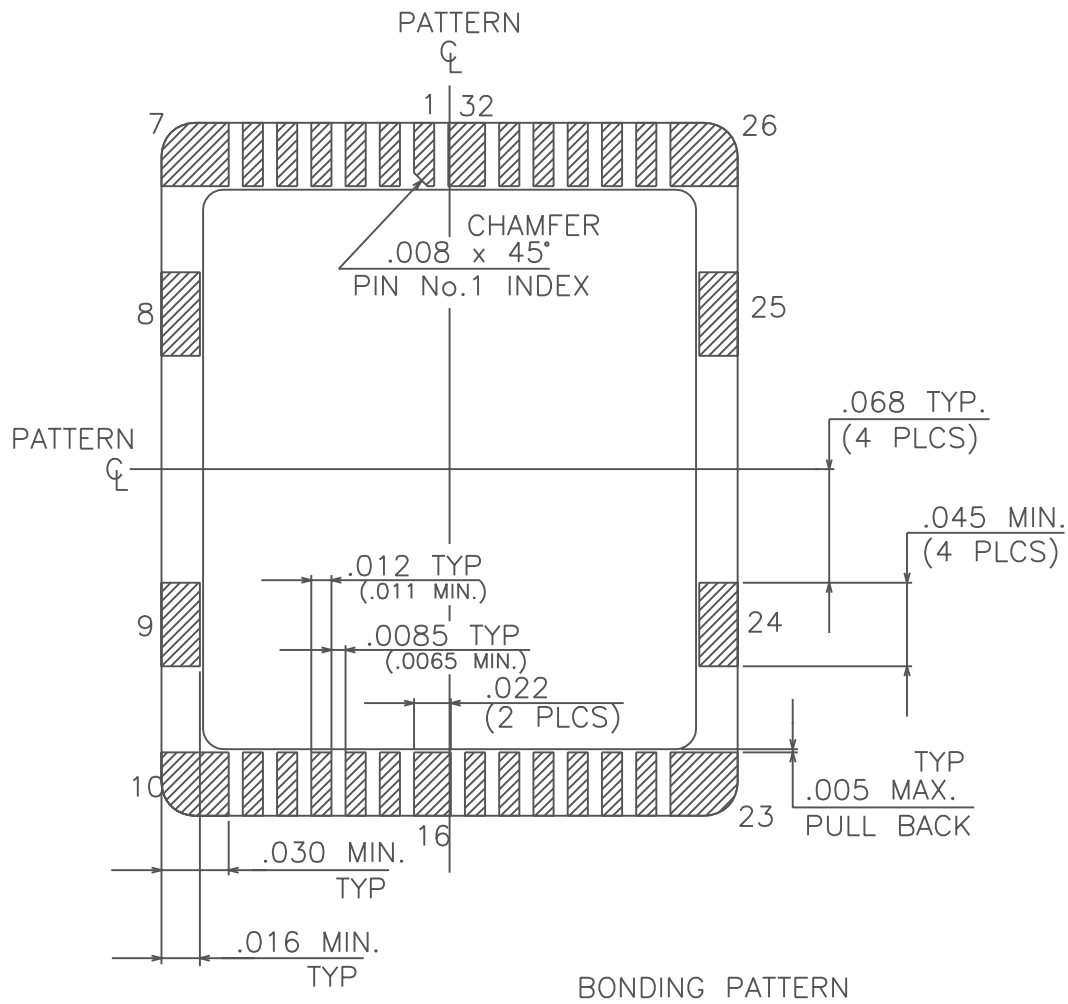


- NOTES
1. PLATING THICKNESS TO BE PER CUSTOMER'S SPECIFICATION.
 2. SEAL AREA TO BE METALLIZED.
 3. DIE ATTACH AREA TO BE METALLIZED.
 4. SEAL RING AND DIE ATTACH PAD TO BE FLOATING FROM ANY PINS.



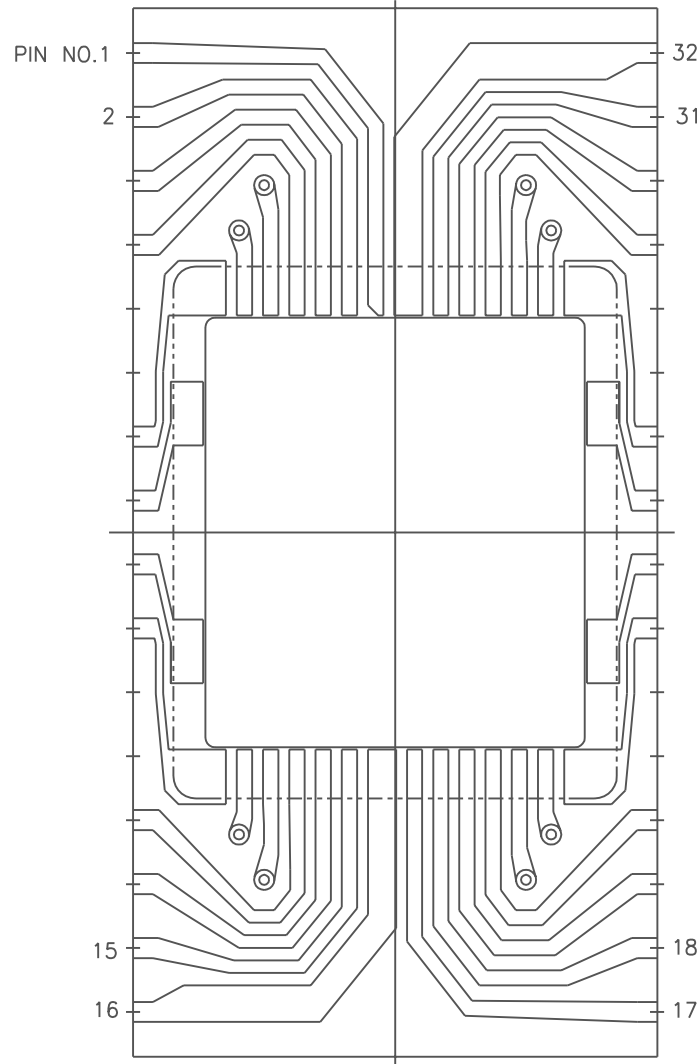
MODIFICATION		NAME		TOLERANCE		DRAWN		CHECKED		APPROVED		DATE	
REDRAWN		32 LEAD FLAT PACKAGE		±.005		S.T.		T.A.		M.K.		JUN.25.90	
REDRAWN		SCALE 5/1		MATERIAL AS INDICATED		S.E.		T.A.		M.K.		JUN.25.90	
CHANGED		DATE DRAWN		DATE CHECKED		DATE APPROVED		DRAWING NO.		SHEET		1/4	
		JUN.25.90 S.E.		JUN.25.90 S.E.		JUN.25.90 S.E.		KYOCERA CORPORATION		KD-F90148-B			
		JUN.25.90 S.E.		JUN.25.90 S.E.		JUN.25.90 S.E.		KYOCERA CORPORATION		KYOTO JAPAN			






MODIFICATION					NAME 32 LEAD FLAT PACKAGE	TOLERANCE UNLESS OTHERWISE SPECIFIED	DRAWN J.V	CHECKED M.S	APPROVED	DATE MAR.8. 90
					SCALE 20/1	MATERIAL				
						THIRD ANGLE PROJECTION				
	CHANGED	DATE	DRAWN	CHECKED	APPROVED	KYOCERA	KYOCERA CORPORATION KYOTO, JAPAN	DRAWING NO. KD-F90148-B		SHEET 2/4

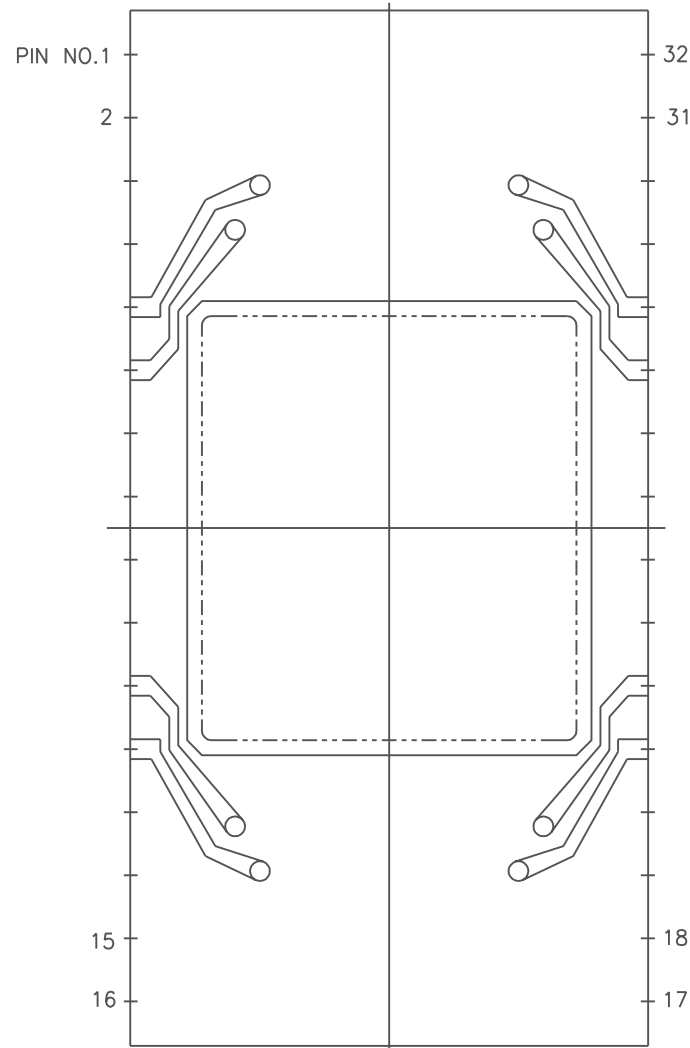




MP-2

MODIFICATION						NAME	TOLERANCE	DRAWN	CHECKED	APPROVED	DATE
						32 LEAD FLAT PACKAGE	UNLESS OTHERWISE SPECIFIED	S.S.E	S.T	M.K	APR.12'90
						SCALE 10/1	MATERIAL	T.A			
								THIRD ANGLE PROJECTION			
	CHANGED	DATE	DRAWN	CHECKED	APPROVED		KYOCERA CORPORATION KYOTO JAPAN	DRAWING NO.		SHEET	
							KD-F90148-B		3/4		





MP-3

MODIFICATION						NAME	TOLERANCE	DRAWN	CHECKED	APPROVED	DATE
						32 LEAD FLAT PACKAGE	UNLESS OTHERWISE SPECIFIED	S.SE	S.T	M.K	APR.12'90
						SCALE 10/1			T.A		
						MATERIAL					
							THIRD ANGLE PROJECTION				
	CHANGED	DATE	DRAWN	CHECKED	APPROVED	KYOCERA	KYOCERA CORPORATION KYOTO JAPAN	DRAWING NO.		SHEET	
								KD-F90148-B		4/4	

