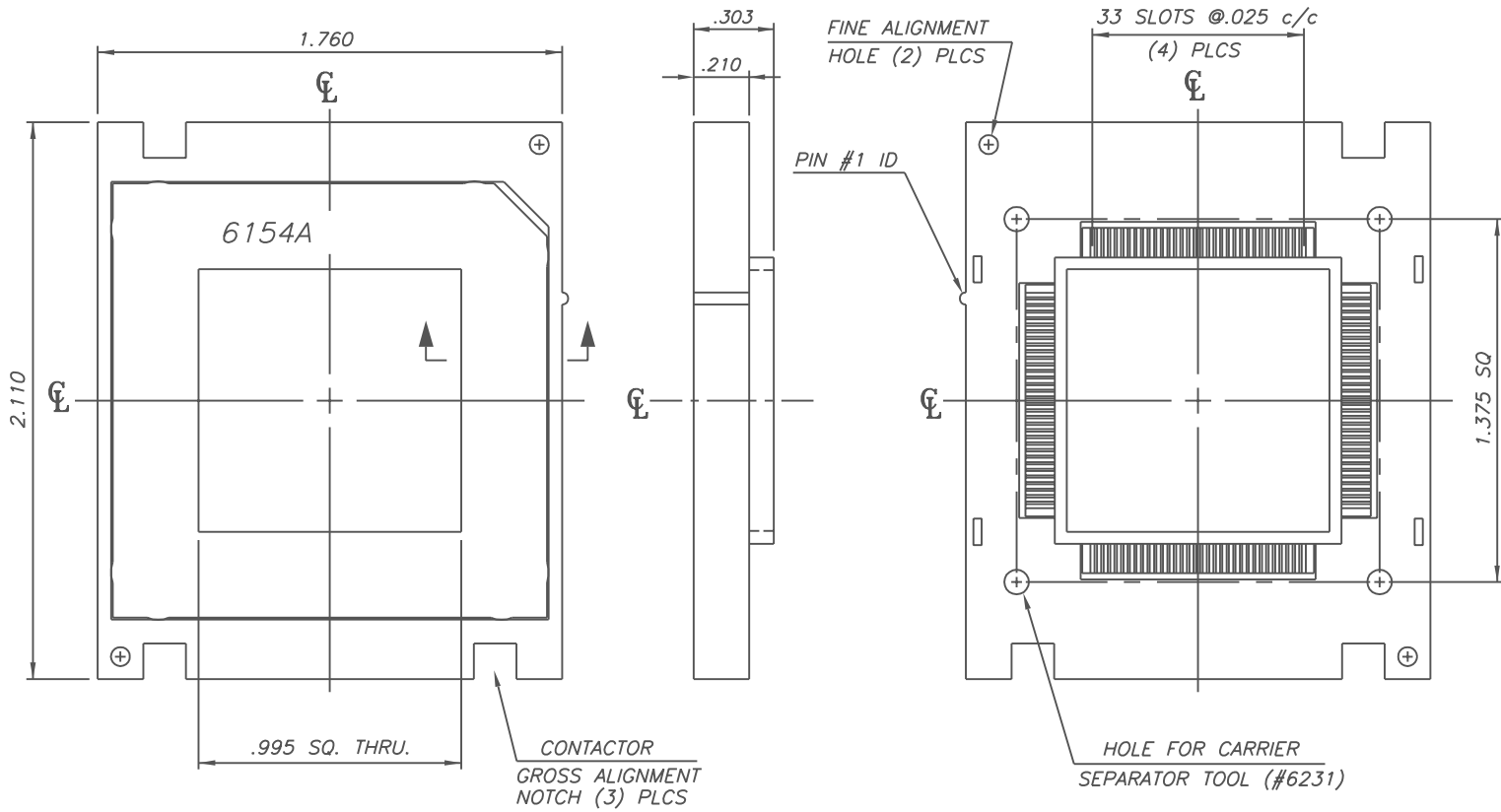


# SSM P/N CAR13202

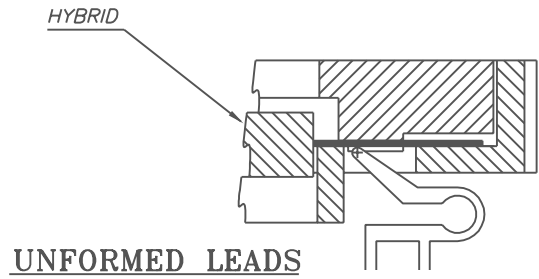
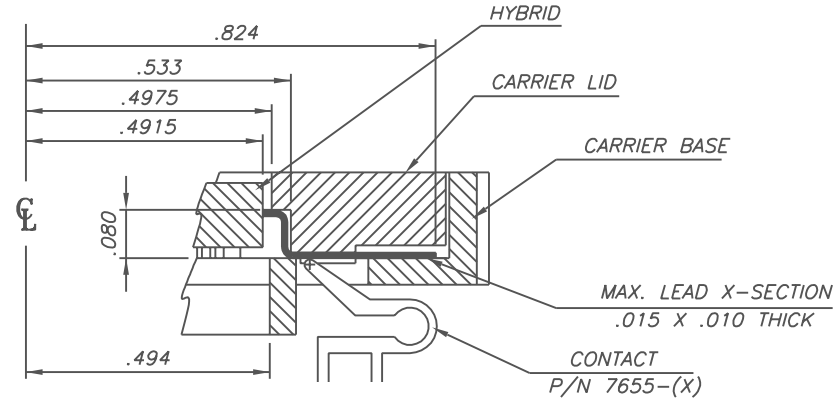
REVISION BLOCK			
LTR	DESCRIPTION	DATE	BY
K	SEE E.O.	6/22/95	RG
L	SEE E.O.	8/2/97	RG



**NOTES:**

- ALL DIMENSIONS ARE ABOUT THE CENTERLINE UNLESS OTHERWISE SPECIFIED.
- MATERIAL: PES.

TOLERANCES UNLESS OTHERWISE SPECIFIED		
DECIMALS	FRACTIONS	ANGLES
±.005	±	± 1°
FILENAME		6154A.DWG
SCALE		NONE
MATERIAL		SEE NOTES
DRAWN BY		RLG 4/11/91
APPROVED		



FORMED LEADS

UNFORMED LEADS

(T)

SSM P/N  
CAR13202  
TITLE CARRIER  
.025 c/c X 132 LDS  
DWG. No. 6154A

