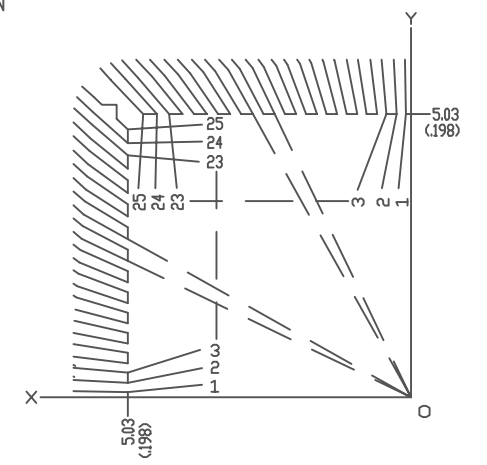


No	ANGLE
1	1.052
2	2.924
3	5.003
4	6.857
5	8.922
6	10.768
7	12.799
8	14.621
9	16.626
10	18.396
11	20.358
12	22.099
13	24.003
14	25.700
15	27.542
16	29.183
17	30.974
18	32.558
19	34.285
20	35.801
21	37.463
22	38.923
23	40.509
24	41.903
25	43.423



NO.	DATE	DESCRIPTION	DRAWN	CHECKED	APPROVED

NAME
100LD QUAD K-PACK 'Z'(9,8SQ)
SCALE
8/1

TOLERANCES:
UNLESS OTHERWISE SPECIFIED

DRAWN
K. UKADA
CHECKED
K. OHTSUKA
APPROVED
Y. TORIHARA
DATE
APR.12'91

KYOCERA CORPORATION

KYOTO JAPAN

DWG No. QC-100365-WZ

CHANGE

DATE DRAWN CHECKED APPROVED