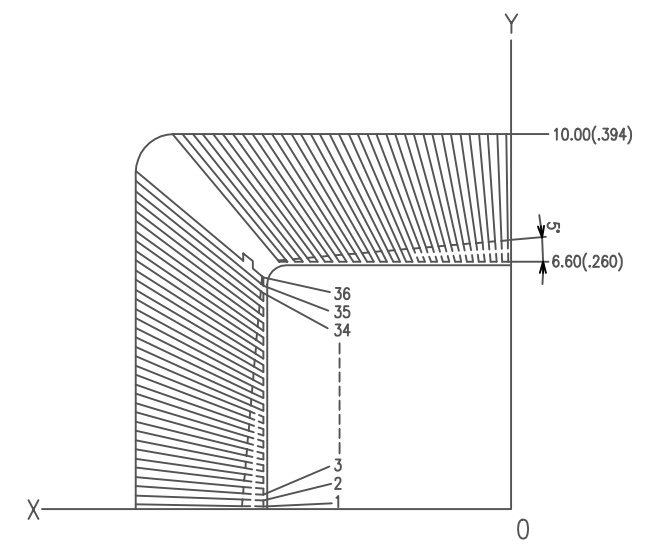
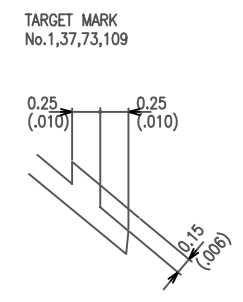


No.	X / Y	No.	X / Y
1	0.075 (.003)	19	2.961 (.117)
2	0.236 (.009)	20	3.138 (.124)
3	0.386 (.015)	21	3.304 (.130)
4	0.547 (.022)	22	3.485 (.137)
5	0.698 (.027)	23	3.655 (.144)
6	0.860 (.034)	24	3.840 (.151)
7	1.011 (.040)	25	4.014 (.158)
8	1.174 (.046)	26	4.203 (.165)
9	1.327 (.052)	27	4.382 (.173)
10	1.491 (.059)	28	4.576 (.180)
11	1.645 (.065)	29	4.759 (.187)
12	1.811 (.072)	30	4.959 (.195)
13	1.967 (.077)	31	5.148 (.203)
14	2.135 (.084)	32	5.353 (.211)
15	2.293 (.090)	33	5.547 (.218)
16	2.463 (.097)	34	5.759 (.227)
17	2.624 (.103)	35	5.959 (.235)
18	2.797 (.110)	36	6.178 (.243)



MODIFICATIONS	DATE	DRAWN	CHECKED	APPROVED

NAME 144LD QUAD K-PACK'Z'(13.0SQ)	TOLERANCES: UNLESS OTHERWISE SPECIFIED	DRAWN	CHECKED
		APPROVED	DATE OCT.23'87
SCALE	MATERIAL	KYOCERA CORPORATION	KYOTO JAPAN
DWG No. QC-144308-WZ			

C H A N G E