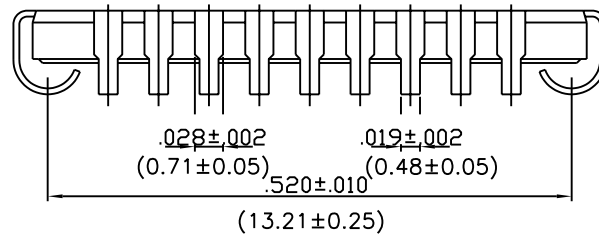
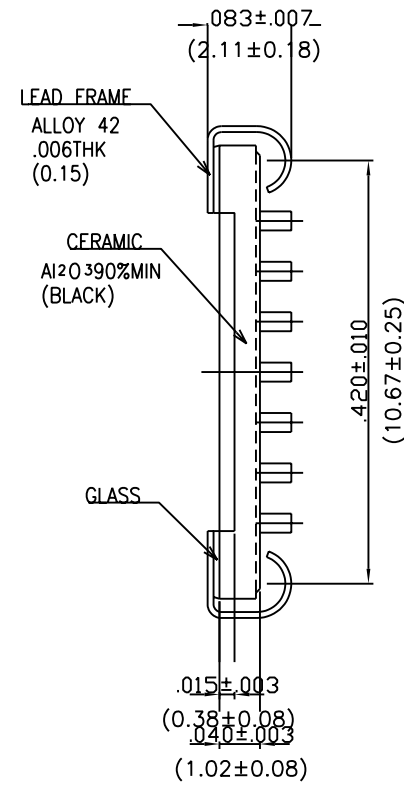
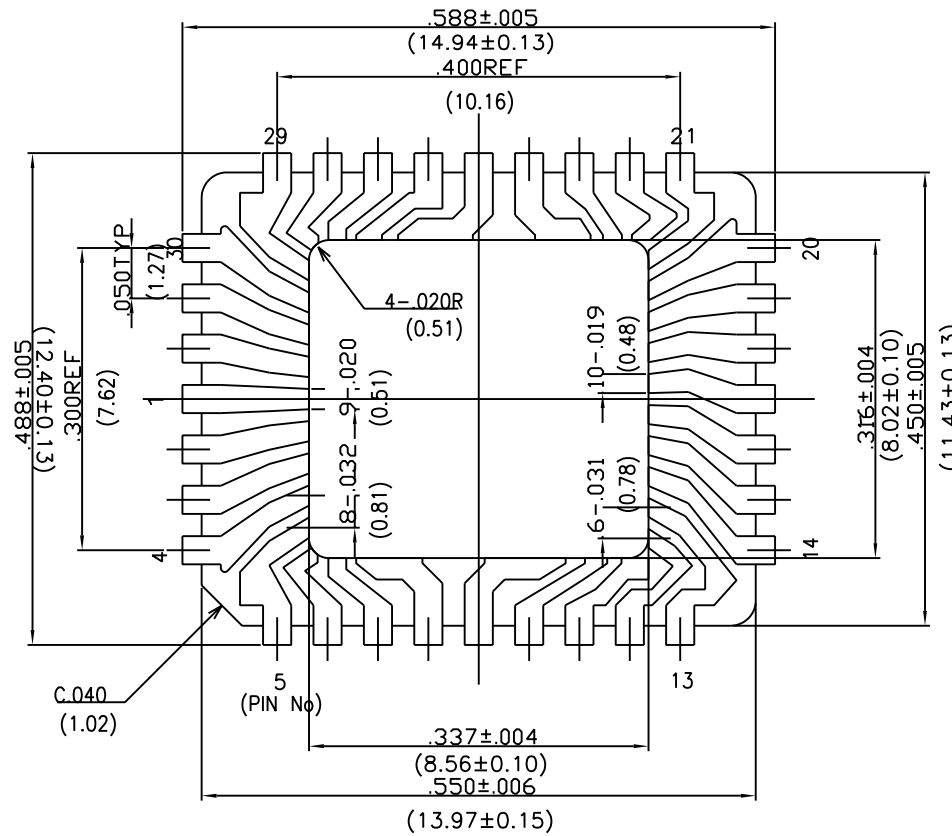


SSM P/N CQJ03205



MODIFICATIONS						NAME	TOLERANCES- UNLESS OTHERWISE SPECIFIED	DRAWN	CHECKED	
						32LD QUAD CERPAC'J'(316X337)		K.OKADA	N.GODA	
						SCALE		MATERIAL	APPROVED	DATE
						8 : 1			N.GODA	DEC.13'88
C H A N G E					DATE	DRAWN	CHECKED	APPROVED	DWG No.	
									QC-032211-J Δ (1/2)	



KYOCERA CORPORATION

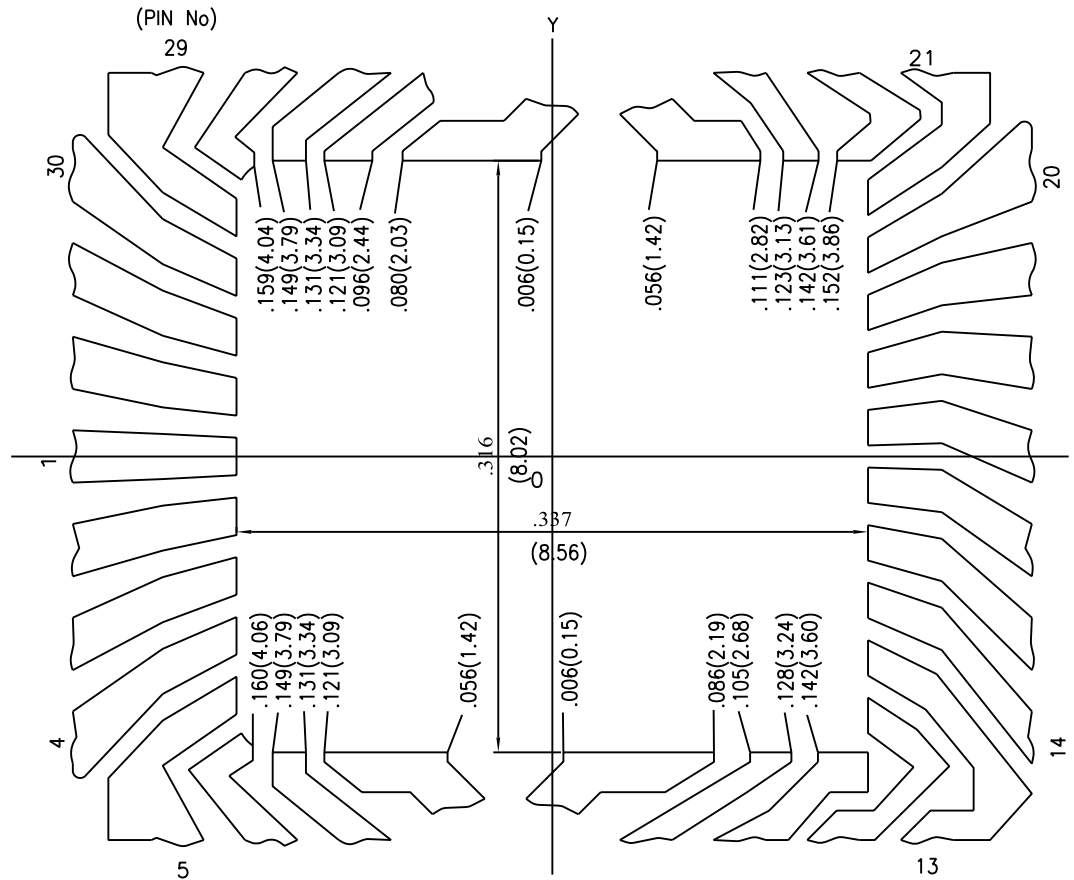
KYOTO
JAPAN

DWG No. QC-032211-J Δ (1/2)



www.spectrum-semi.com Phone: 408.435.5555 Fax: 408.435.8226

SSM P/N CQJ03205



MODIFICATIONS						NAME 32LD QUAD CERPAC'J'(316X337)	TOLERANCES: UNLESS OTHERWISE SPECIFIED	DRAWN K.OKADA	CHECKED N.GODA		
								SCALE 15 : 1	MATERIAL	APPROVED N.GODA	DATE DEC.13'88
C H A N G E		DATE	DRAWN	CHECKED	APPROVED	KYOCERA CORPORATION	KYOTO JAPAN	DWG No. QC-032211-J Δ (2/2)			

