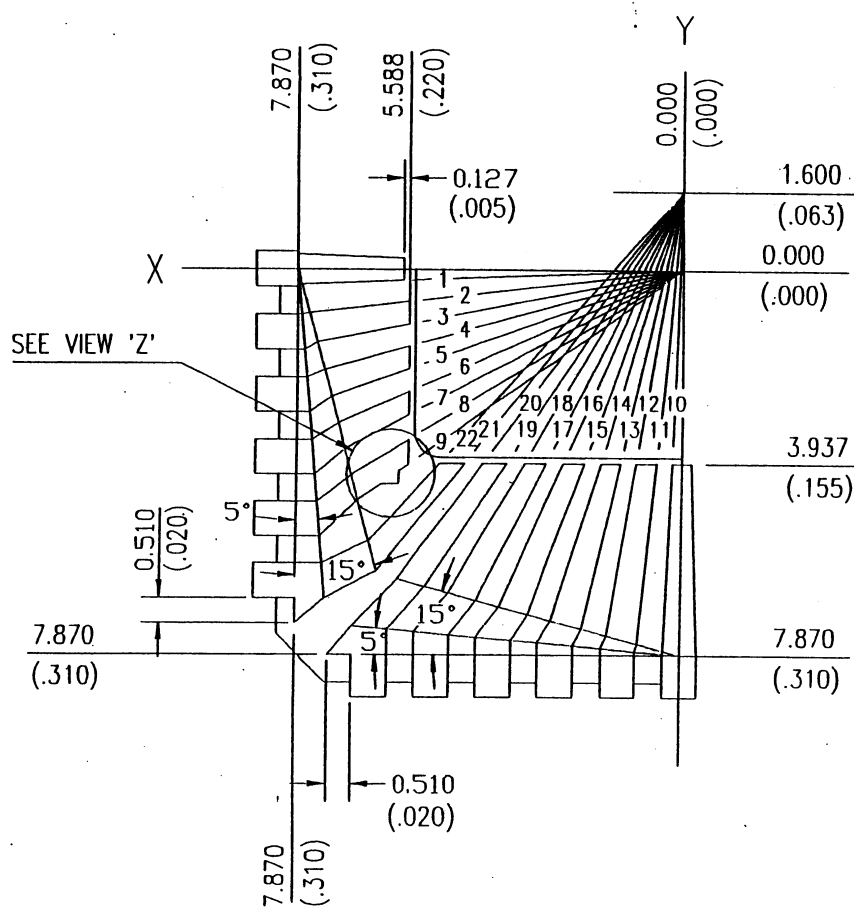




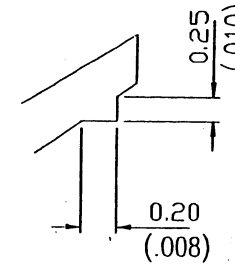
SSM P/N CQJ04420

REVISIONS					
ZONE	REV	ECN	DESCRIPTION	DATE	APPROVED
			SEE SHEET 1		



ϕ (X)	
No.	ANGLE
1	2.200'
2	6.603'
3	11.171'
4	15.493'
5	19.770'
6	23.916'
7	27.852'
8	31.747'
9	35.303'

ϕ (Y)	
No.	ANGLE
10	2.100'
11	5.319'
12	9.505'
13	12.737'
14	16.705'
15	19.791'
16	23.587'
17	26.491'
18	30.075'
19	32.866'
20	36.208'
21	38.715'
22	41.802'



UNLESS OTHERWISE SPECIFIED		DESIGNED BY	DATE			
ALL DIMENSIONS ARE IN INCHES		DRAWN	DATE			
STANDARD TOLERANCES ARE:		CHK BY	DATE			
DIMENSIONS		APPROVED BY	DATE	TITLE 44LD (J) CERQUAD BASE 300 X 430		
ANGLES		APPROVED BY	DATE	SIZE	PART NO.	DWG NO.
MATERIAL		APPROVED BY	DATE	C	CJC444	51-20214
FINISH				SCALE	15/1	REV *A
						SHEET 2 OF 2

