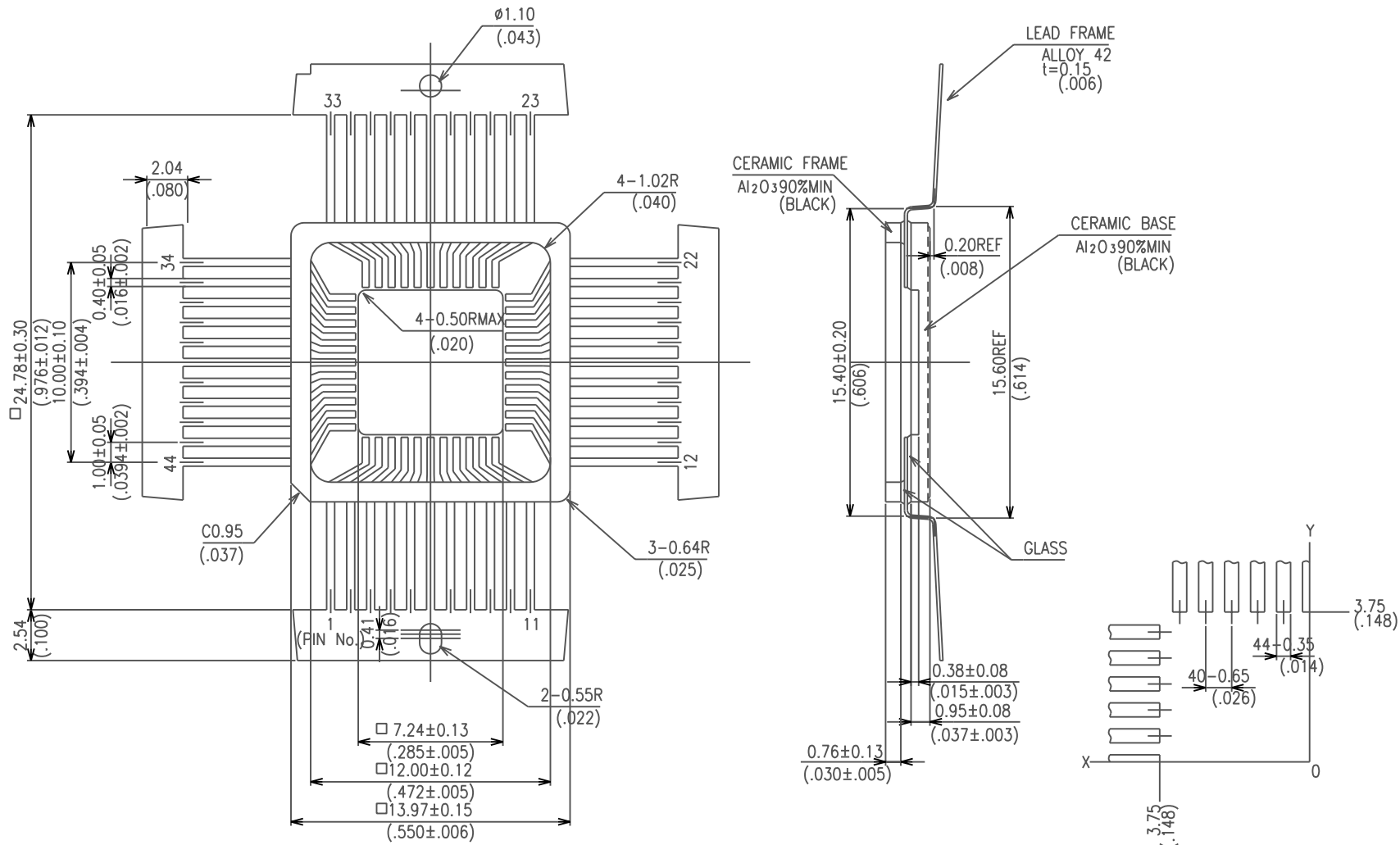


SSM P/N CQZ04406



MODIFICATIONS

NO.	DESCRIPTION	DATE	DRAWN	CHECKED	APPROVED

NAME 44LD QUAD K-PACK Z' (7.24SQ)	
SCALE 5 : 1	MATERIAL

TOLERANCES:
UNLESS OTHERWISE SPECIFIED

DRAWN K.O	CHECKED K.O
APPROVED N.K	DATE MAR. 22 '94

C H A N G E

DATE DRAWN CHECKED APPROVED

KYOCERA CORPORATION

KYOTO JAPAN

DWG No. QC-044318-WZ-1

