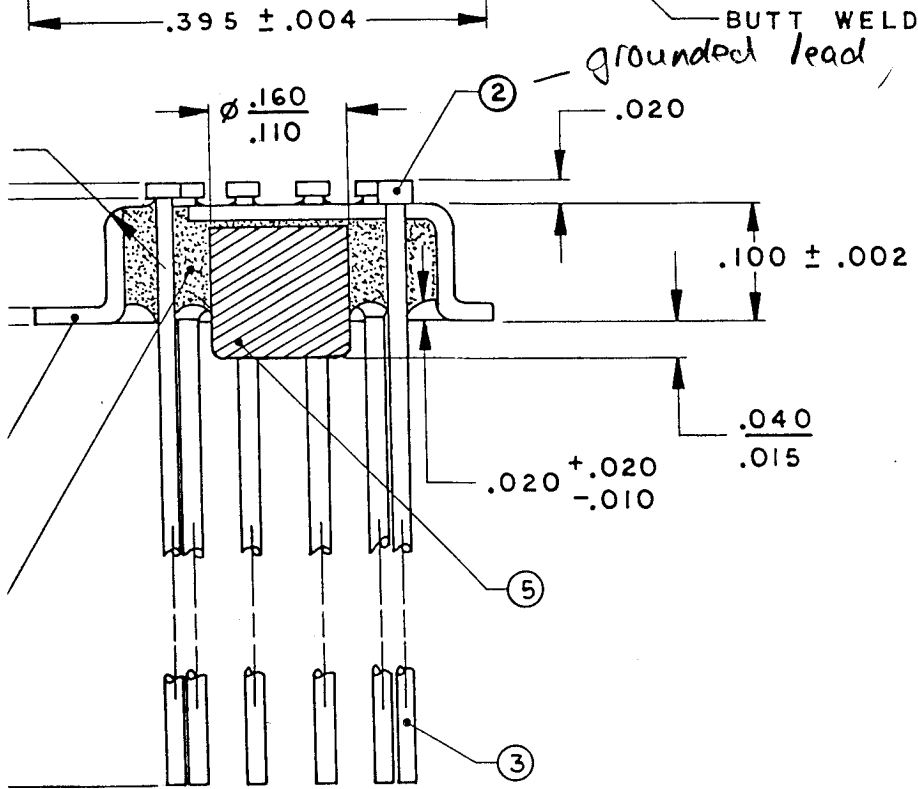
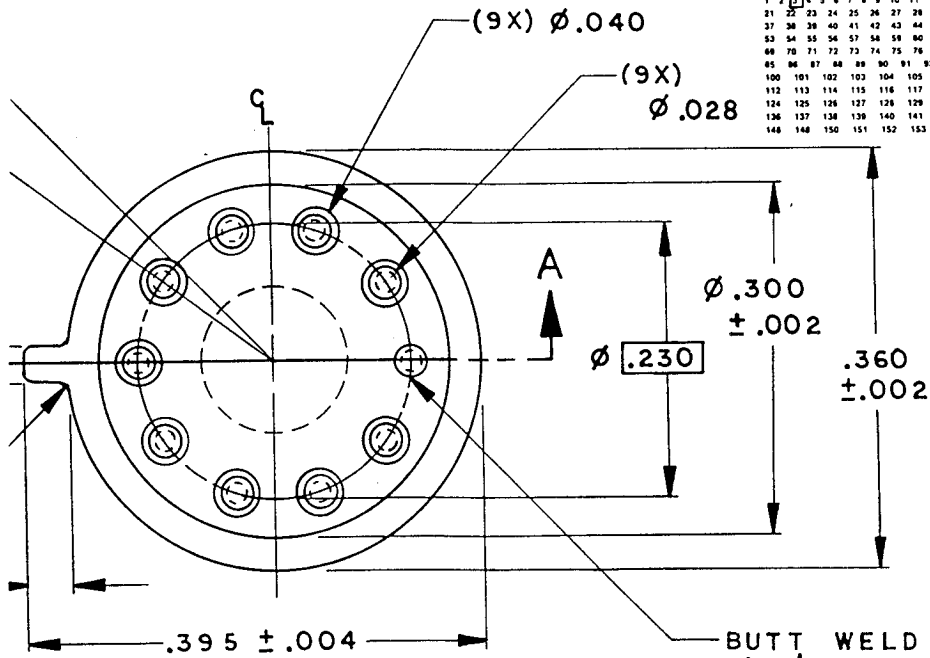


MASTER 2 Blanks

CONTROLLED DISTRIBUTION CODE																			
1	2	3	4	5	6	7	8	9	10	11	12	13	14	15	16	17	18	19	20
21	22	23	24	25	26	27	28	29	30	31	32	33	34	35	36				
37	38	39	40	41	42	43	44	45	46	47	48	49	50	51	52				
53	54	55	56	57	58	59	60	61	62	63	64	65	66	67	68				
69	70	71	72	73	74	75	76	77	78	79	80	81	82	83	84				
85	86	87	88	89	90	91	92	93	94	95	96	97	98	99					
100	101	102	103	104	105	106	107	108	109	110	111								
112	113	114	115	116	117	118	119	120	121	122	123								
124	125	126	127	128	129	130	131	132	133	134	135								
136	137	138	139	140	141	142	143	144	145	146	147								
148	149	150	151	152	153	154	155												

REV. LET.	REVISION DESCRIPTION
A7	REDRAWN
	CHANGE
A8	ADDED NOTES



SPECIFICATION 72.

SECTION A-A

TABLE A

1
ELECTROLYTIC (FAMATE)
ELECTROLYTIC (FAMATE)
1

NUMBER	DESCRIPTION
1	EYELET (KOVAR) TYPE A
2	GROUND LEAD (KOVAR) TYPE A
3	LEAD (KOVAR) TYPE A
4	GLASS (HARD GLASS)
5	STAND-OFF (GLASS CERAMIC)

ALL C

## HDR00544

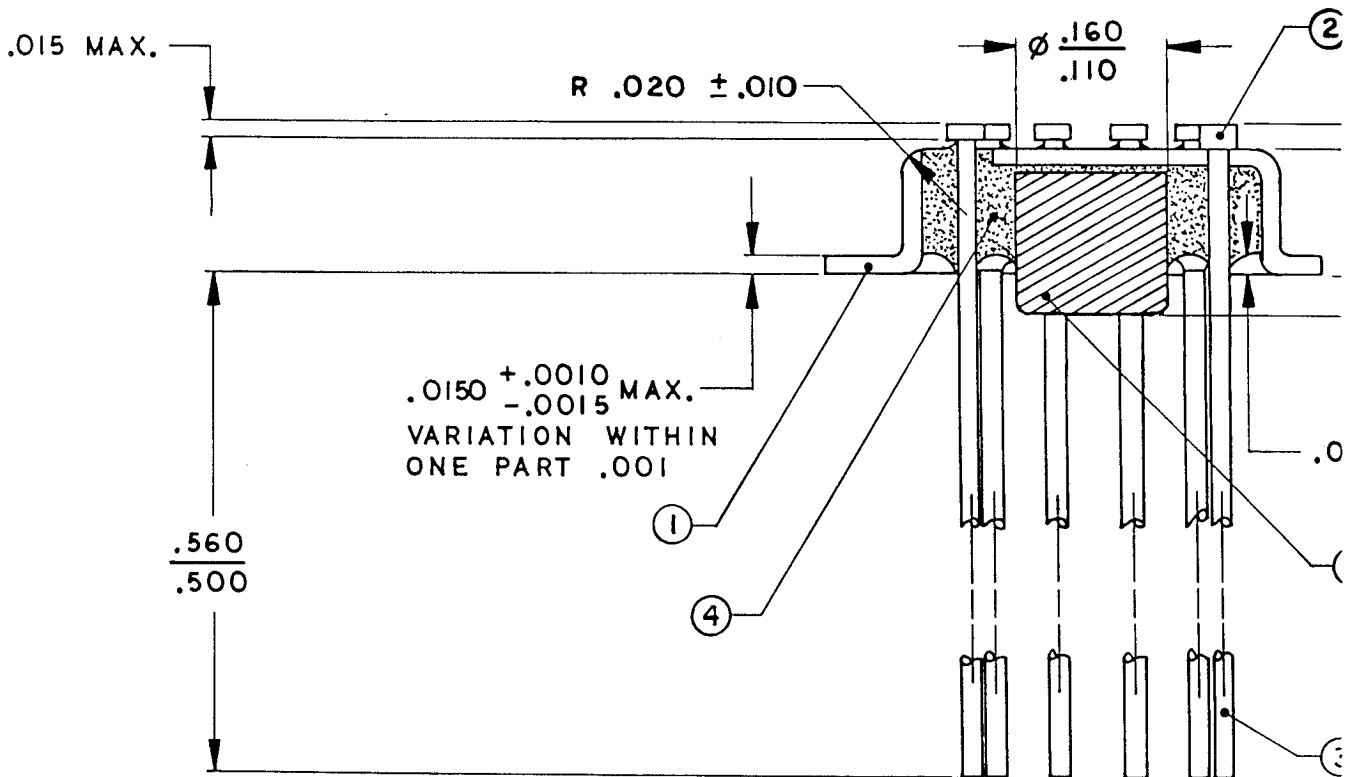
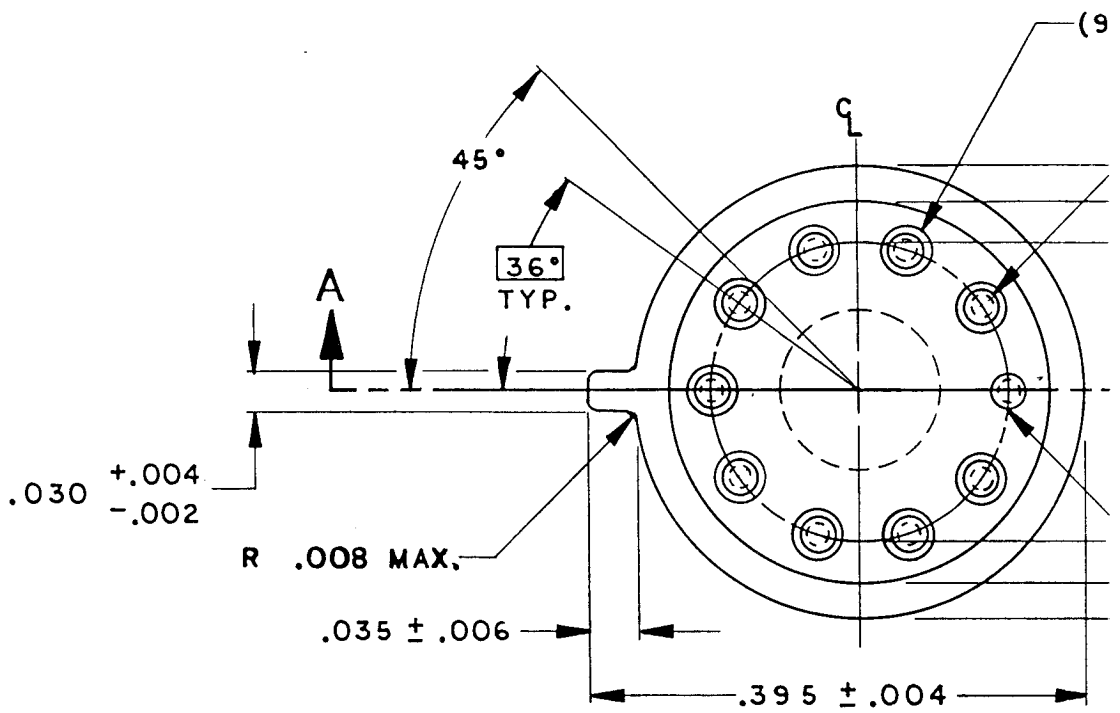
MATION OF  
Y PURPOSE EX

ANGELO SILVA 6/89		DATE	
DRAWN		DATE	
CHECKED		DATE	
APP FOR PRODUCTION		DATE	
FINISH		DATE	
MATERIAL		DATE	
SPECIFICATION		DATE	

TITLE: TO-5 N HEAD + 10 LEAD

SCALE: 10X

PAGE 1 OF 1



NOTES: (UNLESS OTHERWISE SPECIFIED).

① REQUIREMENTS MUST BE ACCORDANCE WITH MATERIAL AND SUPPLY SPECIFICATION 72.

② STAND - OFF MUST NOT BE IN DIRECT CONTACT WITH METAL EYELET.

③ PLATING OPTIONS:

STOCK No.	GOLD THICKNESS	NICKEL
7284	50 TO 120 $\mu$ " IN DIE ATTACH AREA, 50 TO 225 $\mu$ " ON LEADS	50 - 350 $\mu$ " (ELECTROLYTIC SULFAMATE)
7334	SPOT PLATE 50 TO 120 $\mu$ " ON D/A AREA	50 - 350 $\mu$ " (ELECTROLYTIC SULFAMATE)

4. GLASS COLOR TO BE BLACK OR DARK BROWN.

HDR00544

NUMBER	DESC
1	EYELET (K)
2	GROUND LEAD
3	LEAD (KOVAR)
4	GLASS (H)
5	STAND-OFF (I)