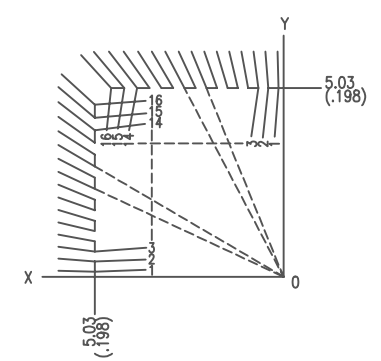


NO	ANGLE
1	1.53°
2	4.58°
3	7.60°
4	10.60°
5	13.57°
6	16.50°
7	19.38°
8	22.21°
9	24.99°
10	27.69°
11	30.33°
12	32.89°
13	35.38°
14	37.79°
15	40.13°
16	42.38°



MODIFICATIONS						NAME 64LD QUAD K-PACK 'Z'(9.85Q)	TOLERANCES: UNLESS OTHERWISE SPECIFIED	DRAWN	CHECKED
	ALL NEW DRAWING	NOV.10'92						APPROVED	DATE NOV. 4 '92
	C H A N G E	DATE	DRAWN	CHECKED	APPROVED				
						KYOCERA CORPORATION	KYOTO JAPAN	DWG No.	QC-064308-WZ