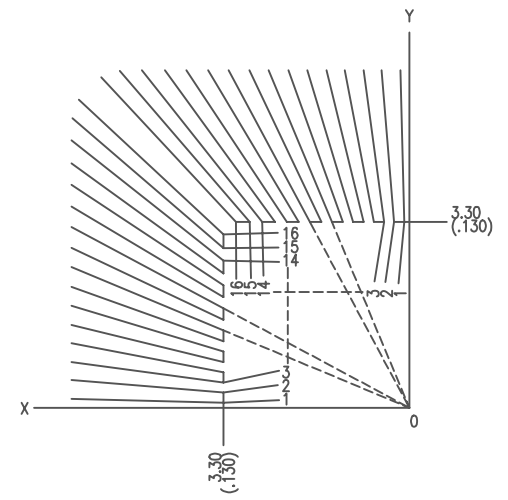


NO	ANGLE
1	1.519°
2	4.687°
3	7.700°
4	10.822°
5	13.774°
6	16.817°
7	19.679°
8	22.614°
9	25.360°
10	28.163°
11	30.774°
12	33.427°
13	35.889°
14	38.381°
15	40.685°
16	43.009°



MODIFICATIONS						NAME	TOLERANCES:	DRAWN	CHECKED
						64LD QUAD K-PACK 'Z'(6.35SQ)	UNLESS OTHERWISE SPECIFIED	K.OHTSUKA	S.TSURUZOE
						SCALE	MATERIAL	APPROVED	DATE
	-1	ADD GUIDE HOLE 2 PLACES	DEC.20'99			7 : 1		Y.ITO	DEC.17'99
CHANGE									
			DATE	DRAWN	CHECKED	APPROVED	KYOCERA CORPORATION	KYOTO JAPAN	DWG No. QC-064355-WZ-1