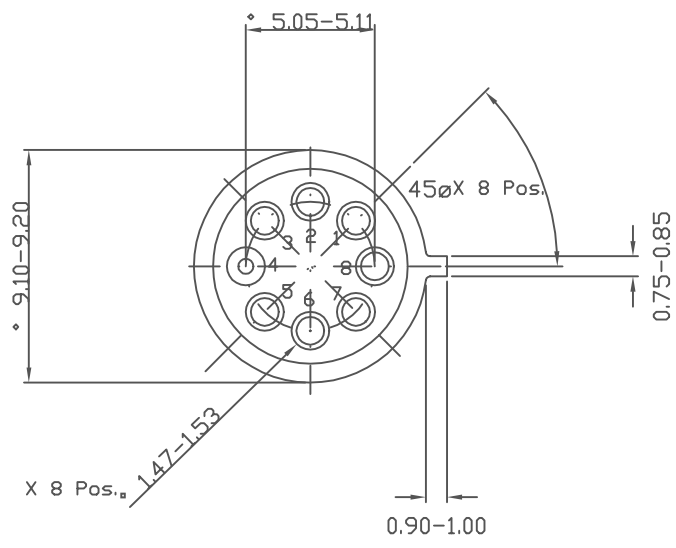


OPZIONE 'A' Area selettiva



I Letter

Ver	" X Dim. "	Stand off	Finishing
A	0.53-0.77	Jes	3.00-6.00 Mic. mm. Electroless Ni
B	0.53-0.77	Jes	3.00-6.00 Mic. mm. Electrolytic Ni
C	0.53-0.77	Jes	3.00-6.00 Mic. mm. Electrolytic Ni Plus 1.40 Mic. mm. Min. selective Au on Area Opz. "A"
D	0.53-0.77	Jes	1.70-2.50 Mic. mm. Electrolytic Ni plus 1.40 mic. mm. Au
E	0.53-0.77	Jes	3.00-6.00 Mic. mm. Electrolytic Ni Plus 1.27 Mic. mm. Au aver.
F	0.43-0.58	Jes	3.00-6.00 Mic.mm. Electroless Ni plus 1.50 Mic. mm. Au

II Letter

Ver	Leads Conf.	
G	All thru	
H	1-2-3-5-6-7-8 Thru 4 Braz.	
I	1-2-6-7-8 Thru	

Materials:
 Flange : KOVAR or EQ.
 Leads : KOVAR or EQ.
 Glass : "K" TIPE
 Stand Off: Glass+ Allum.
 Braqz. : Ag/Cu eut.

E 03 Mar 1999 Add. vers. "F","I"
 D 12 Nov 97 Aggiunto vers. "E"
 C 02 Aug 1993 Aggiunto vers " D "
 B 22 Jan 1993 Aggiunto vers. "B" e var. quota *

A	12 JAN 1993	aggiunto area sel, particolare "A" e revisionato	
REV	DATA REVISIONE	DESCRIZIONE VARIAZIONE	
		DENOMINAZIONE	CODICE
		Basetta ML P.C.D. 5.08 h=2.50	4ML063
SCALA	5 : 1	MATERIALE	Kovar o Eq.
FIRMA DIS.		DATA EMISSIONE	12 Oct 92
		ULTIMA REV.	E
			FIRMA CONVALIDATORE