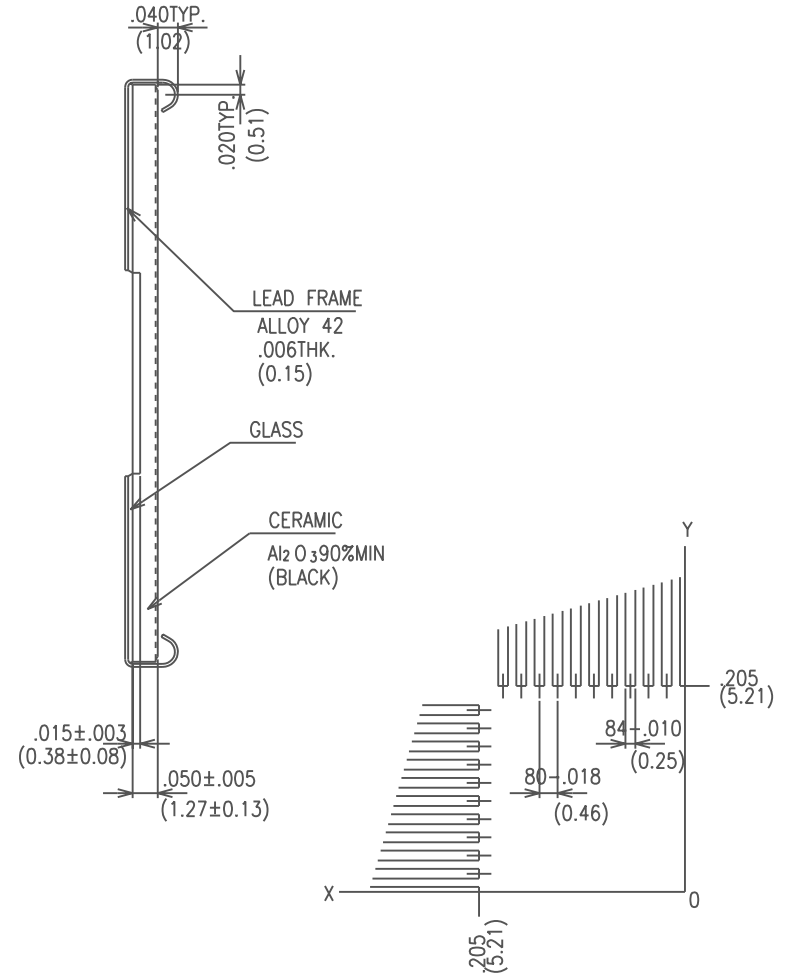
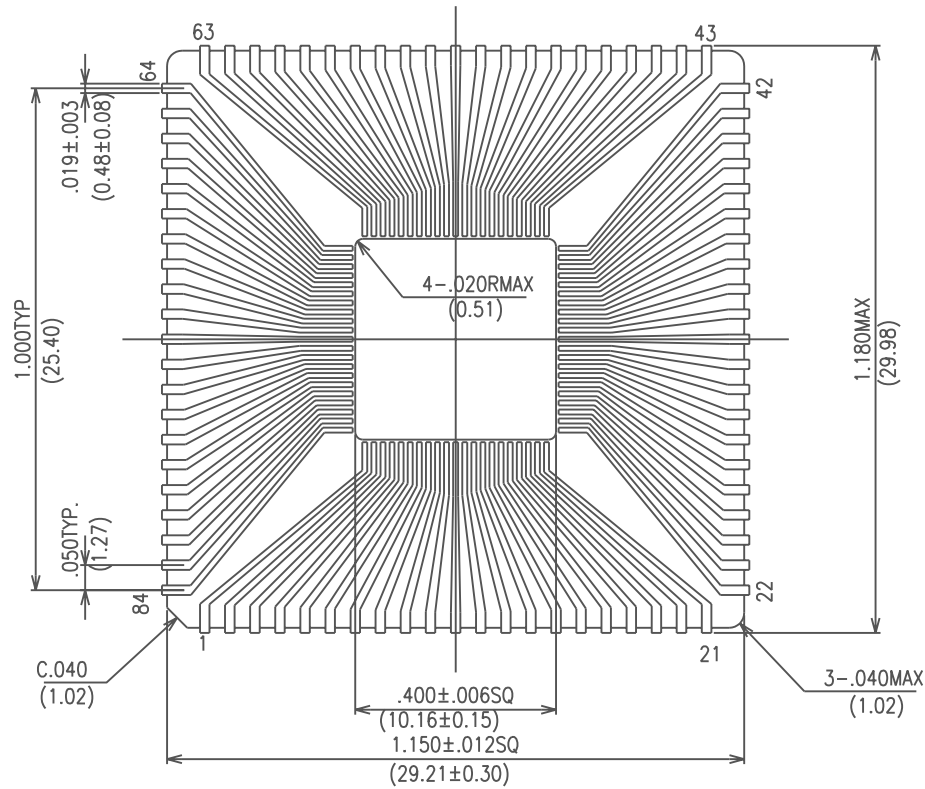


SSM P/N CQJ08403



MODIFICATIONS						NAME	TOLERANCES: UNLESS OTHERWISE SPECIFIED	DRAWN	CHECKED	
						84LD QUAD CERPAC'J'(1150-400)		K.Okada		
						SCALE		MATERIAL	APPROVED	DATE
						4 : 1				NOV.08'89
	C H A N G E	DATE	DRAWN	CHECKED	APPROVED	KYOCERA CORPORATION	KYOTO JAPAN	DWG No. QC-084203-J		

