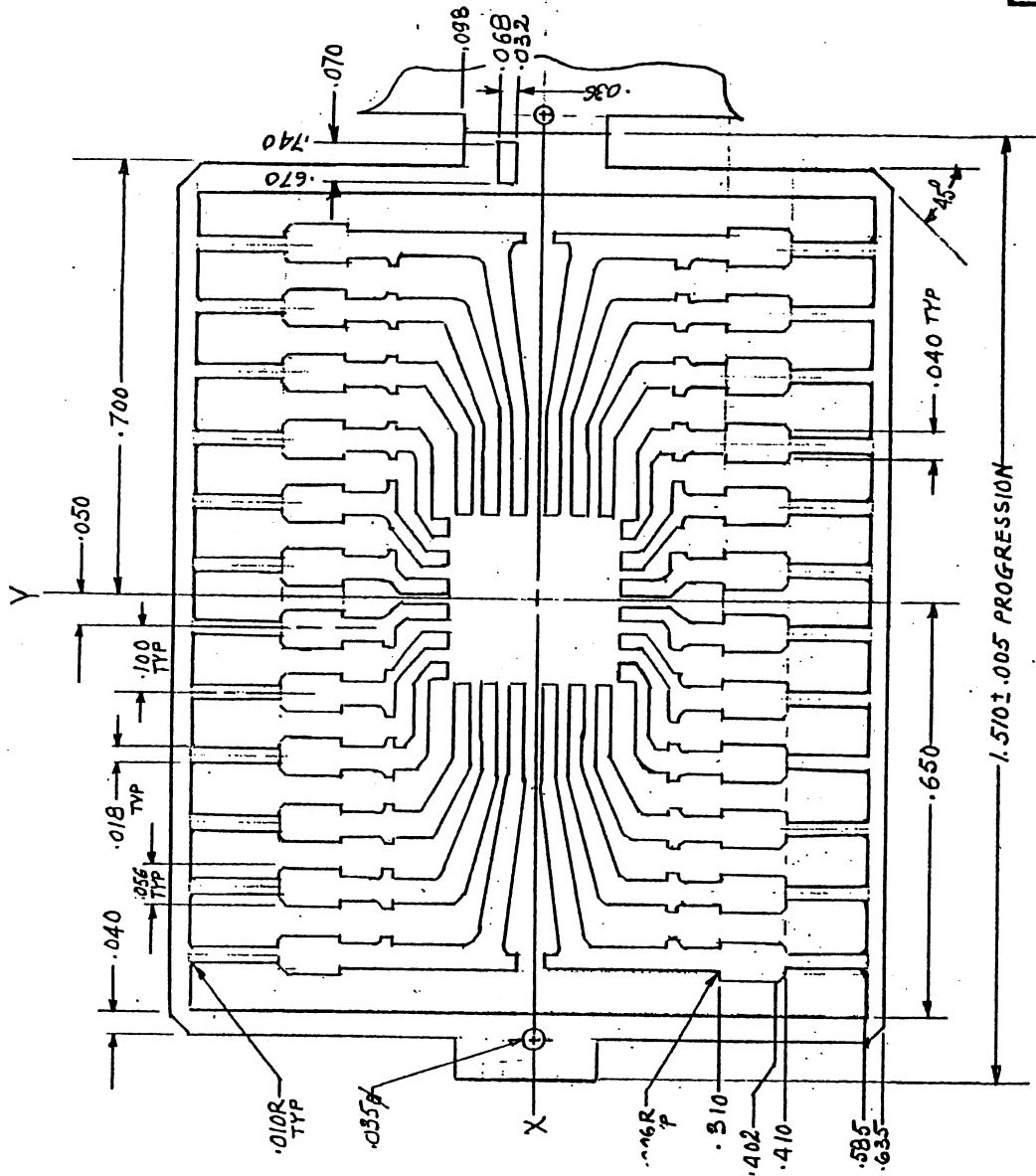
 <b>STAMPING TECHNOLOGY CORPORATION</b> Milpitas, Ca 95035		DRAWN R CHECKED J APP'D	DATE 1/24/96 1/24/96	TITLE 24 LEAD CERDIP FRAME TOOL PRODUCT CODE	REV AA
		SETZ A	DWG NBR 03-1232	SHEET 1	




SSM P/N CDF02430



24-C.D.1232 S.B.M.\*\*\*

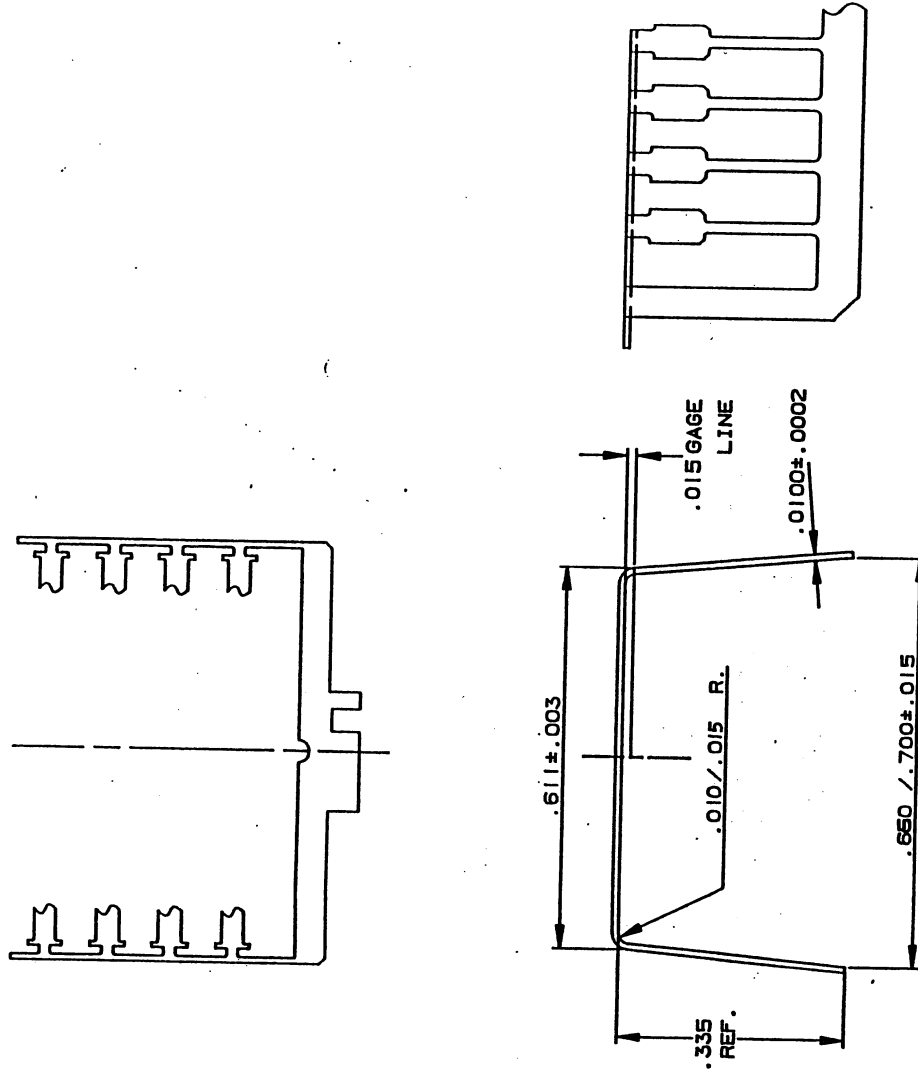
UNSPECIFIED RADII .005 MAX.

 <p>STAMPING TECHNOLOGY CORPORATION Santa Clara, Ca 95050</p>		DRAWN X.M.C. CHECKED APFD	DATE 7-31-84	TITLE 24 PIN CERDIP FRAME	MATERIAL QTY:	REV. Z
SCALE NONE SHEET 2		SIZE A		DWG NBR 03-1232		

BISHOP GRAPHICS/ACUPRESS  
REORDER NO. A13841



www.spectrum-semi.com Phone: 408-435-5555 Fax: 408-435-8226



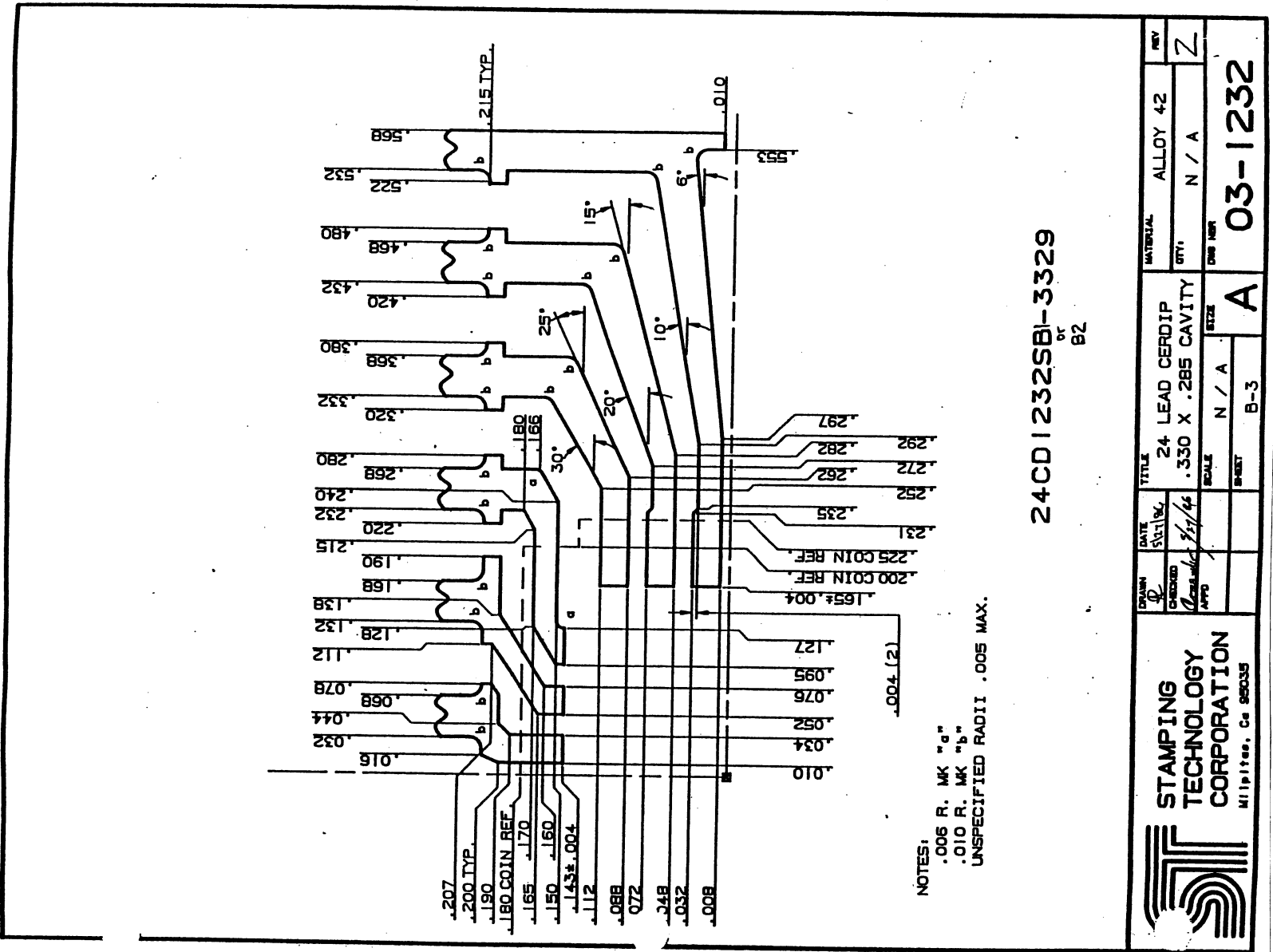
**FORMING DIMENSIONS**  
 NOMINAL FORM AS SHOWN  
 ROUNDED TO 2 PLACES  
 EX: .660 FORM  $\pm$  .015  
 .66 SUFFIX 66

**SUPPLY MODE**  
 SINGULATED UNITS ... SUFFIX -S...




**STAMPING TECHNOLOGY CORPORATION**  
 MILITARY, C- 95039

DATE	TITLE	REV
4-19-86	24 LEAD CERDIP FRAME FORMING / SUPPLY MODE	X
4-28-86		
SCALE	SIZE	DWG NO.
NONE	A	03-1232
SHEET	3	



NOTES:  
 .006 R. MK "a"  
 .010 R. MK "b"  
 UNSPECIFIED RADII .005 MAX.

24CD1232SBI-3329  
 or  
 B2

 <p><b>STAMPING          TECHNOLOGY          CORPORATION</b>          Milpitas, Ca 95035</p>	DATE 5/21/66	TITLE 24 LEAD CERDIP .330 X .285 CAVITY	MATERIAL ALLOY 42	REV Z
	CHECKED APPD 9/27/66	SCALE N / A	SIZE B-3	ONE PART A

