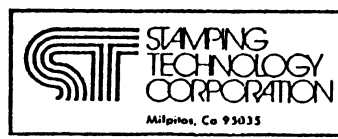


- NOTES:
- .020 R
  - .025 R
  - .040 R
  - .050 R
  - .075 R
  - .010 R
- UNSPECIFIED RADII .005 R MAX.

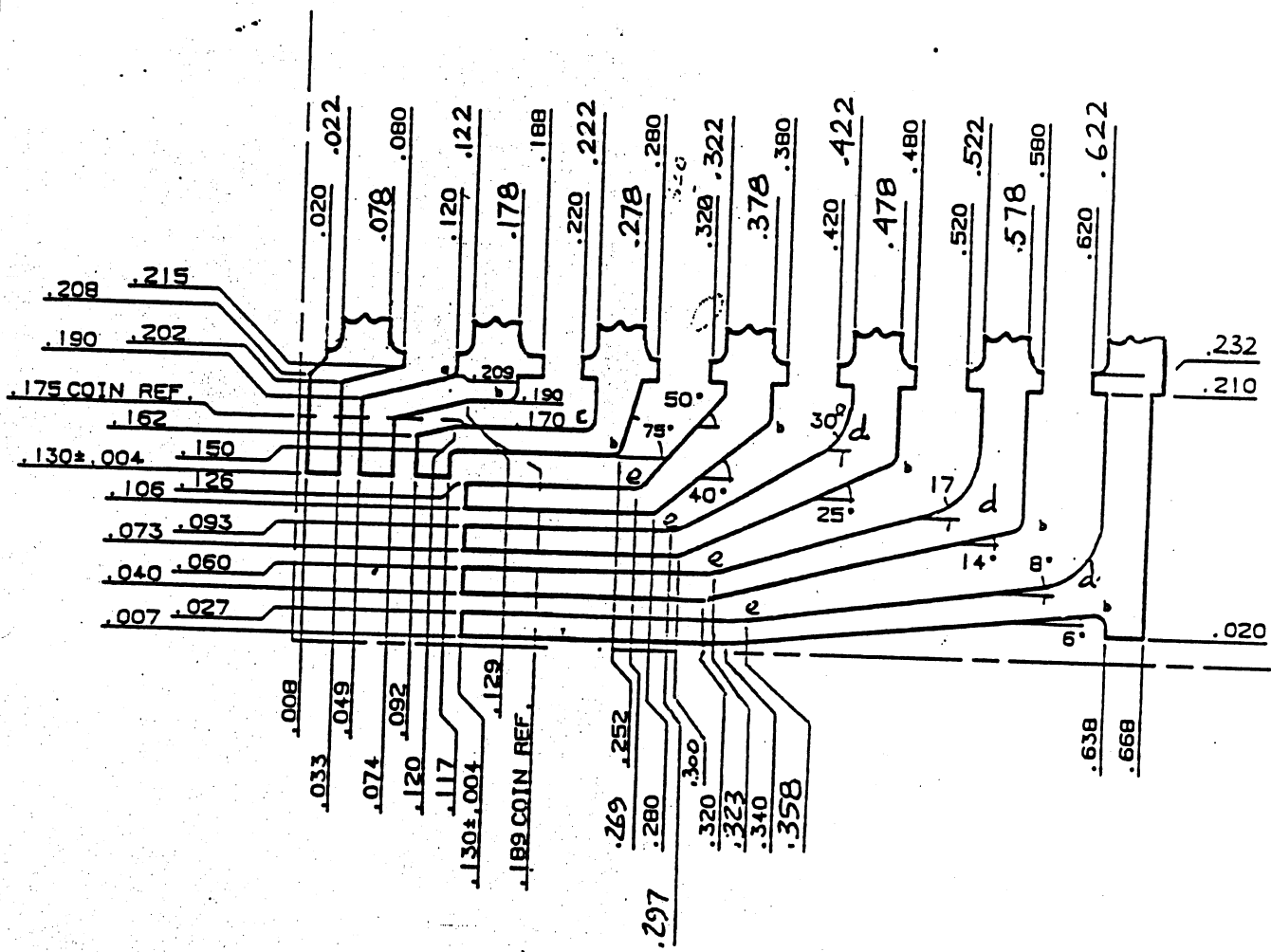
28 CD 1227 N-XX-XXXX-XXX

A



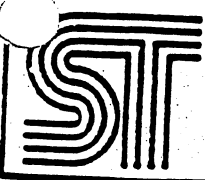
DRAWING FILE NAME		ASSOCIATED LEVELS	
03421.prt		66, 68, 121-124, 140, 142	
DRAWN DAVE	DATE 10/26/09	TITLE 28LD CERDIP	MATERIAL N.A.
CHECKED D.B.	10/27/09	SCALE	QTY: N.A.
APPD		SIZE A	REV 0
	SHEET 2	DWG NBR 03-1227	

CDP 02913



- NOTES:
1. - UNSPECIFIED RADII .005 MAX.
  2. - "e" = .006 R.
  - "b" = .010 R.
  3. "c" = .015R
  4. "d" = .050R
  5. "e" = .025R

28CD1227 NH1-2626



**STAMPING  
TECHNOLOGY  
CORPORATION**  
Milpitas, Ca 95035

DRAWN VP	DATE 09.29.88	TITLE 28 LEAD CERDIP "HI" FORMAT .260 X .260 CAVITY	MATERIAL ALLOY 42	REV H
CHECKED VP	09.29.88	SCALE 7 X	SIZE A	DWG NO 03-1227
APPRO		SHEET HI-3		

28 CD 1227 - - \*\* - \*\*\*\* S \*\* C

LEAD COUNT

PRODUCT TYPE

TOOL NBR

STANDOFF TYPE	
CODE	DESCRIPTION
-	STANDARD STANDOFF
N	NO NECK

TOP FORM WIDTH	
CODE	DIMENSION
-	.611 ± .003

FORMAT	
CODE	DESCRIPTION
NE1	STC OPEN
NH1	STC OPEN

ALUM. PROCESS	
CODE	DESCRIPTION
C	ROLLED CLAD

BOTTOM FORM WIDTH

SUPPLY MODE	
CODE	DESCRIPTION
S	SINGLES

CAVITY SIZE		
CODE	LENGTH X WIDTH	PAGE
NE1-3227	.325 X .275	E1-1
NH1-3228	.324 X .276	H1-1
NH1-4228	.420 X .280	H1-2
NJ1-4626	.460 X .260	J1-1
NJ2-4429	.440 X .294	J2-1
NG1-4626	.460 X .260	G1-1
NH1-2626	.260 X .260	H1-3



STAMPING TECHNOLOGY CORPORATION  
Milpitas, Ca 95035

<table border="1"> <tr> <td>DRAWN</td> <td>DATE</td> </tr> <tr> <td>CHECKED</td> <td>DATE</td> </tr> <tr> <td>APP'D</td> <td></td> </tr> <tr> <td><i>BMC</i></td> <td>5/30/89</td> </tr> </table>	DRAWN	DATE	CHECKED	DATE	APP'D		<i>BMC</i>	5/30/89	TITLE 28 LEAD CERDIP FRAME TOOL PRODUCT CODE	REV G
DRAWN	DATE									
CHECKED	DATE									
APP'D										
<i>BMC</i>	5/30/89									
SHEET 0	SIZE A	DWS NBR 03-1227								