

PIN CIRCLE DIAMETER

B 50017 B-4

1	2	3	4	5	6	7	8	9	10	11	12	13	14	15	16	17	18	19	20
21	22	23	24	25	26	27	28	29	30	31	32	33	34	35	36	37	38	39	40
41	42	43	44	45	46	47	48	49	50	51	52	53	54	55	56	57	58	59	60
61	62	63	64	65	66	67	68	69	70	71	72	73	74	75	76	77	78	79	80
81	82	83	84	85	86	87	88	89	90	91	92	93	94	95	96	97	98	99	100
101	102	103	104	105	106	107	108	109	110	111	112	113	114	115	116	117	118	119	120
121	122	123	124	125	126	127	128	129	130	131	132	133	134	135	136	137	138	139	140
141	142	143	144	145	146	147	148	149	150	151	152	153	154	155	156	157	158	159	160

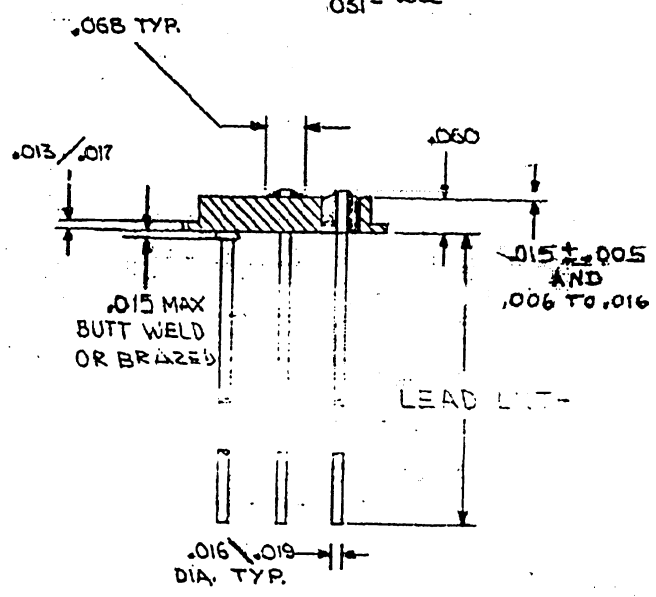
REV.	REVISION DESCRIPTION	BY	NO.	DATE
B-2	General Update - R/Lead	A.B.	07/88	3-14-8
B-3	Chg. To TAIL LENGTH .029/.045	C.R.	4/82	8-2-81
B-4	Chg. Post Height to .015 ± .002	NS	5/87	10-1-8
B-5	Chg. Root R. Full Length; Int	D.E.	8/88	12-1-8
B-6	Chg. Root R. Full Length; Int	W.	5/88	3-16-8

NOTES :

- FOR INSPECTION CRITERIA SEE MESS 72.
- POST HEIGHT AND FLANGE THICKNESS ARE MAJOR ACCEPTANCE LEVELS

CAT. No.	NICKEL PLATED (μ")		GOLD PLATED (μ")		LEAD LNTH
	PRE-FOSED EYELET	FINAL LEAD	BETA D/A	SCOPE MIN. THRU LEAD	
7214			30	FULL	1500 / 1562
7208			30	FULL	500 / 562
7208A		120 MIN	60	FULL	500 / 562

← HDR03915



DRAWN A. BOJORQUEZ	10/28/88	CHECKED	APPROVED FOR PRODUCTION
FINISH		MATERIAL KOVAR	
TOLERANCE UNLESS OTHERWISE SPECIFIED: .125" DECIMAL ± .008 .062" DECIMAL ± .004 .031" DECIMAL ± .002 FRACTIONAL ± ANGULAR ± 0° 30' SURFACE ROUGHNESS			
SCALE: 3:1			
STOCK NO.			

HEADER, TO-5 3LEAD SOLID