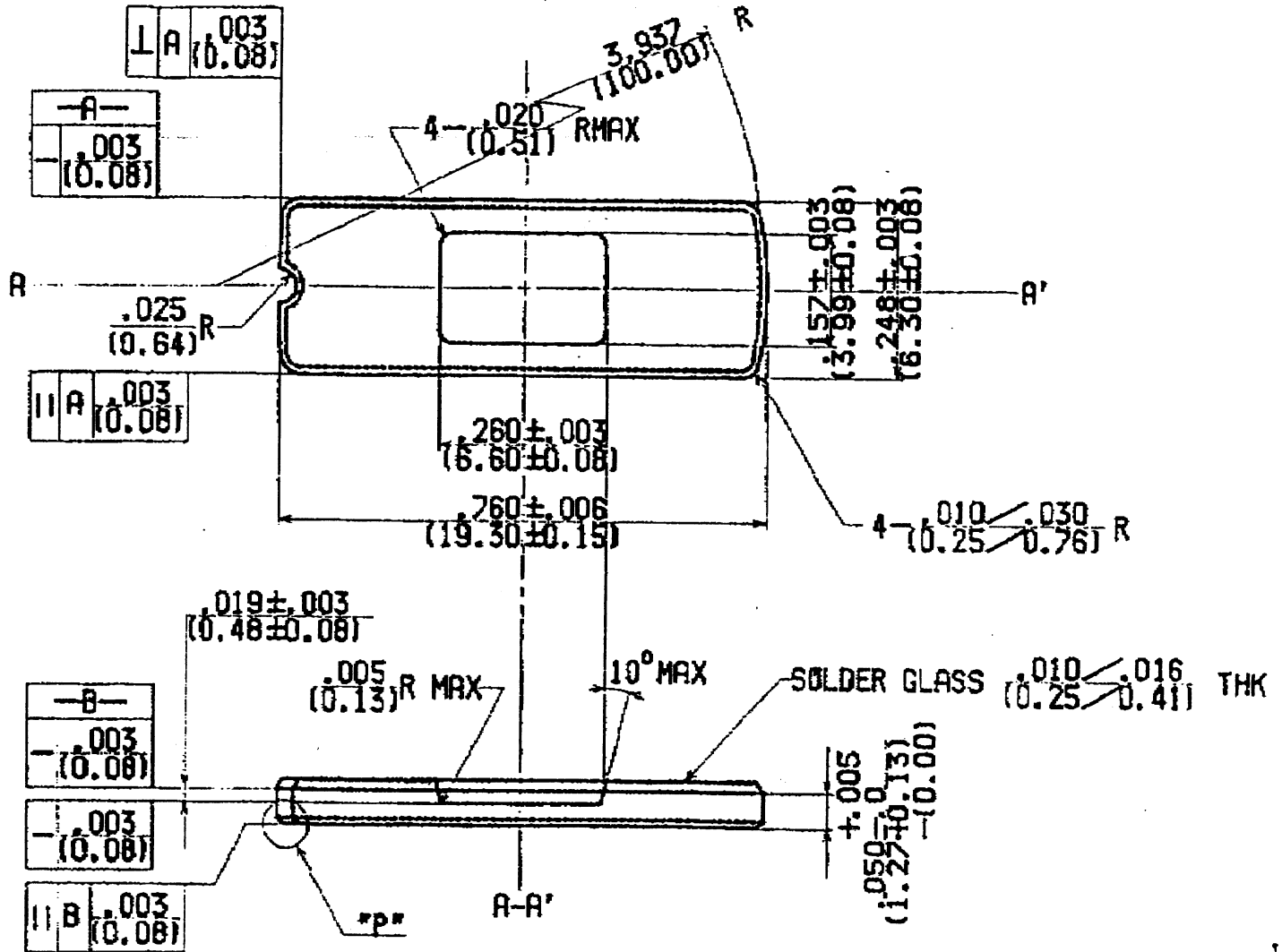


VIEW "P"



INCH
(mm)

MODIFICATIONS

MODIFICATIONS	NAME		TOLERANCES: UNLESS OTHERWISE SPECIFIED .XX ± .XXX ±	DRAWN	CHECKED
	14/16SSI C/F CAP 248 (15X260)			<i>[Signature]</i>	<i>[Signature]</i>
	SCALE	MATERIAL	APPROVED	DATE	
	4 : 1	Al ₂ O ₃ 90%MIN (BLACK)	<i>[Signature]</i>	DEC.08'8	
KYOCERA CORPORATION KYOTO JAPAN			DWG. No.	BC -01416	