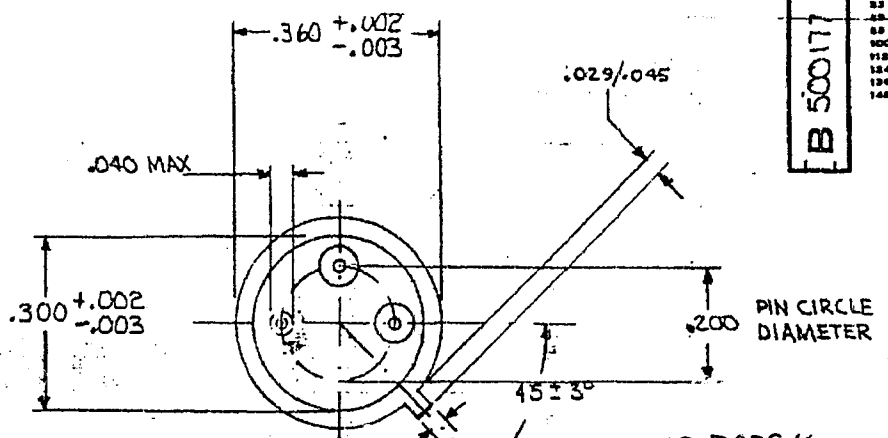


B 50017 B-4

|     |     |     |     |     |     |     |     |     |     |     |     |     |     |     |     |     |     |     |     |
|-----|-----|-----|-----|-----|-----|-----|-----|-----|-----|-----|-----|-----|-----|-----|-----|-----|-----|-----|-----|
| 1   | 2   | 3   | 4   | 5   | 6   | 7   | 8   | 9   | 10  | 11  | 12  | 13  | 14  | 15  | 16  | 17  | 18  | 19  | 20  |
| 21  | 22  | 23  | 24  | 25  | 26  | 27  | 28  | 29  | 30  | 31  | 32  | 33  | 34  | 35  | 36  | 37  | 38  | 39  | 40  |
| 41  | 42  | 43  | 44  | 45  | 46  | 47  | 48  | 49  | 50  | 51  | 52  | 53  | 54  | 55  | 56  | 57  | 58  | 59  | 60  |
| 61  | 62  | 63  | 64  | 65  | 66  | 67  | 68  | 69  | 70  | 71  | 72  | 73  | 74  | 75  | 76  | 77  | 78  | 79  | 80  |
| 81  | 82  | 83  | 84  | 85  | 86  | 87  | 88  | 89  | 90  | 91  | 92  | 93  | 94  | 95  | 96  | 97  | 98  | 99  | 100 |
| 101 | 102 | 103 | 104 | 105 | 106 | 107 | 108 | 109 | 110 | 111 | 112 | 113 | 114 | 115 | 116 | 117 | 118 | 119 | 120 |
| 121 | 122 | 123 | 124 | 125 | 126 | 127 | 128 | 129 | 130 | 131 | 132 | 133 | 134 | 135 | 136 | 137 | 138 | 139 | 140 |
| 141 | 142 | 143 | 144 | 145 | 146 | 147 | 148 | 149 | 150 | 151 | 152 | 153 | 154 | 155 | 156 | 157 | 158 | 159 | 160 |

| REV. | REVISION DESCRIPTION                             | BY   | NO.   | DATE    |
|------|--|------|-------|---------|
| B-2  | General Update - Rework                          | A.B. | 87988 | 3-14-8  |
| B-3  | Chg. To TAB LENGTH .029/.045                     | C.R. | 4470  | 8-2-81  |
| B-4  | CHG. POST HEIGHT FROM .010 ± .002 TO .015 ± .002 | N.S. | 5037  | 10-1-8  |
| B-5  | CHG. FROM .005 TO .002                           | B.E. | 82082 | 12-14-8 |
| B-6  | CHG. FROM .010 TO .015                           | N.S. | 82128 | 3-16-8  |

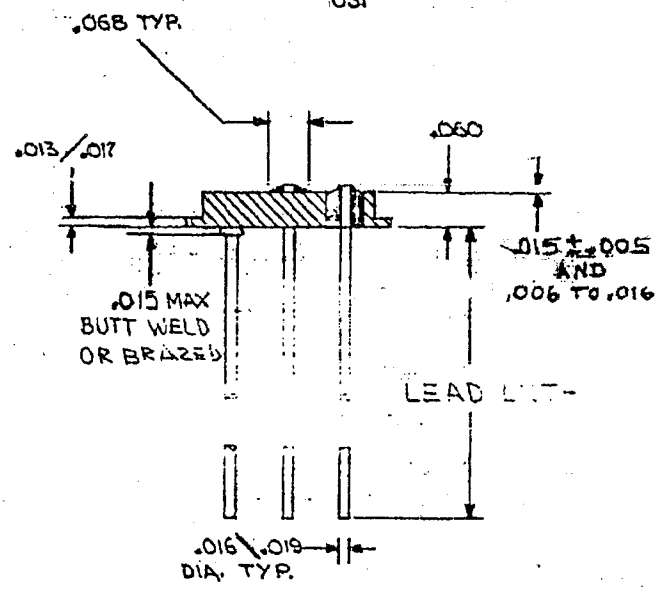


NOTES :

- FOR INSPECTION CRITERIA SEE MESS T2.
- POST HEIGHT AND FLANGE THICKNESS ARE MAJOR ACCEPTANCE LEVELS
- 

HDR03916 →

| CAT. No. | NICKEL PLATED (μ") |                 | GOLD PLATED (μ")    |           | LEAD LNTH    |
|----------|--------------------|-----------------|---------------------|-----------|--------------|
|          | PRE-FOUSED EYELET  | FINAL LEAD FULL | BETA SCOPE MIN. D/A | THRU LEAD |              |
| 7214     |                    |                 | 30                  | FULL      | 1500<br>1562 |
| 7208     |                    |                 | 30                  | FULL      | 500<br>566   |
| 7203A    |                    | 120 MIN         | 60                  | FULL      | 500<br>566   |



|   |                   |         |                         |
|---|-------------------|---------|-------------------------|
| DRAWN<br>A. BOJORGUEZ   | 10/28/78          | CHECKED | APPROVED FOR PRODUCTION |
| FINISH  | MATERIAL<br>KOVAR |         |                         |
| TOLERANCE UNLESS OTHERWISE SPECIFIED:<br>.001 DECIMAL ± .0005<br>.002 DECIMAL ± .0005<br>.005 DECIMAL ± .0005<br>FRACTIONAL ±<br>ANGULAR ± 9° 30'<br>SURFACE ROUGHNESS<br>SCALE, 5:1<br>STOCK NO. |                   |         |                         |
| HEADER, TO-5 3LEAD SOLID<br>HDR03916  |                   |         |                         |