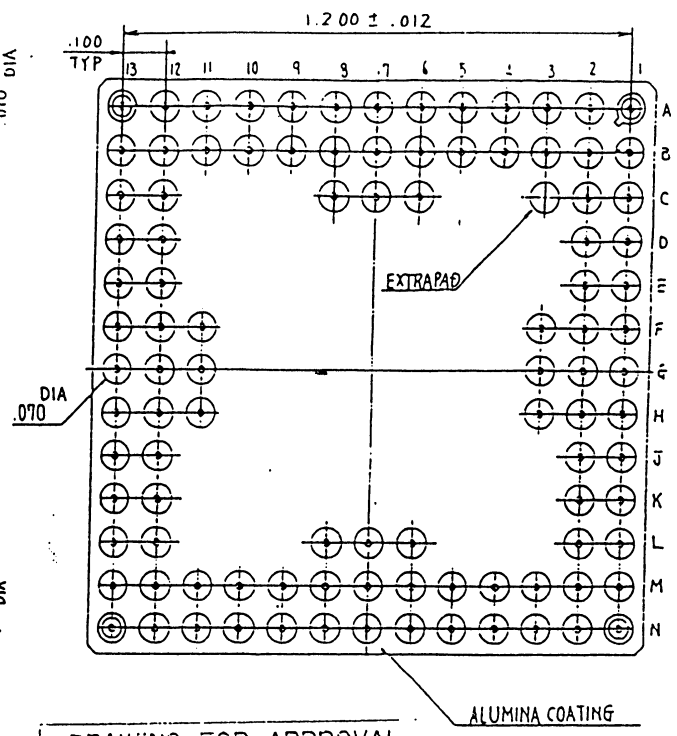
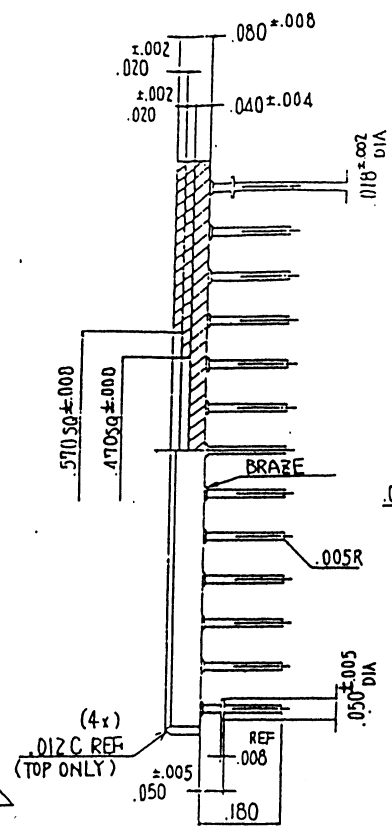
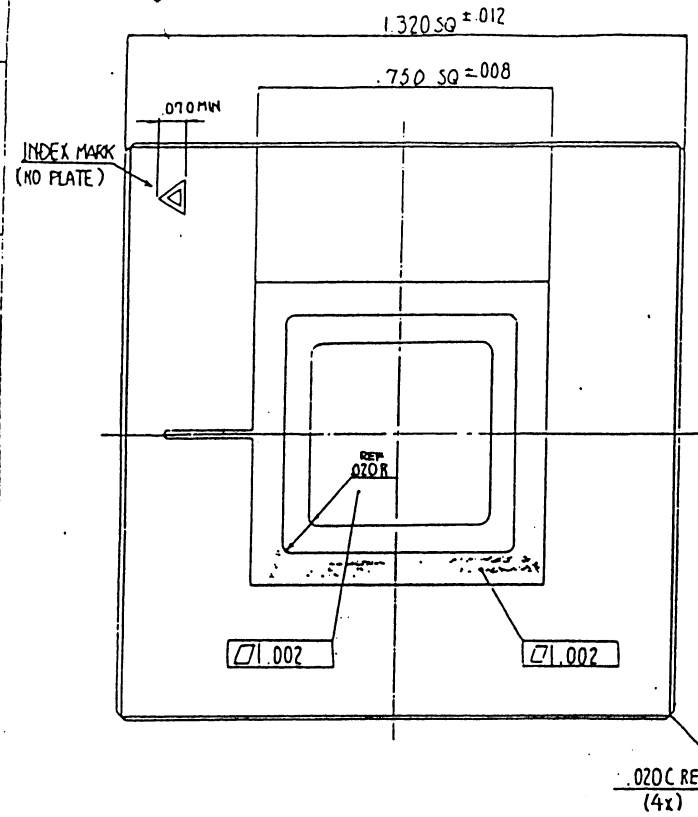


REVISED C3 PIN  
 CHG NTK DWG NO. - 8180 BA WAS  
 NO. - 8180 B.



- NOTES: 1. GOLD PLATE 60μ INCHES MIN OVER 50μ INCHES MIN NICKEL.  
 2. LEAD RESISTANCE:  
 Part No 1.12.13.26 37.38.51.62.63 - 200mΩ MAX  
 76.87.88  
 OTHERS - 800mΩ MAX  
 3. SEAL RING AND DIE ATTACH PAD TO BE FLOATING FROM ANY PINS.  
 4. EXTRA PAD TO BE NO PIN.

DRAWING FOR APPROVAL  
 APPROVED BY  
 NTK TECHNICAL CERAMIC DIVISION

04Q-00079



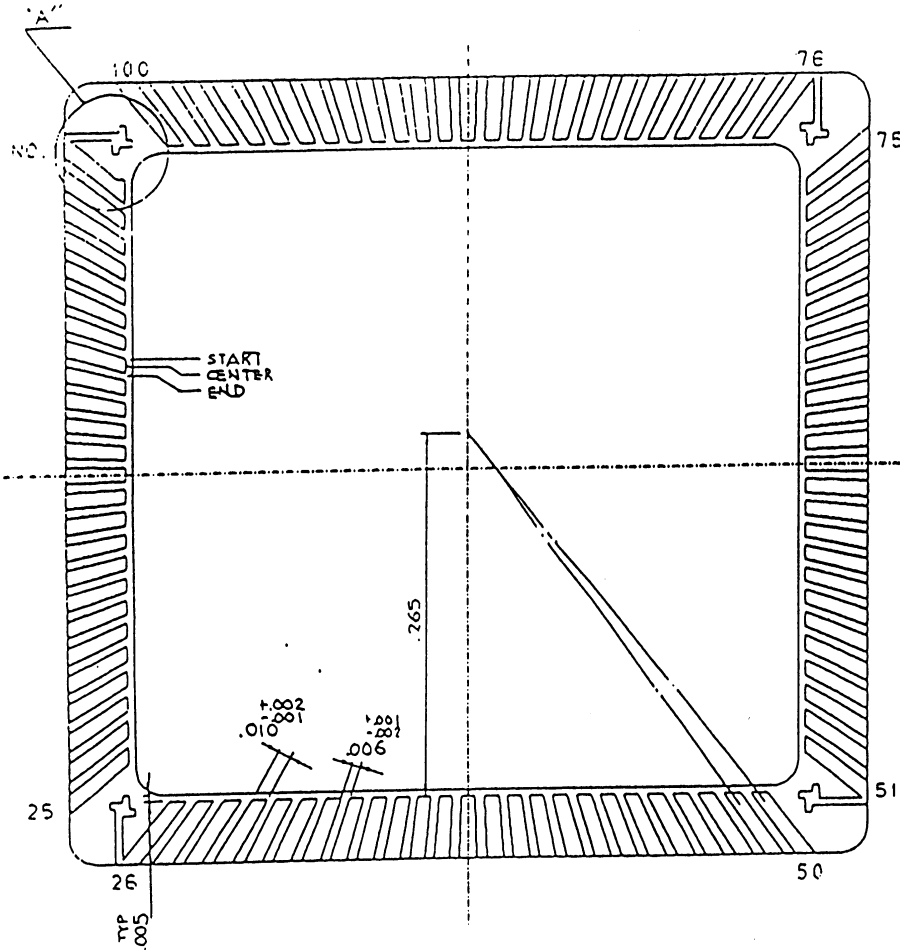
MODIFIED DWG NO. 1PKX071-8180B

UNLESS OTHERWISE SPECIFIED DIMENSIONS ARE IN INCHES TOLERANCES ARE: DECIMALS .005 FRACTIONS 1/16	THIS DRAWING IS THE PROPERTY OF ALLIANT AND IS TO BE KEPT IN CONFIDENCE. IT IS TO BE USED ONLY FOR THE PURPOSES FOR WHICH IT WAS ISSUED. IT IS NOT TO BE REPRODUCED OR TRANSMITTED IN ANY FORM OR BY ANY MEANS ELECTRONIC, MECHANICAL, PHOTOCOPYING, RECORDING, OR BY ANY INFORMATION STORAGE AND RETRIEVAL SYSTEM WITHOUT THE WRITTEN PERMISSION OF ALLIANT.
DATE	APPROVED
DRAWN	CHECKED
DESIGNED	IN CHARGE
DO NOT SCALE DRAWING	SCALE

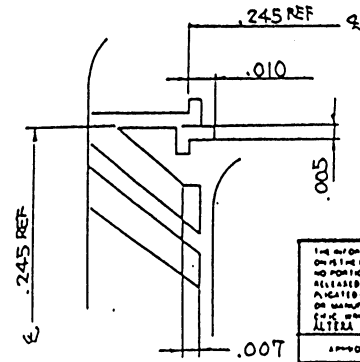
3					
2	PIN	ALLOY42	A	X. Sakamoto	AUG-2-1990
1	CERAMIC	BA-914	φ	REDRAWING	JUL-1-1990
Item	Part No	Material	Description	Rev.	Date
UNLESS OTHERWISE SPECIFIED TOLERANCES: ± 1% N. L. T. 2 DECIMALS .XX 2.01 3 DECIMALS .XXX 2.005		DRAWN X. Sakamoto	NTK TECHNICAL CERAMICS NOK SPARK PLUG CO. LTD		
CUSTOMER		CHECKED S. Nishida	TITLE 100 PIN GRID ARRAY		
DWG NO.		APPROVED S. Nishida	UNIT INCH	DWG NO. 1PKX071-8180 BA	SIZE A-2 (C)
		SCALE			

CPG10018

B TO C



B/F ANGLE θ°	B/F EDGES			B/F NO.
	CENTER	START	END	
0.000	0.0000	-0.0050	0.0050	13,38,63,88
3.455	0.0160	0.0110	0.0210	12,14,37,39,62,64,87,89
6.904	0.0321	0.0271	0.0371	11,15,36,40,61,65,86,90
10.334	0.0483	0.0432	0.0534	10,16,35,41,60,66,85,91
13.734	0.0648	0.0595	0.0699	9,17,34,42,59,67,84,92
17.090	0.0815	0.0763	0.0867	8,18,33,43,58,68,83,93
20.393	0.0985	0.0932	0.1038	7,19,32,44,57,69,82,94
22.632	0.1160	0.1105	0.1214	6,20,31,45,56,70,81,95
26.798	0.1339	0.1283	0.1394	5,21,30,46,55,71,80,96
29.863	0.1523	0.1465	0.1580	4,22,29,47,54,72,79,97
32.880	0.1713	0.1654	0.1772	3,23,28,48,53,73,78,99
35.782	0.1910	0.1848	0.1972	2,24,27,49,52,74,77,99
38.587	0.2114	0.2051	0.2178	1,25,26,50,51,75,76,100



DETAIL "A"

The information contained herein is the property of ALTERA. Copying or reproduction of this data shall be allowed only for use in manufacturing or for use in production units on manufacturing equipment and only with the permission from ALTERA Corp.

APPROVAL	DATE

SCALE: \_\_\_\_\_ B to C

NOTE: THIS TABLE SHOWS 1/8 OF THE TOTAL AND IS SYMMETRICAL TO THE CENTER LINE.

ITEM	NO.	MATERIAL	DESCRIPTION	REV.	DESCRIPTION	DATE
UNLESS OTHERWISE SPECIFIED TOLERANCES: ± 1%			DRAWN	NTK TECHNICAL CERAMIC		
N. L. T. 2 DECIMALS, XX ± .01			CHKD	NGK SPARK PLUG CO., LTD.		
3 DECIMALS, XXX ± .005			CHECKED	TITLE 100 P&A		
CUSTOMER			APPROVED	B/G PADS DETAIL		
DWG NO.			UNIT	DWG NO.		
			SCALE	Ref Only		
				IPKXOFI-8180BA		



CONNECTION TABLE

PAD	PIN	PAD	PIN	PAD	PIN	PAD	PIN	PAD	PIN
1	B2	21	K2	41	M8	61	H13	81	A10
2	B1	22	L1	42	L8	62	G12	82	B9
3	C2	23	M1	43	N9	63	G11	83	A9
4	C1	24	L2	44	M9	64	G13	84	C8
5	D2	25	N1	45	N10	65	F13	85	B8
6	D1	26	M2	46	M10	66	F12	86	A8
7	E2	27	N2	47	N11	67	F11	87	B7
8	E1	28	M3	48	N12	68	E13	88	C7
9	F3	29	N3	49	M11	69	E12	89	A7
10	F2	30	M4	50	N13	70	D13	90	A6
11	F1	31	N4	51	M12	71	D12	91	B6
12	G2	32	M5	52	M13	72	C13	92	C6
13	G3	33	N5	53	L12	73	B13	93	A5
14	G1	34	L6	54	L13	74	C12	94	B5
15	H1	35	M6	55	K12	75	A13	95	A4
16	H2	36	N6	56	K13	76	B12	96	B4
17	H3	37	M7	57	J12	77	A12	97	A3
18	J1	38	L7	58	J13	78	B11	98	A2
19	J2	39	N7	59	H11	79	A11	99	B3
20	K1	40	N8	60	H12	80	B10	100	A1