

PACKAGE LAY-UP

NOTES:

1. GOLD PLATE  $60\mu$  INCHES MIN OVER  $100\mu$  INCHES MIN NICKEL.
2. LEAD RESISTANCE-----1000m $\Omega$  MAX.



DRAWING FOR APPROVAL  
 APPROVED BY \_\_\_\_\_  
 NTK TECHNICAL CERAMIC

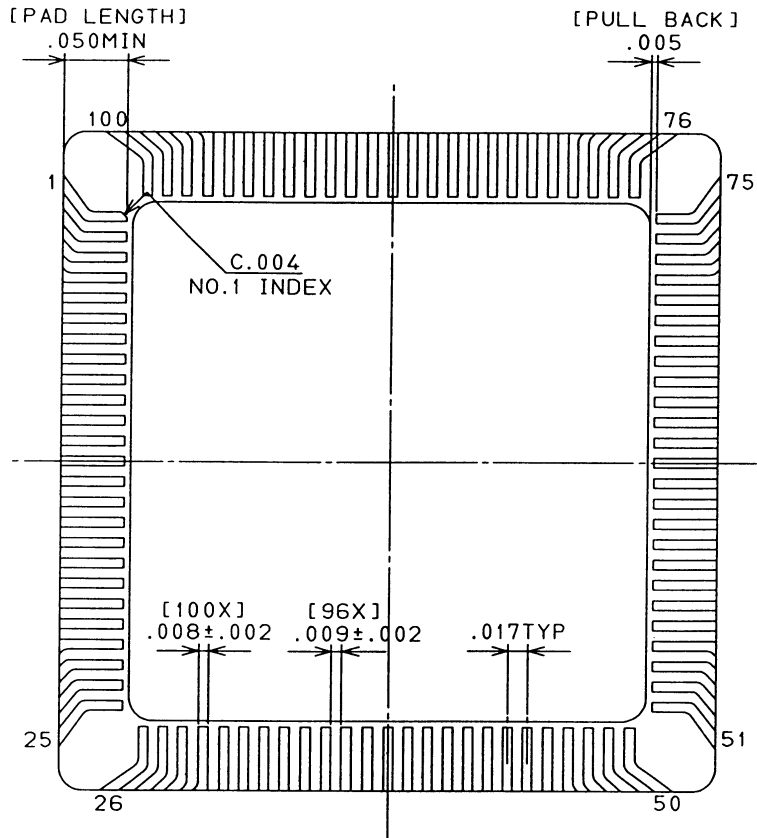
UNLESS OTHERWISE SPECIFIED TOLERANCES: $\pm$ 1%		DRAWN T. TORII	NTK TECHNICAL C
N. L. T. 2 DECIMALS: XX $\pm$ .01 3 DECIMALS: XXX $\pm$ .005		CHECKED <i>Kabla</i>	NGK SPARK PLUG (
CUSTOMER SPECTRUM	APPROVED S. WAKAGAKI	UNIT INCH	TITLE PACKAGE LAY-
DWG NO. _____	SCALE /	DWG NO.	IPKX0F1-8449

Rev.	Description
0	NEW DRAWING

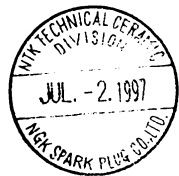
IFIED 3 NO. IPKX0F1-8449A

CONNECTION TABLE

PAD	PIN	PAD	PIN	PAD	PIN	PAD	PIN
1	B2	26	M2	51	M12	76	B12
2	B1	27	N2	52	M13	77	A12
3	C2	28	M3	53	L12	78	B11
4	C1	29	N3	54	L13	79	A11
5	D2	30	M4	55	K12	80	B10
6	D1	31	N4	56	K13	81	A10
7	E2	32	M5	57	J12	82	B9
8	E1	33	N5	58	J13	83	A9
9	F3	34	L6	59	H11	84	C8
10	F2	35	M6	60	H12	85	B8
11	F1	36	N6	61	H13	86	A8
12	G2	37	M7	62	G12	87	B7
13	G3	38	L7	63	G11	88	C7
14	G1	39	N7	64	G13	89	A7
15	H1	40	N8	65	F13	90	A6
16	H2	41	M8	66	F12	91	B6
17	H3	42	L8	67	F11	92	C6
18	J1	43	N9	68	E13	93	A5
19	J2	44	M9	69	E12	94	B5
20	K1	45	N10	70	D13	95	A4
21	K2	46	M10	71	D12	96	B4
22	L1	47	N11	72	C13	97	A3
23	M1	48	N12	73	B13	98	A2
24	L2	49	M11	74	C12	99	B3
25	N1	50	N13	75	A13	100	A1



B/G PADS DETAIL



DRAWING FOR APPROVAL  
 APPROVED BY  
 NGK TECHNICAL CERAMIC

UNLESS OTHERWISE SPECIFIED  
 TOLERANCES: ± %  
 N. L. T. 2 DECIMALS . XX ±.01  
 3 DECIMALS . XXX ±.005

CUSTOMER SPECTRUM  
 DWG NO.

DRAWN T. TORII  
 CHECKED K. Ohta  
 APPROVED S. NAKAGAKI  
 UNIT INCH  
 SCALE /

NEW DRAWING  
 Rev. Description  
 NGK TECHNICAL CERAMIC  
 NGK SPARK PLUG CO.  
 TITLE B/G PADS DI  
 & CONNECTION  
 DWG NO. IPKX0F1-8449I

FILED NO. IPKX0F1-8449A