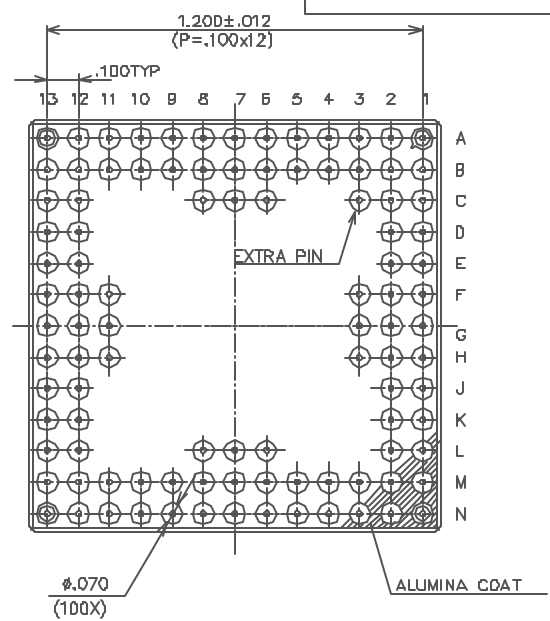
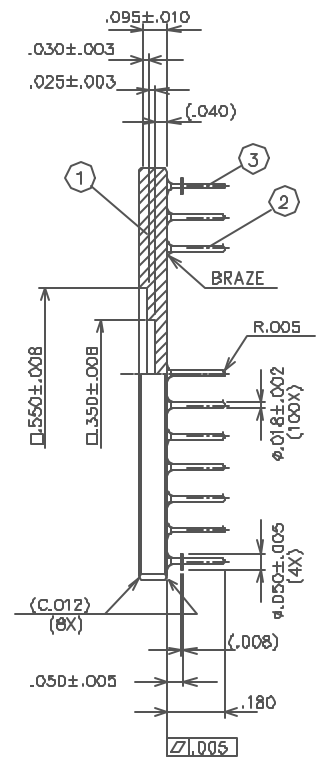
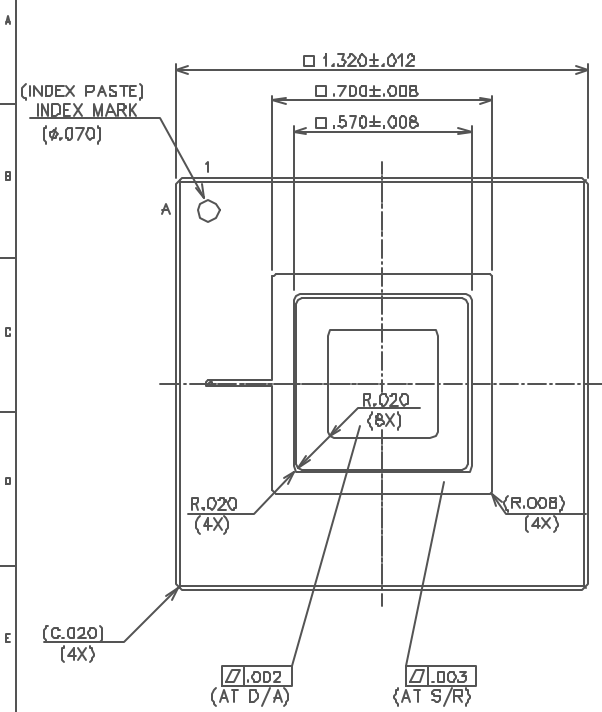


SSM P/N CPG10027

NTK TECHNICAL CERAMICS

LATEST REVISION'S DESCRIPTION



- NOTES:
1. GOLD PLATE 100² INCHES MIN OVER 80² INCHES MIN NICKEL.
 2. LEAD RESISTANCE
NO.1,12,13,26,37,38,51,62,63,76,87,88---300m² MAX.
ALL OTHERS -----900m² MAX.
 3. SEAL RING AND DIE ATTACH PAD TO BE FLOATING FROM ANY PINS.
 4. EXTRA PIN TO BE FLOATING.

3	STAND OFF PIN	KOVAR			
2	PIN	KOVAR			
1	CERAMIC	BLACK ALUMINA			
Item	Quantity	Material	Description	Part. Description	Date
UNLESS OTHERWISE SPECIFIED					
TOLERANCES: DIMENSIONS 1/16					
N.L.T. 3 DECIMALS, .001					
3 DECIMALS, .000500					
DRAWN BY: C. MATSUJIRA			DATE: MAR-13-1998		
CHECKED BY: [Signature]			TITLE: 100 PIN GRID ARRAY		
CUSTOMER: SPECTRUM			APPROVED BY: [Signature]		
DWT NO.:			SCALE: INCH		
			DRAWING NO.: IPKX0F1-B188F		
			SIZE: 1-2 (C)		

MODIFIED DWS NO. IPKX0F1-B188B

PART NO. SHEET 1 OF 3



www.spectrum-semi.com Phone: 408.435.5555 Fax: 408.435.8226

SSM P/N CPG10027

NTK

TECHNICAL CERAMICS

LATEST REVISION'S DESCRIPTION

CONNECTION TABLE

PAD	PIN	PAD	PIN	PAD	PIN	PAD	PIN	PAD	PIN
1	B2	21	K2	41	M8	61	H13	81	A10
2	B1	22	L1	42	LB	62	G12	82	B9
3	C2	23	M1	43	N9	63	G11	83	A9
4	C1	24	L2	44	M9	64	G13	84	C8
5	D2	25	N1	45	N10	65	F13	85	B8
6	D1	26	M2	46	M10	66	F12	86	AB
7	E2	27	N2	47	N11	67	F11	87	B7
8	E1	28	M3	48	N12	68	E13	88	C7
9	F3	29	N3	49	M11	69	E12	89	A7
10	F2	30	M4	50	N13	70	D13	90	AB
11	F1	31	N4	51	M12	71	D12	91	B6
12	G2	32	M5	52	M13	72	C13	92	C6
13	G3	33	N5	53	L12	73	B13	93	A5
14	G1	34	L6	54	L13	74	C12	94	B5
15	H1	35	M6	55	K12	75	A13	95	A4
16	H2	36	N6	56	K13	76	B12	96	B4
17	H3	37	M7	57	J12	77	A12	97	A3
18	J1	38	L7	58	J13	78	B11	98	A2
19	J2	39	N7	59	H11	79	A11	99	B3
20	K1	40	N8	60	H12	80	B10	100	A1

MODIFIED DWG. NO. IPKX0F1-8188B

UNLESS OTHERWISE SPECIFIED TOLERANCES ARE N.L.T. 2 DECIMALS XXX .001 3 DECIMALS XXXXX .005	DRAWN BY C. NATSUURA CHECKED	DATE MAR-13-1999
CUSTOMER SPECTRUM	APPROVED	TITLE CONNECTION TABLE
DWG. NO.	UNIT INCH	DRAW. NO. IPKX0F1-8188F
	SCALE	SIZE A-2 (C)

PART NO.

SHEET 3 OF 3

