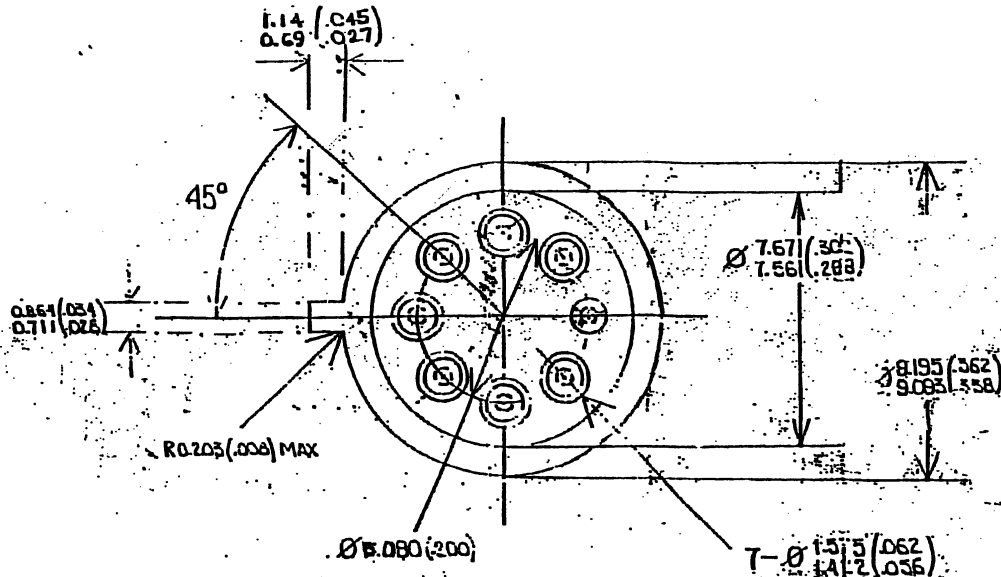
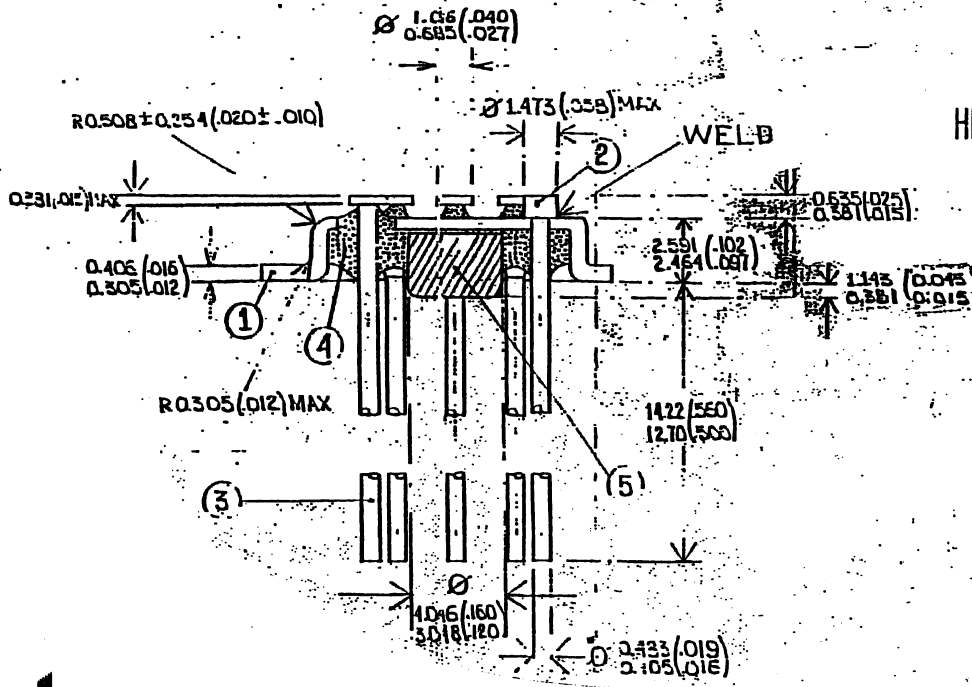


SSM P/N HDR00543



NOTES:

1. EYELET (KOVAR)-TYPE A
2. SMD LEAD (KOVAR)-TYPE A CAT NO. 7205 HAS NO GRIND LEAD-ALL THRU WITH NAILHEAD.
3. LEAD (KOVAR)-TYPE A
4. GLASS (HARD GLASS) (BLACK OR DARK BROWN IN COLOR).
5. STAND OFF (BLACK CERAMIC) STAND OFF MUST NOT BE IN DIRECT CONTACT WITH METAL EYELET.
6. PLATING OPTIONS:



GOLD NICKEL

HDR00543

720	50-120µ" ON DIA AREA 50-225µ" ON LEADS	50-250µ" (ELECTROLYTIC SULFAMATE)
-----	---	-----------------------------------

MISS 72
EYELET SHAPE MUST BE THE SAME FOR ALL SHIPMENTS. A COMMON EYELET SIZE AND SHAPE MUST BE MAINTAINED.

THIS DOCUMENT CONTAINS PROPRIETARY INFORMATION OF SPECTRUM COMPANY AND SHALL NOT BE REPRODUCED, COPIED, OR USED FOR ANY PURPOSE EXCEPT AS PROVIDED IN A CONTRACT, IN ANY MANNER WHICH THIS DOCUMENT WAS SUPPLIED BY		DATE	NO.
DESIGNED BY A. BOJORQUEZ	DESIGNED BY S/910 D. GUILYANT	APPROVED FOR PRODUCTION V. M. ...	1/10
DATE SEE NOTE 6	MATERIAL KOVAR	SPECIFICATION MISS 72	
TO-5 NAIL HEAD HEADER 8 LEADS			REV. NO. C 500311 A-8
SCALE 10X			

