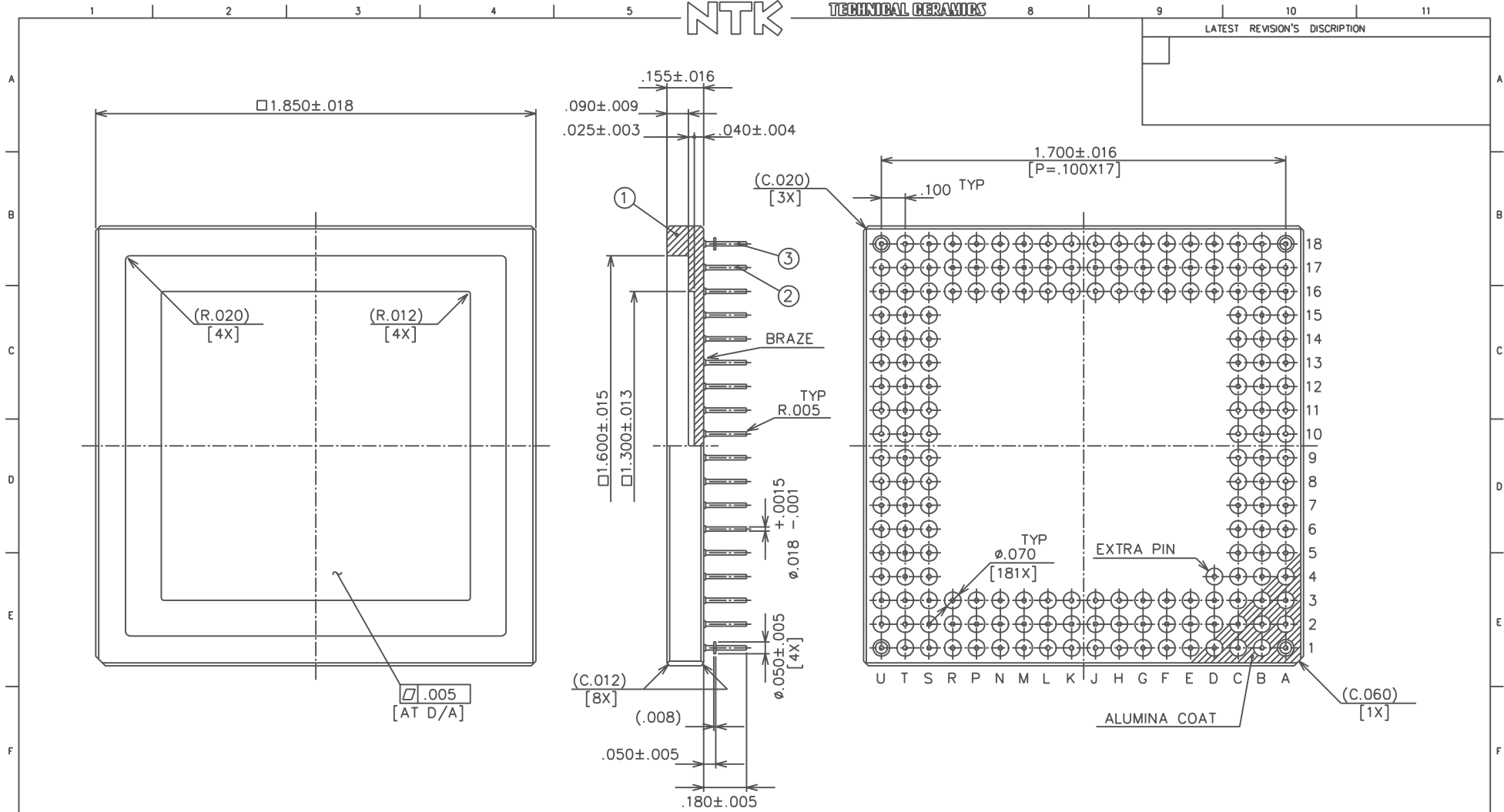


NTK

TECHNICAL CERAMICS

LATEST REVISION'S DISCRIPTION



- NOTES:
1. GOLD PLATE 60~200? INCHES OVER 50~350? INCHES NICKEL.
 2. DIE ATTACH AREA TO BE METALLIZED. AND TO BE CONNECTED TO A1 PIN.
 3. LEAD RESISTANCE: 500m? MAX.
 4. EXTRA PIN(D4) IS ISOLATED.
 5. NTK REFERENCE SPECIFICATION: YS-1010

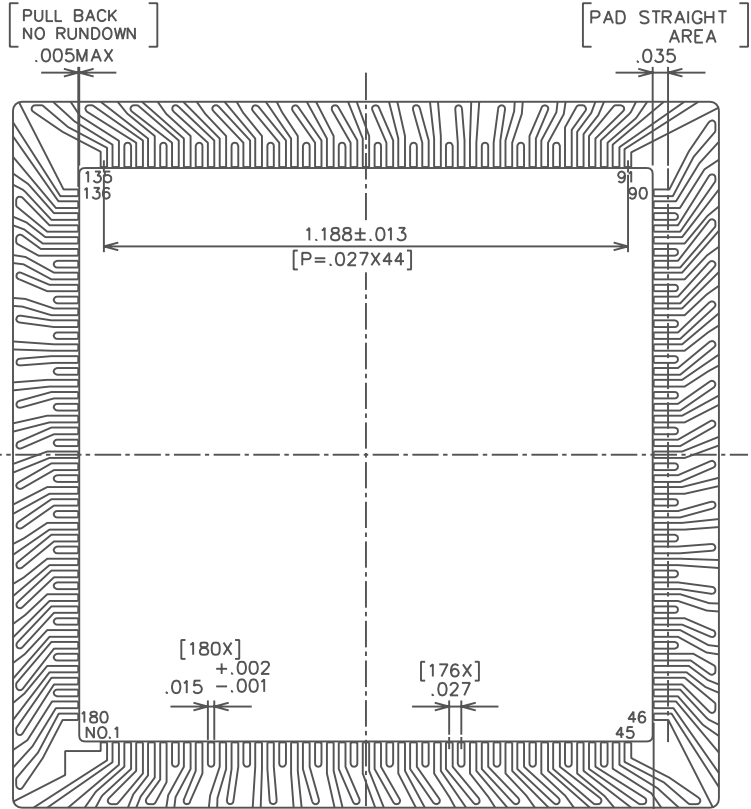
3	STAND OFF PINKOVAR				
2	PIN	KOVAR			
1	CERAMIC	BLACK ALUMINA			
Item	Name	Material	Description	Rev.	Description
UNLESS OTHERWISE SPECIFIED			DRAWN		NTK TECHNICAL CERAMICS NCK SPARK PLUG CO.,LTD
TOLERANCES: € 1%			K.SUZUKI		
N.L.T. 2 DECIMALS .XX €01			CHECKED		TITLE
3 DECIMALS .XXX€005					181 PIN GRID ARRAY
CUSTOMER			APPROVED		UNIT
GE RESEARCH					INCH
DWG NO.			SCALE		DRAW NO.
					IPKX8F0-1804A
					SIZE
					A-2
					(C)

MODIFIED DWG NO.

NTK

TECHNICAL CERAMICS

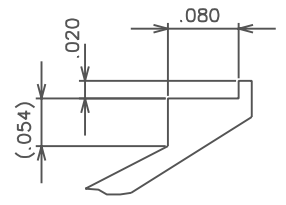
LATEST REVISION'S DISCRIPTION



CONNECTION TABLE (PAD ~ PIN)

PAD	PIN	PAD	PIN	PAD	PIN	PAD	PIN	PAD	PIN	PAD	PIN	N/C	PIN
1	A1	31	M3	61	S7	91	U18	121	G16	151	C12		D4
2	B1	32	N1	62	U8	92	T18	122	F18	152	A11		
3	C1	33	N2	63	T8	93	S18	123	F17	153	B11		
4	C2	34	N3	64	S8	94	S17	124	F16	154	C11		
5	D1	35	P1	65	U9	95	R18	125	E18	155	A10		
6	D2	36	P2	66	T9	96	R17	126	E17	156	B10		
7	D3	37	P3	67	S9	97	R16	127	E16	157	C10		
8	E1	38	R1	68	U10	98	P18	128	D18	158	A9		
9	E2	39	R2	69	T10	99	P17	129	D17	159	B9		
10	E3	40	R3	70	S10	100	P16	130	D16	160	C9		
11	F1	41	S1	71	U11	101	N18	131	C18	161	A8		
12	F2	42	S2	72	T11	102	N17	132	C17	162	B8		
13	F3	43	S3	73	S11	103	N16	133	C16	163	C8		
14	G1	44	T1	74	U12	104	M18	134	B18	164	A7		
15	G2	45	T2	75	T12	105	M17	135	B17	165	B7		
16	G3	46	U1	76	S12	106	M16	136	A18	166	C7		
17	H1	47	U2	77	U13	107	L18	137	A17	167	A6		
18	H2	48	U3	78	T13	108	L17	138	A16	168	B6		
19	H3	49	T3	79	S13	109	L16	139	B16	169	C6		
20	J1	50	U4	80	U14	110	K18	140	A15	170	A5		
21	J2	51	T4	81	T14	111	K17	141	B15	171	B5		
22	J3	52	S4	82	S14	112	K16	142	C15	172	C5		
23	K1	53	U5	83	U15	113	J18	143	A14	173	A4		
24	K2	54	T5	84	T15	114	J17	144	B14	174	B4		
25	K3	55	S5	85	S15	115	J16	145	C14	175	C4		
26	L1	56	U6	86	U16	116	H18	146	A13	176	A3		
27	L2	57	T6	87	T16	117	H17	147	B13	177	B3		
28	L3	58	S6	88	S16	118	H16	148	C13	178	C3		
29	M1	59	U7	89	U17	119	G18	149	A12	179	A2		
30	M2	60	T7	90	T17	120	G17	150	B12	180	B2		

B/G PADS DETAIL



NO.1 INDEX MARK

MODIFIED DWG NO. _____

UNLESS OTHERWISE SPECIFIED TOLERANCES: € 1%
 N.L.T. 2 DECIMALS .XX € 01
 3 DECIMALS .XXX € 005
 CUSTOMER: GE RESEARCH
 DWG NO. _____

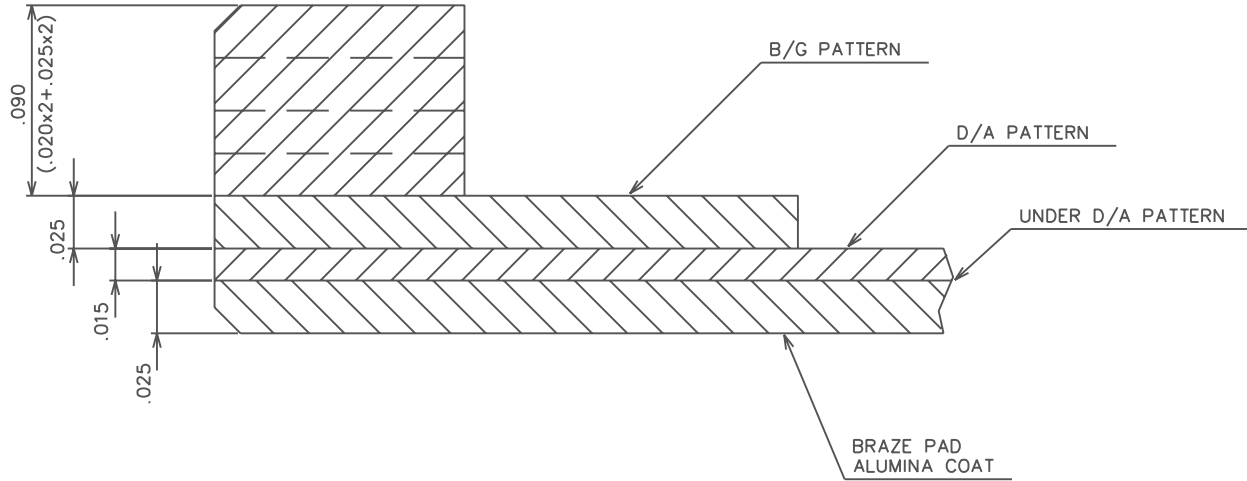
DRAWN: K.SUZUKI
 CHECKED: _____
 APPROVED: _____
 UNIT: INCH
 SCALE: _____

Rev. Description Date
 NEW DRAWING JUN-10-1997
NTK TECHNICAL CERAMICS
NGK SPARK PLUG CO., LTD
 TITLE: B/G PADS DETAIL & CONNECTION TABLE
 DRAW NO. IPKX8F0-1804A
 SIZE A-2 (C)

NTK

TECHNICAL CERAMICS

LATEST REVISION'S DISCRIPTION



MODIFIED DWG NO.

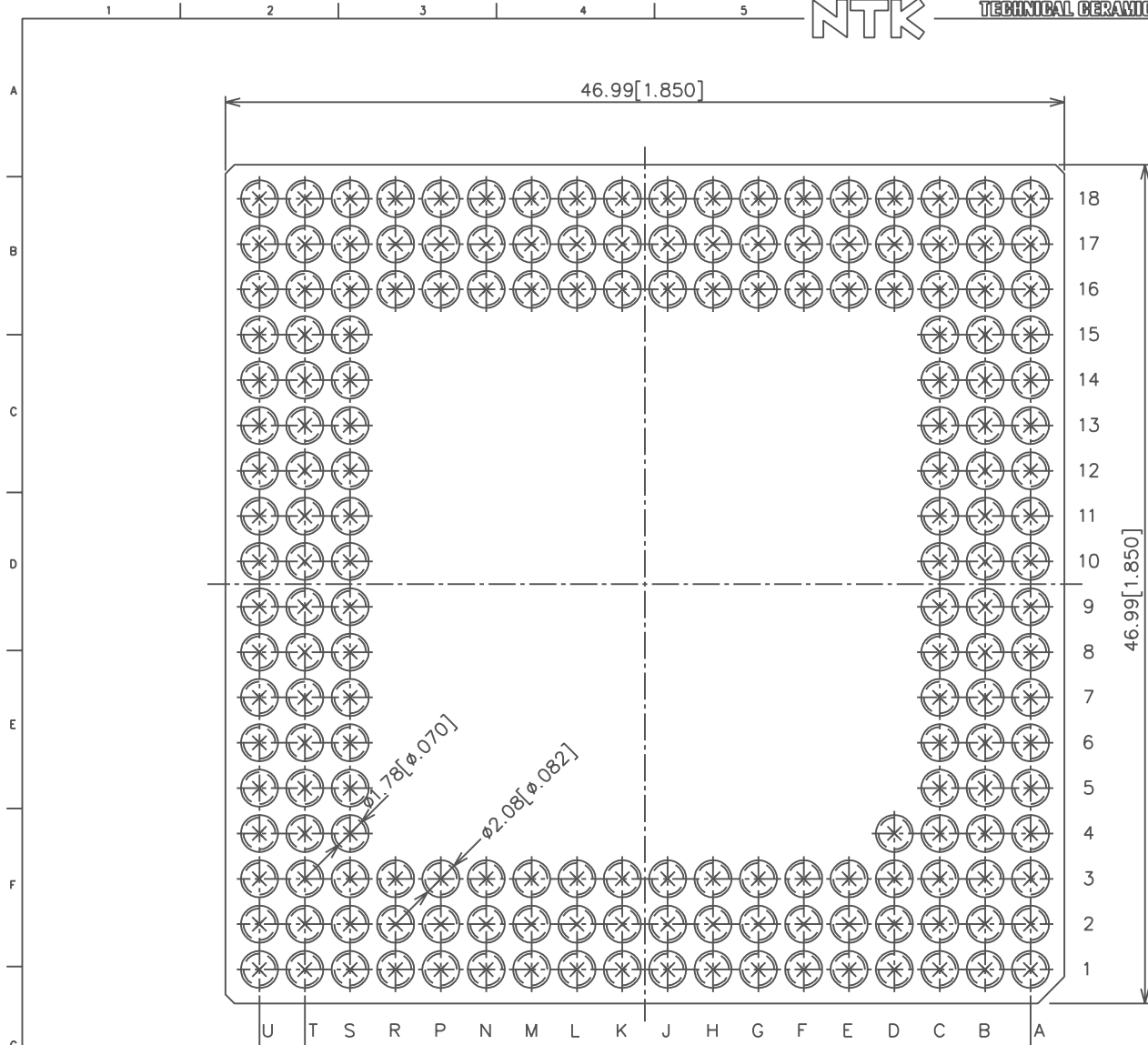
UNLESS OTHERWISE SPECIFIED
TOLERANCES: $\pm 1\%$
N.L.T. 2 DECIMALS .XX ± 0.01
3 DECIMALS .XXX ± 0.005

DRAWN K.SUZUKI
CHECKED
APPROVED
UNIT INCH
SCALE

Rev.	NEW DRAWING	Date	JUN-10-1997
NTK TECHNICAL CERAMICS NGK SPARK PLUG CO., LTD			
TITLE PACKAGE LAY UP			
CUSTOMER GE RESEARCH	DRAW NO.	IPKX8F0-1804A	SIZE A-2 (C)

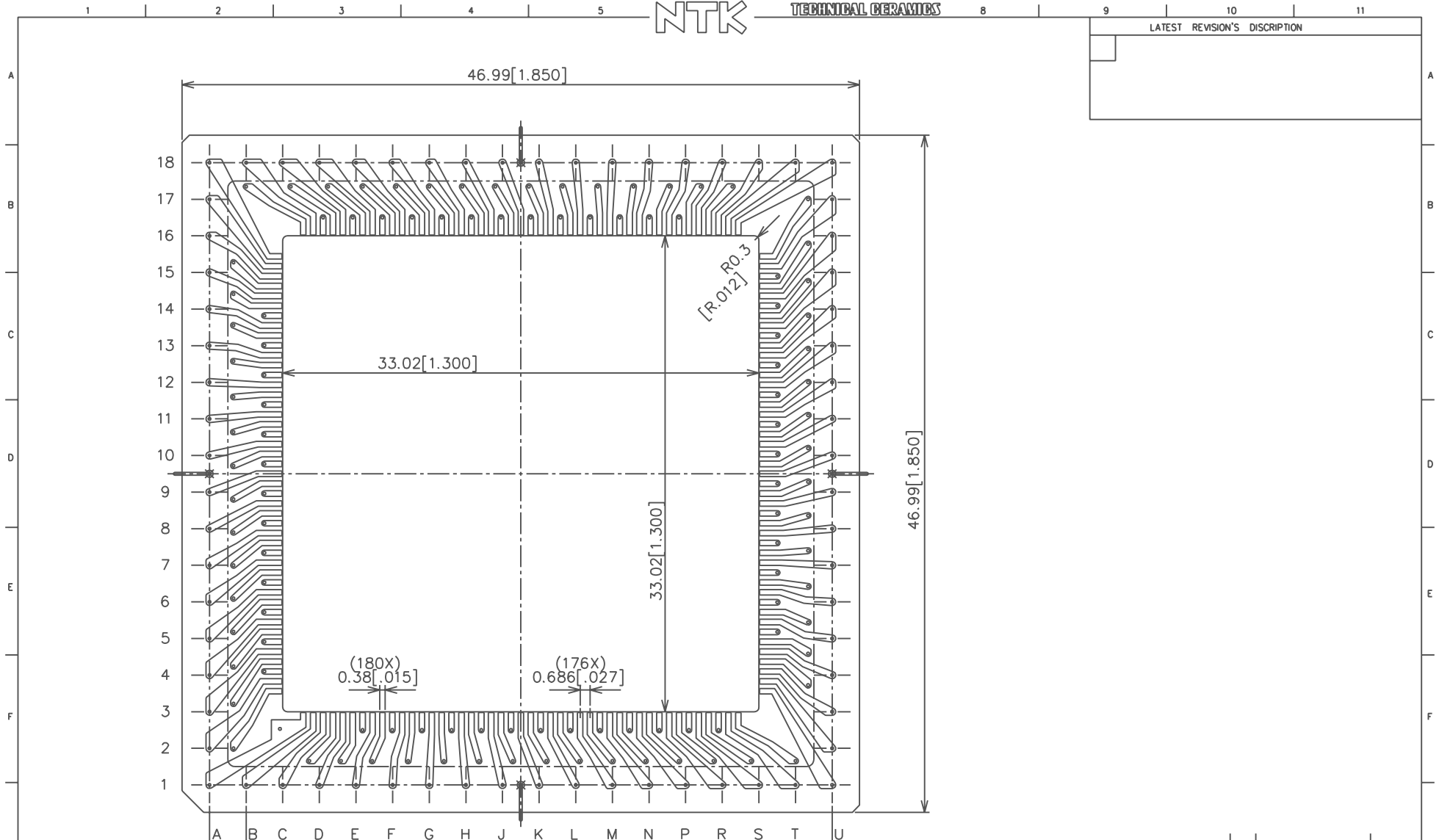
PART NO. SHEET 2 OF 3

9	10	11
LATEST REVISION'S		DISCRPTION



MODIFIED DWG NO. []

DESCRIPTION	DRAWN K.SUZUKI	Rev.	NEW DRAWING	Date	JUN-10-1997
FILE NAME pp1804a-e1	CHECKED	NTK TECHNICAL CERAMICS NCK SPARK PLUG CO.,LTD		TITLE BRAZE PAD (ALUMINA COAT)	
CUSTOMER GE RESEARCH	APPROVED	UNIT INCH	DRAW NO. P-IPK-1804A-01 (P-IPK-1804A-02)	SIZE A-2	(C)
DWG NO.	SCALE	PART NO.		SHEET 4 OF 4	



MODIFIED
DWG NO.

DESCRIPTION	DRAWN	NEW DRAWING		JUN-10
FILE NAME	CHECKED	Description		-1997
CUSTOMER	APPROVED	Rev.		Date
DWG NO.	SCALE	TITLE		
		NCK SPARK PLUG CO.,LTD		
		B/G PATTERN		
		DRAW NO.		SIZE
		P-IPK-1804A-3		A-2
				(C)