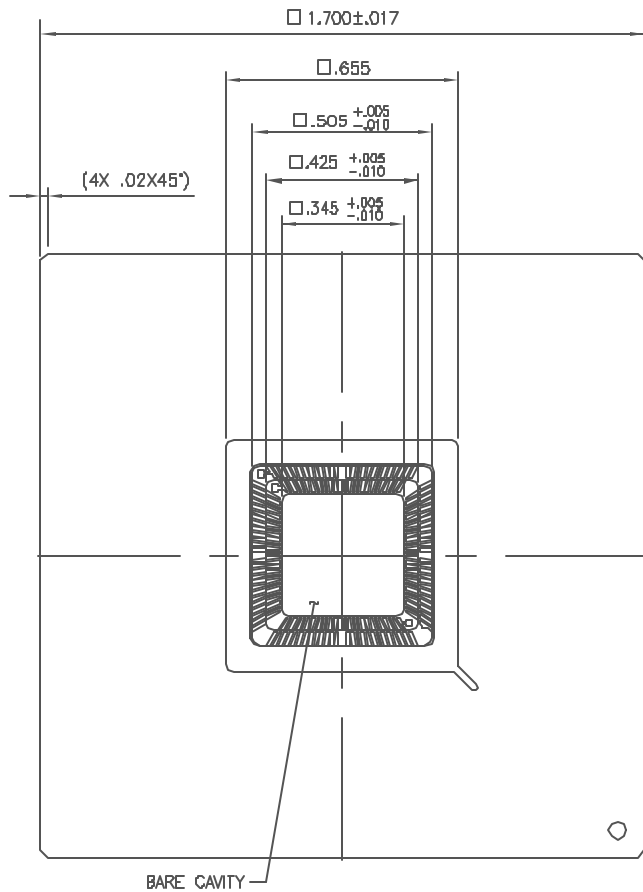
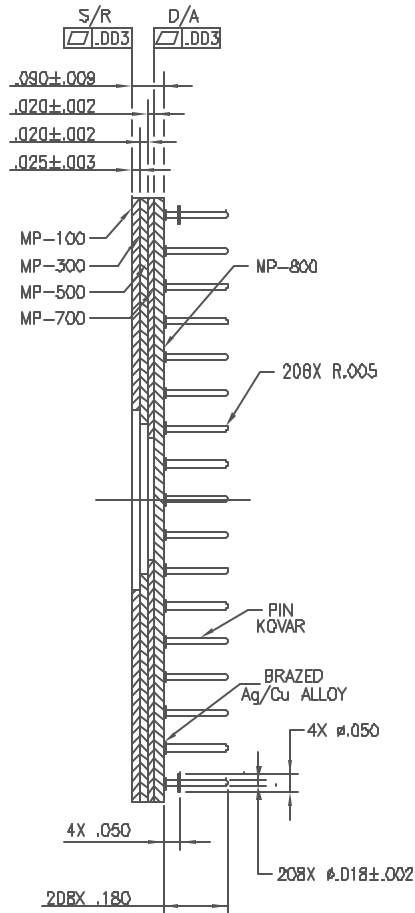


SSM P/N CPG20808

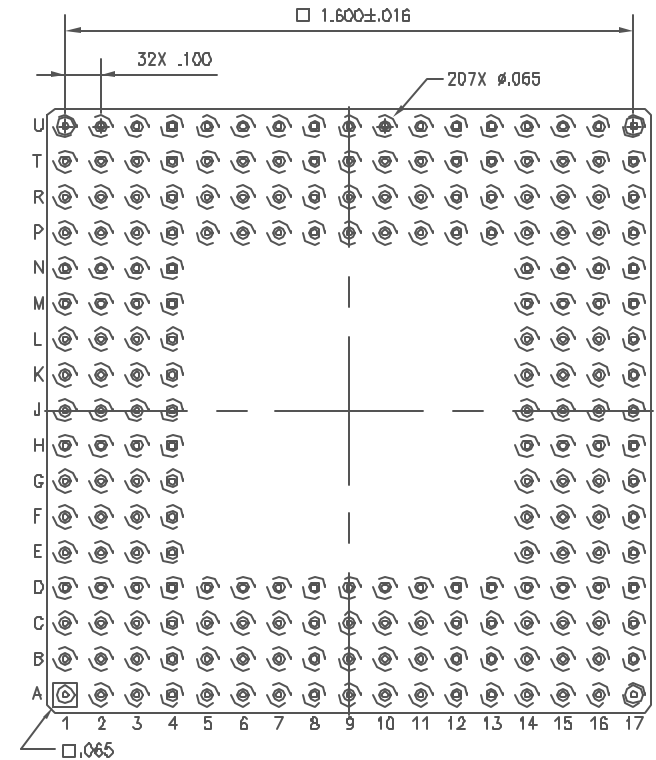


NOTES:

- METALLIZATION/PLATING:
TUNGSTEN/NICKEL (50~350 μ) AND GOLD (80 μ MIN.).
- RESISTANCE 1.5 Ω SIGNALS.
INDUCTANCE 15 nH SIGNALS.
CAPACITANCE 3pF (PIN TO PIN)
- REFERENCE KYOCERA DWG. # SD-560-0624.



REVISIONS			
LTR.	DESCRIPTION	DATE	APPROVAL

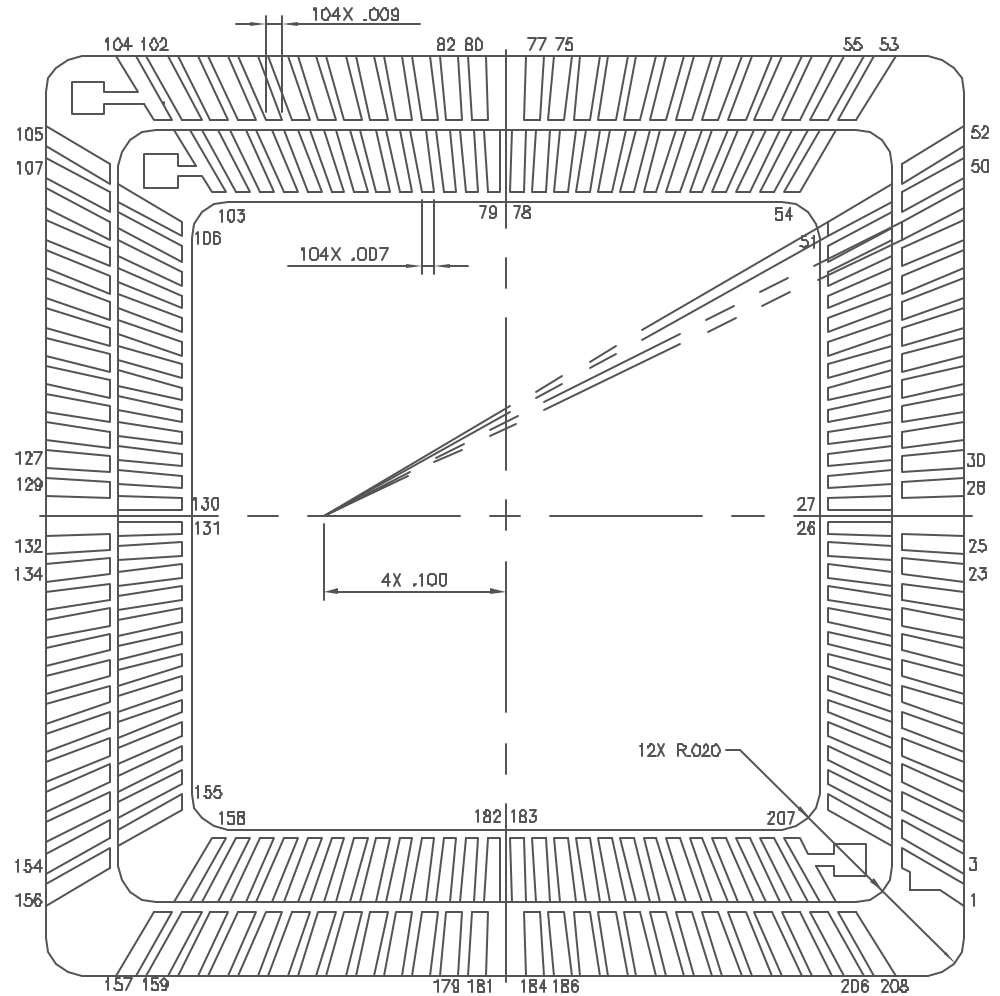


Controlling Units millimeters <input type="checkbox"/> inches <input checked="" type="checkbox"/> .X=±.1 .XX=±.02 .XXX=±.005 .XXXX=±.0002 Angles=±2°	PJ Drawn	B-B-00				
	Check	Date	20B CPGA			
	Approved	Date	Code Ident	Size	Drawing No.	Rev
	Approved	Date	NP	B	6300642	A
		Scale	3:1	CAD File No.	0642PK0	Sheet 1 of 2



SSM P/N CPG20808

PIN No.	PAD No.	PIN No.	PAD No.	PIN No.	PAD No.	PIN No.	PAD No.
1	B2	53	T2	105	T16	157	B16
2	D3	54	R4	106	P15	158	C14
3	B1	55	U2	107	T17	159	A16
4	E4	56	P5	108	N14	180	D13
5	C2	57	T3	109	R16	161	B15
6	E3	58	R5	110	N15	162	C13
7	C1	59	U3	111	R17	163	A15
8	F4	60	P6	112	M14	164	D12
9	D2	61	T4	113	P16	165	B14
10	F3	62	R6	114	M15	166	C12
11	D1	63	U4	115	P17	167	A14
12	G4	64	P7	116	L14	168	D11
13	E2	65	T5	117	N16	169	B13
14	G3	66	R7	118	L15	170	C11
15	E1	67	U5	119	N17	171	A13
16	H3	68	R8	120	K15	172	C10
17	F2	69	T6	121	M16	173	B12
18	H4	70	P8	122	K14	174	D10
19	F1	71	U6	123	M17	175	A12
20	H2	72	T8	124	K16	176	B10
21	G2	73	T7	125	L16	177	B11
22	J2	74	T9	126	J16	178	B9
23	G1	75	U7	127	L17	179	A11
24	J3	76	R9	128	J15	180	C9
25	H1	77	U8	129	K17	181	A10
26	J4	78	P9	130	J14	182	D9
27	J1	79	U9	131	J17	183	A9
28	K2	80	T10	132	H16	184	B8
29	K1	81	U10	133	H17	185	A8
30	K3	82	R10	134	H15	186	C8
31	L1	83	U11	135	G17	187	A7
32	K4	84	P10	136	H14	188	D8
33	M1	85	U12	137	F17	189	A6
34	L2	86	T11	138	G16	190	B7
35	N1	87	U13	139	E17	191	A5
36	L3	88	R11	140	G15	192	C7
37	M2	89	T12	141	F16	193	B6
38	L4	90	P11	142	G14	194	D7
39	P1	91	U14	143	D17	195	A4
40	M3	92	R12	144	F15	196	C6
41	N2	93	T13	145	E16	197	B5
42	M4	94	P12	146	F14	198	D6
43	R1	95	U15	147	C17	199	A3
44	N3	96	R13	148	E15	200	C5
45	P2	97	T14	149	D16	201	B4
46	N4	98	P13	150	E14	202	D5
47	T1	99	U16	151	B17	203	A2
48	P3	100	R14	152	D15	204	C4
49	R2	101	T15	153	C16	205	B3
50	P4	102	P14	154	D14	206	D4
51	U1	103	U17	155	A17	207	A1
52	R3	104	R15	156	C15	208	C3



REVISIONS			
LTR.	DESCRIPTION	DATE	APPROVAL

Controlling Units millimeters <input type="checkbox"/> Inches <input checked="" type="checkbox"/>	PJ Drawn	8-8-00 Date	208 CPGA		
.X=±.1 .XX=±.02 .XXX=±.005 .XXXX=±.0002 Angles=±2°	Check	Date	Code Ident NP	Size B	Drawing No. 6300642
FO1802&B	Approved	Date	Scale N.T.S.	CAD File No. 0642PK0	Rev A
	Approved	Date			Sheet 2 of 2

