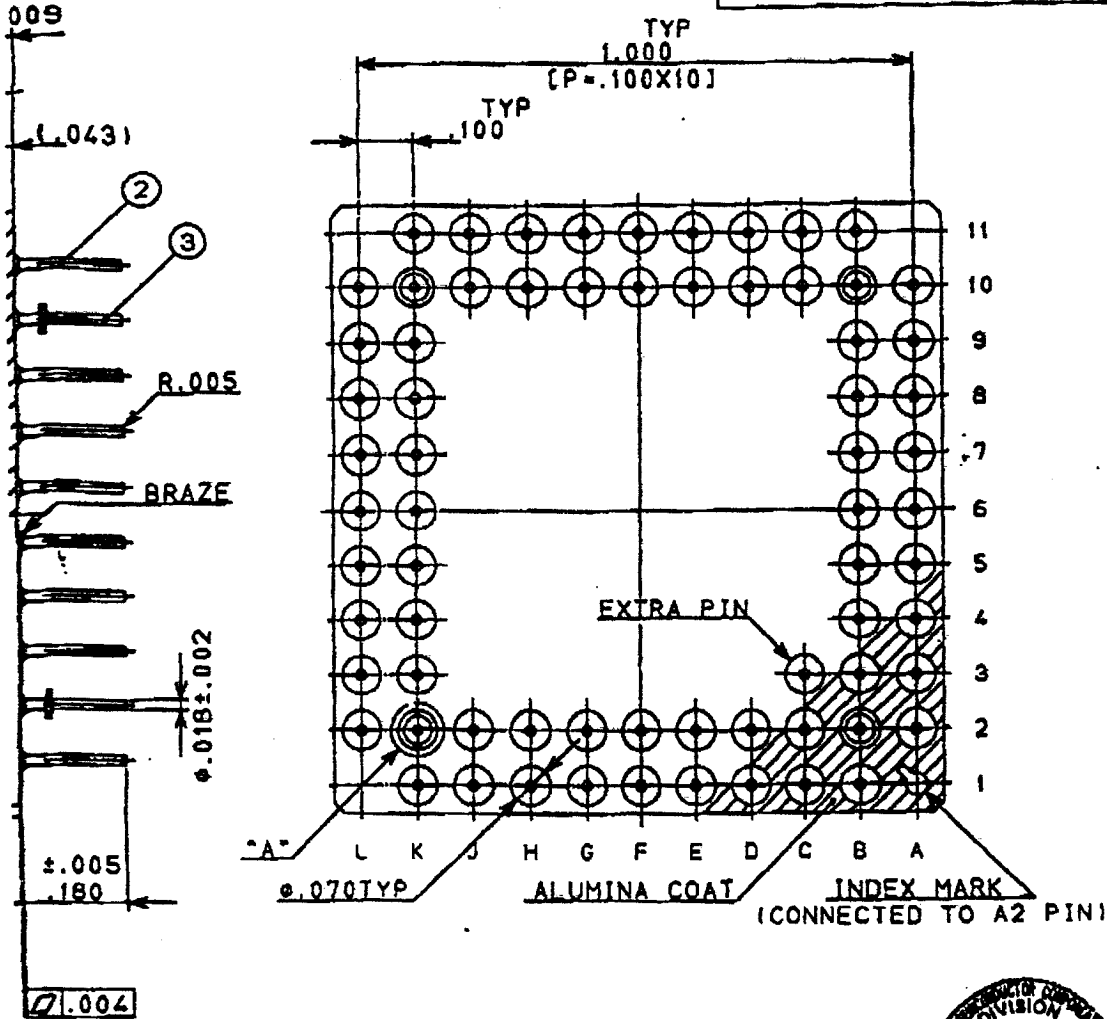


TK

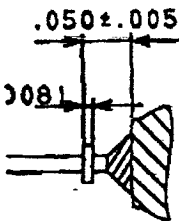
TECHNICAL CERAMICS

LATEST REVISION'S DESCRIPTION

2/3



H PAD.



DRAWING FOR APPROVAL
 APPROVED BY
 NTK SEMICONDUCTOR COMPONENTS DIVISION

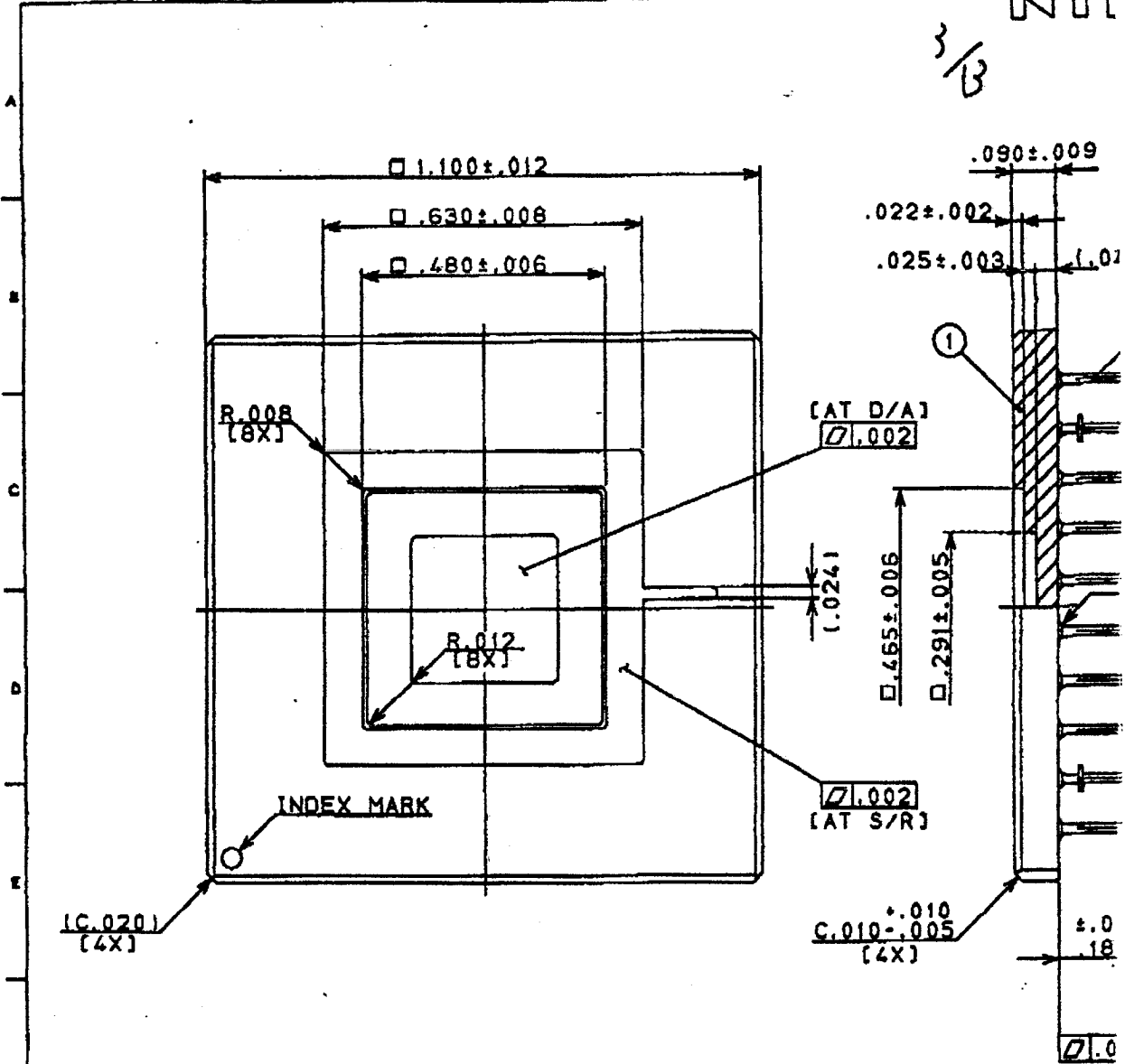


3	STAND OFF PIN	KOVAR			
2	PIN	KOVAR			
1	CERAMIC	BLACK ALUMINA			
Item	No.	Material	Description	Rev.	Date
UNLESS OTHERWISE SPECIFIED TOLERANCES: ± .005			DRAWN T. TORII	NEW DRAWING	SEP - 03 - 1997
M. L. T. 3 DECIMALS - .01 & .01			CHECKED K. ABE	NTK TECHNICAL CERAMICS NGK SPARK PLUG CO., LTD	
CUSTOMER SPECTRUM			APPROVED / [Signature]	TITLE 68 PIN GRID ARRAY	
DWG NO.			UNITS INCH	DWG NO.	SIZE A-2 (C)
			SCALE	IPK68F1-8548C	

SHEET 1 OF 2 M.H

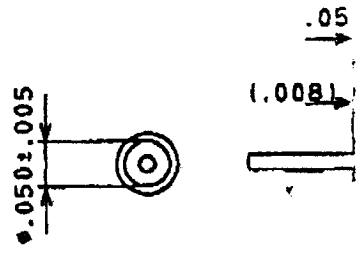
BL
9/5

3/B



NOTES:

- 1. GOLD PLATE 60~225 μ INCHES OVER 100~350 μ INCHES NICKEL.
- 2. NO LEAD TO BE ELECTRICALLY CONNECTED TO THE DIE ATTACH PA. SEAL RING ISOLATED.
- 3. LEAD RESISTANCE : 500m Ω MAX.
- 4. EXTRA PIN CONNECTED TO C2 PIN.



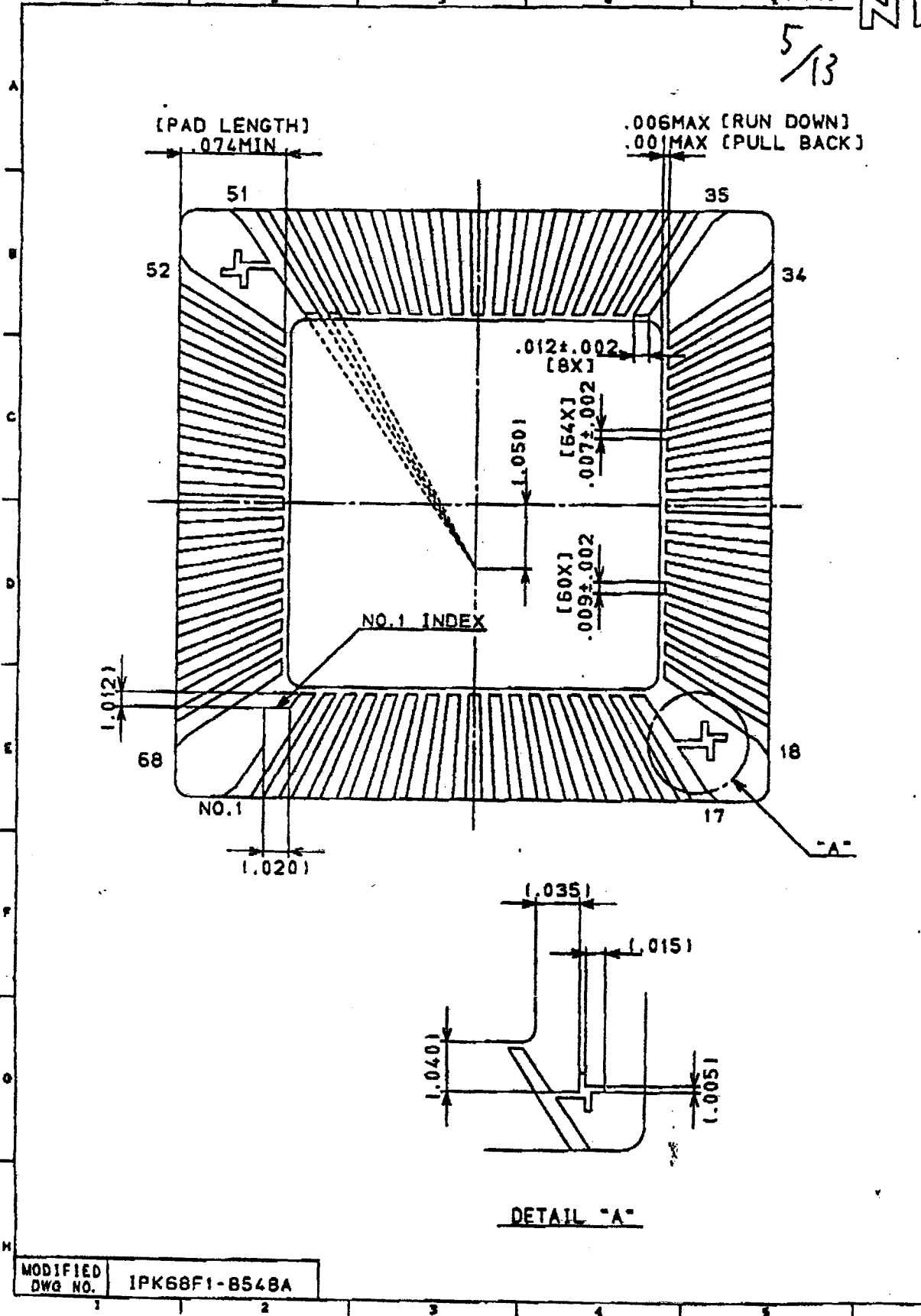
DETAIL "A"

MODIFIED DWG. NO.	IPK68F1-8548A
-------------------	---------------

PN 9-5

NTI

5/13



MODIFIED DWG NO.	IPK68F1-8548A
---------------------	---------------

Handwritten initials/signature

TK

TECHNICAL CERAMICS

LATEST REVISION'S DESCRIPTION

4/13

CONNECTION TABLE

PAD	PIN	PAD	PIN	PAD	PIN	PAD	PIN
1	B2	18	K2	35	K10	52	B10
2	B1	19	L2	36	K11	53	A10
3	C2	20	K3	37	J10	54	B9
4	C1	21	L3	38	J11	55	A9
5	D2	22	K4	39	H10	56	B8
6	D1	23	L4	40	H11	57	A8
7	E2	24	K5	41	G10	58	B7
8	E1	25	L5	42	G11	59	A7
9	F2	26	K6	43	F10	60	B6
10	F1	27	L6	44	F11	61	A6
11	G2	28	K7	45	E10	62	B5
12	G1	29	L7	46	E11	63	A5
13	H2	30	K8	47	D10	64	B4
14	H1	31	L8	48	D11	65	A4
15	J2	32	K9	49	C10	66	B3
16	J1	33	L9	50	C11	67	A3
17	K1	34	L10	51	B11	68	A2



DRAWING FOR APPROVAL
 APPROVED BY _____
 NTK SEMICONDUCTOR COMPONENTS DIVISION

NEW DRAWING SEP-05-1997
 Rev. Description Date

UNLESS OTHERWISE SPECIFIED TOLERANCES: ± .015 N. L. T. DECIMALS: .01 & .015 DECIMALS: .01 & .015	DRAWN T. TORII CHECKED <i>Labels</i> APPROVED <i>SHIMAZAKI</i> UNIT INCH SCALE /	NTK TECHNICAL CERAMICS NGK SPARK PLUG CO., LTD. TITLE B/G PADS DETAIL & CONNECTION TABLE DWG NO. IPK68F1-8548C SIZE A-2 1/2
CUSTOMER SPECTRUM DWG NO. _____		

*Pr
9-5*