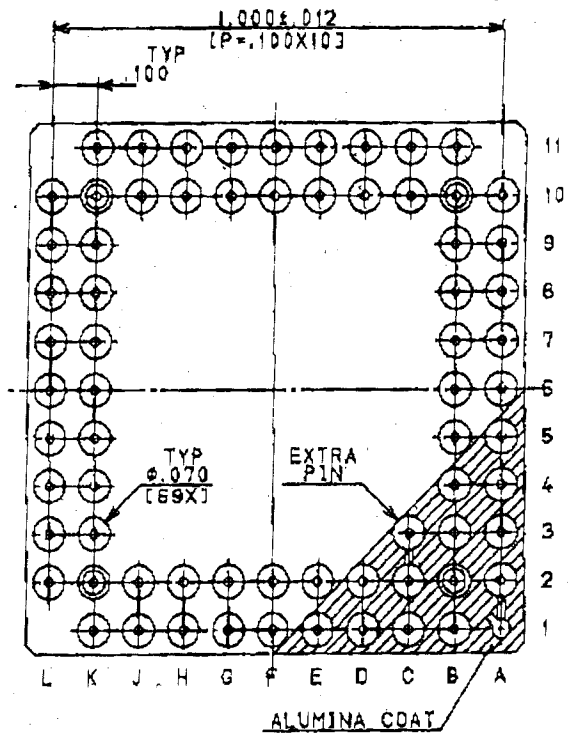
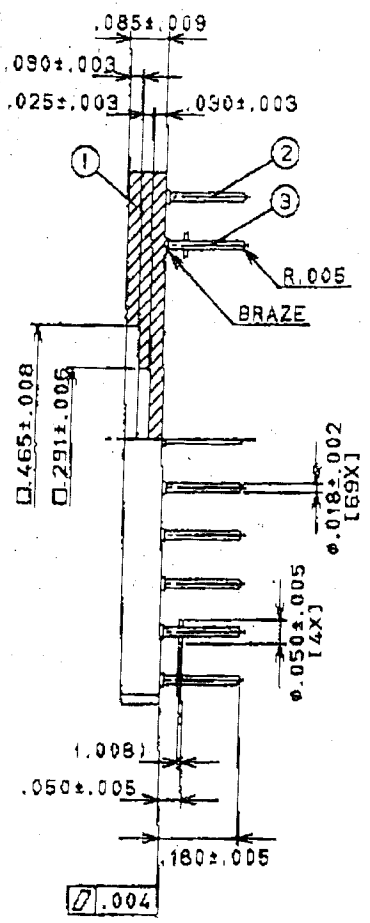
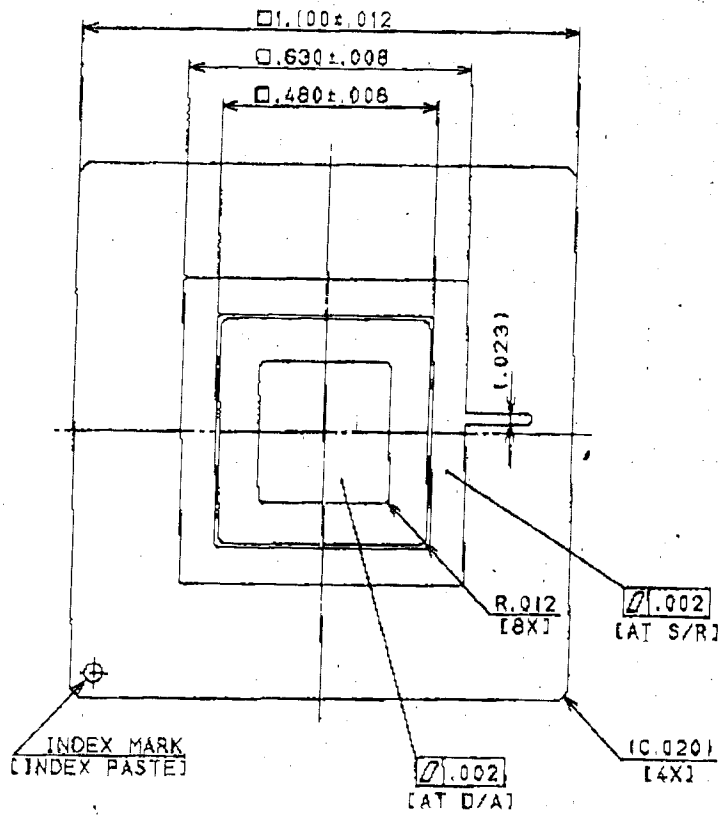


NTK

TECHNICAL CERAMICS

LATEST REVISION'S DESCRIPTION

C
ADDED CUSTOMER'S P/N.



- NOTES:
1. GOLD PLATE $60 \sim 225 \mu$ INCHES OVER!
 $80 \sim 350 \mu$ INCHES NICKEL.
 2. NO LEAD TO BE ELECTRICALLY CONNECTED TO DIE ATTACH PAD. SEAL RING ISOLATED.
 3. LEAD RESISTANCE: 500mΩ MAX
 4. EXTRA PIN CONNECTED TO C2 PIN.
 5. ALPHATEC SPEC #MP-1-007 SHALL APPLY.

3	STAND OFF PIN	KOVAR			
2	PIN	KOVAR			
1	CERAMIC	BLACK ALUMINA			
Rev.	Description	Date			
C	RE DRAWING	NOV-1987			
B	RE DRAWING	AUG-1987			
A	RE DRAWING	FEB-1992			
φ	NEW DRAWING	DEC-29-1987			
DRAWN			N. KAWAI	NTK'S TECHNICAL CERAM	
CHECKED				NGK SPARK PLUG CO.	
APPROVED				TITLE	
UNIT			INCH	88 PIN GRID ARRAY	
SCALE				Dwg No. IPK68F1-8143GA	
MATERIAL				SHEET 1 OF 2	

MODIFIED
DWG NO.

No. 35222
2/3

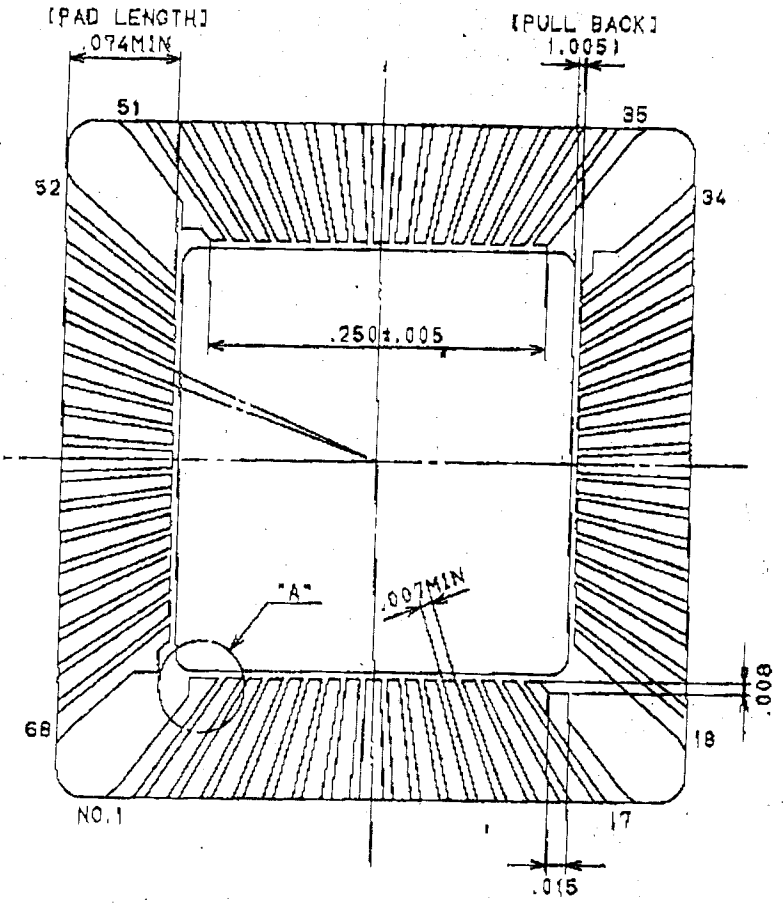
3/3

NTK

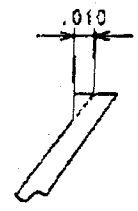
TECHNICAL CERAMICS

LATEST REVISION'S DESCRIPTION

C
ADDED CUSTOMER'S P/N.



B/G PADS DETAIL



DETAIL "A"
(NO.1 INDEX)

CONNECTION TABLE

PAD	PIN	PAD	PIN	PAD	PIN	PAD	PIN
1	B2	18	K2	35	K10	52	B10
2	B1	19	L2	36	K11	53	A10
3	C2	20	K3	37	J10	54	B9
4	C1	21	L3	38	J11	55	A9
5	D2	22	K4	39	H10	56	B8
6	D1	23	L4	40	H11	57	A8
7	E2	24	K5	41	G10	58	B7
8	E1	25	L5	42	G11	59	A7
9	F2	26	K6	43	F10	60	B6
10	F1	27	L6	44	F11	61	A6
11	G2	28	K7	45	E10	62	B5
12	G1	29	L7	46	E11	63	A5
13	H2	30	K8	47	D10	64	B4
14	H1	31	L8	48	D11	65	A4
15	J2	32	K9	49	C10	66	B3
16	J1	33	L9	50	C11	67	A3
17	K1	34	L10	51	B11	68	A2

MODIFIED DWG NO.

UNLESS OTHERWISE SPECIFIED TOLERANCES: ± .001 N. L. T. 1.000 CUSTOMER	DRAWN N. KAWAI CHECKED APPROVED UNIT INCH SCALE	NTK TECHNICAL CERAMICS NGK SPARK PLUG CO. TYPE B/G PADS DET. & CONNECTION TABLE P/N NO. IPK68F1-81430A
--	---	---

C	RE DRAWING	NOV -75
A	RE DRAWING	FEB -79
φ	NEW DRAWING	DEC -29 -1987

No. 3522
3/3