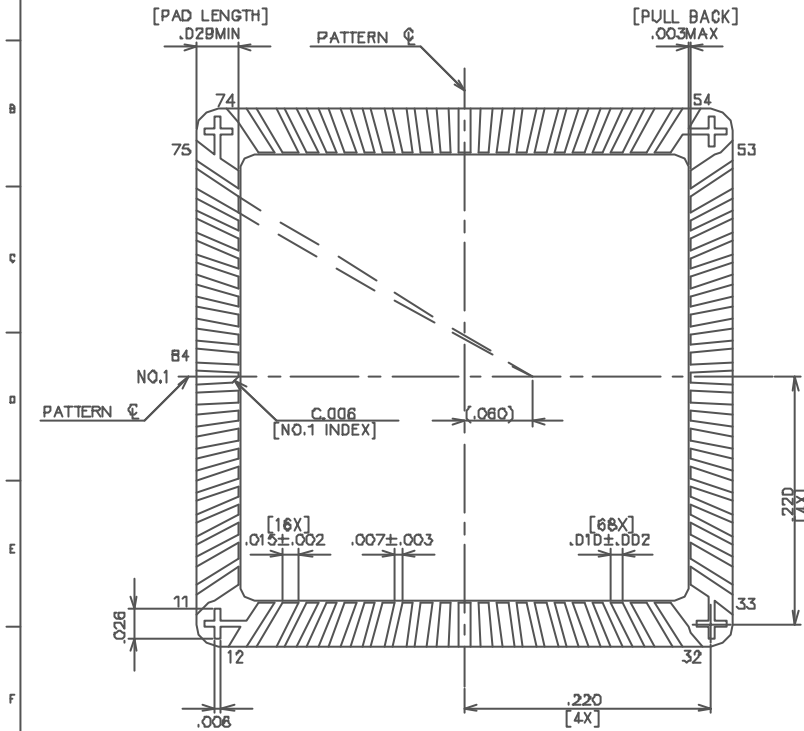




TECHNICAL OPERATIONS

LATEST REVISION'S DISCRPTION



B/G PADS DETAIL

CONNECTION TABLE (PAD-PIN)

PAD	PIN	PAD	PIN	PAD	PIN
1	F1	29	H7	57	A8
2	F2	30	K10	58	C7
3	F3	31	J8	59	B7
4	G1	32	J9	60	A7
5	H1	33	H8	61	B6
6	G2	34	H9	62	C6
7	J1	35	J10	63	A6
8	G3	36	H10	64	A5
9	K1	37	G8	65	B5
10	H2	38	G9	66	C5
11	J2	39	G10	67	A4
12	H3	40	F9	68	A3
13	J3	41	F8	69	B4
14	K2	42	F10	70	A2
15	K3	43	E10	71	C4
16	H4	44	E9	72	A1
17	J4	45	E8	73	B3
18	K4	46	D10	74	B2
19	J5	47	C10	75	C3
20	H5	48	D9	76	C2
21	K5	49	B10	77	B1
22	K6	50	D8	78	C1
23	J6	51	A10	79	D3
24	H6	52	C9	80	D2
25	K7	53	B9	81	D1
26	K8	54	C8	82	E2
27	J7	55	B8	83	E3
28	K9	56	A9	84	E1

MODIFIED DWG NO. IPKB4F1-B674E

UNLESS OTHERWISE SPECIFIED TOLERANCES ARE: .1% N.L.T. 2 DECIMALS XXX 6411 3 DECIMALS XXXX XXXX

DRAWN Y.SUZUKI
CHECKED S.MAFHARA

NTK TECHNICAL CERAMICS
NGK SPARK PLUG CO. LTD

CUSTOMER SPECTRUM
DWG NO.

APPROVED
UNIT INCH
SCALE

TITLE B/G PADS DETAIL & CONNECTION TABLE
DRAW NO. IPKB4F1-B674F
SIZE A-2 (b)

PART NO.

SHEET 2 OF 2

