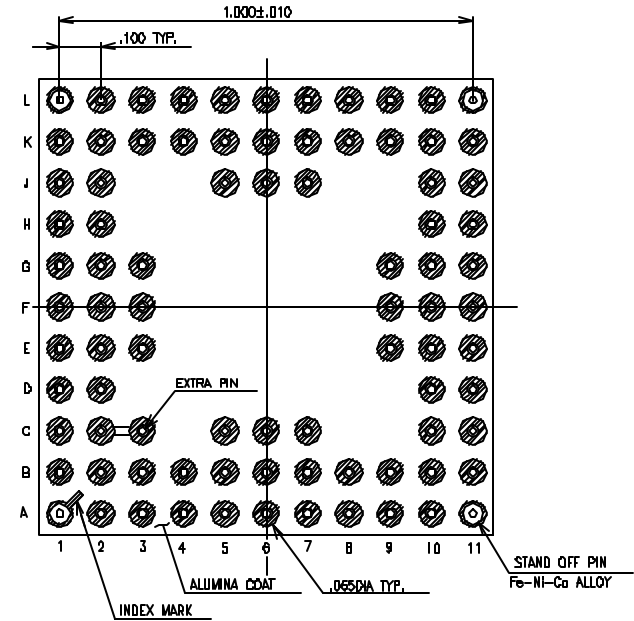
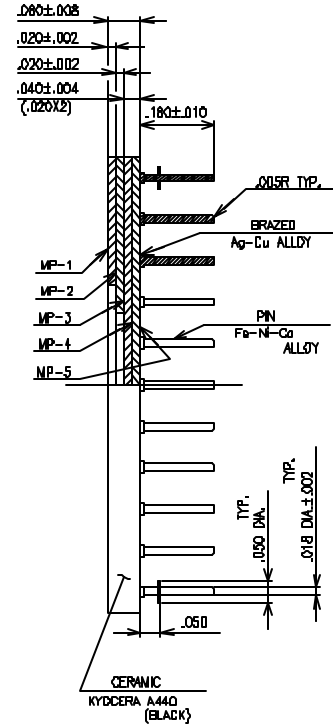
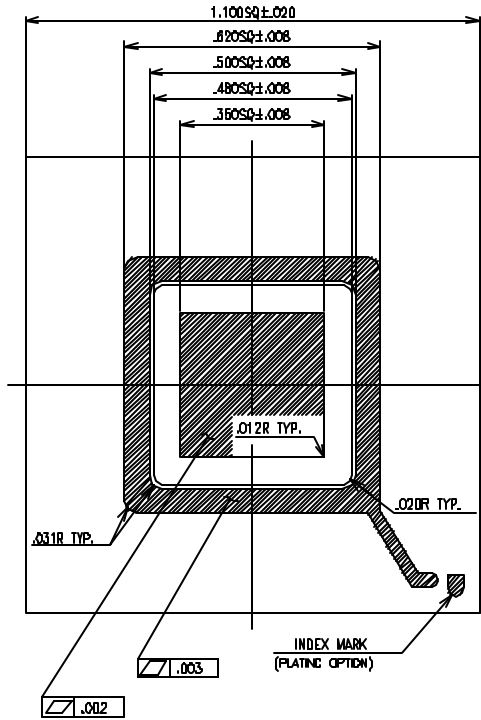


SSM P/N CPG08449



NOTES:
 1.PLATING THICKNESS TO BE PER CUSTOMER'S SPECIFICATION.
 2.SEAL AREA TO BE METALLIZED.
 3.DIE ATTACH AREA TO BE METALLIZED.
 4.SEAL RING AND DIE ATTACH PAD TO BE FLOATING FROM ANY PINS.
 5.LEAD RESISTANCE:
 B/F NO.1,11,22,32,43,53,64,74----300MΩMINMAX.
 THE OTHERS-----800MΩMINMAX.


MODIFICATION						NAME	85 PIN GRID ARRAY PACKAGE	TOLERANCE	±.005	PB085AH497-1			S-0
						SCALE	5/1	MINIMUM INCREMENT	0.005	DRAWN	CHEKED	APPROVED	DATE
						MATERIAL	AS INDICATED	MINIMUM PITCH	0.005	C.J	AT/SN	H.SA	MAR 31 1991
						CHANGED				DATE	DRAWN	CHEKED	APPROVED
										DRAWING NO.		KD-P99497	SHEET
										KYDCERA CORPORATION			1/8
										KYOTO JAPAN			



WIRE BOND PAD / CONNECTOR PIN INTERCONNECTION PLAN

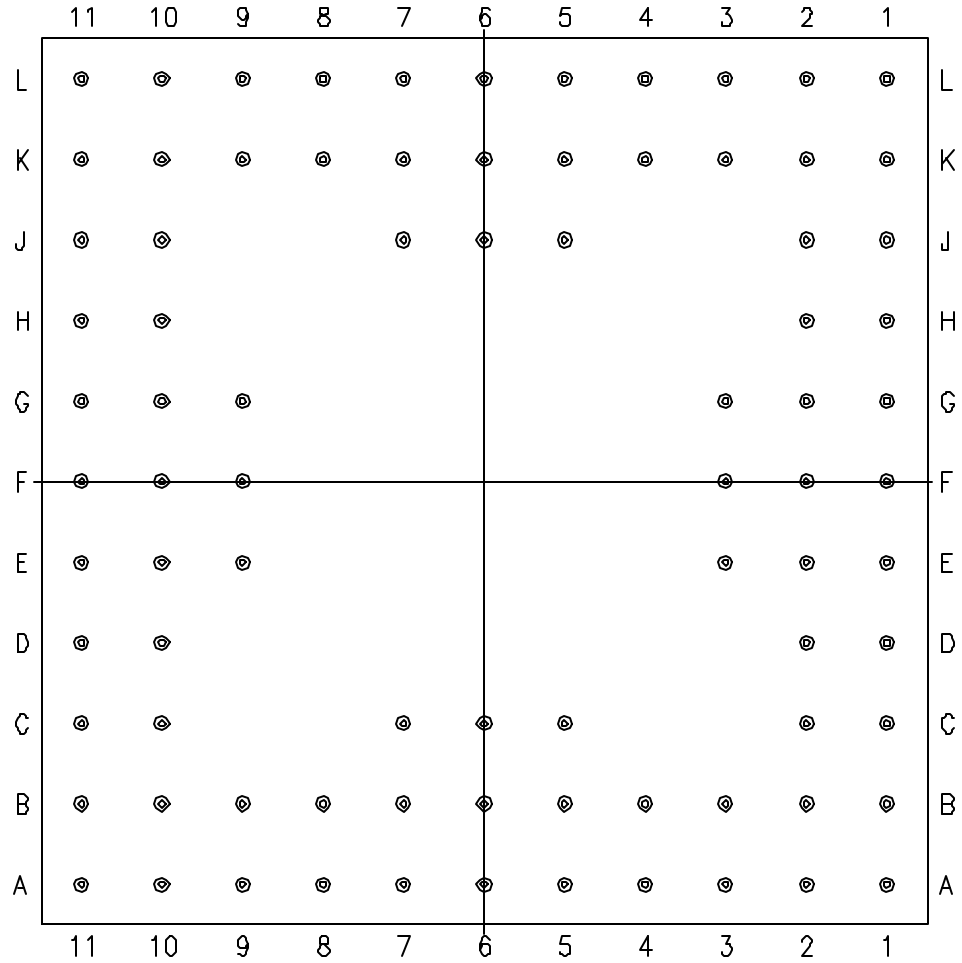
W/B NO.	PIN NO.	W/B NO.	PIN NO.	W/B NO.	PIN NO.	W/B NO.	PIN NO.	W/B NO.	PIN NO.
1	B2	21	L1	41	K9	61	B11	81	A3
2	C2,C3	22	K2	42	L11	62	C10	82	A2
3	B1	23	K3	43	K10	63	A11	83	B3
4	C1	24	L2	44	J10	64	B10	84	A1
5	D2	25	L3	45	K11	65	B9		
6	D1	26	K4	46	J11	66	A10		
7	F2	27	L4	47	H10	67	A9		
8	E2	28	K6	48	H11	68	B8		
9	E1	29	K5	49	G9	69	A8		
10	E3	30	L5	50	G10	70	C7		
11	F3	31	J5	51	G11	71	B7		
12	F1	32	J6	52	F10	72	A7		
13	G1	33	L6	53	F9	73	B6		
14	G2	34	L7	54	E9	74	C6		
15	G3	35	K7	55	E11	75	C5		
16	H1	36	J7	56	E10	76	A5		
17	H2	37	L8	57	F11	77	B5		
18	J1	38	K8	58	D11	78	A6		
19	K1	39	L9	59	D10	79	A4		
20	J2	40	L10	60	C11	80	B4		

S/R	NC
D/A	NC
EXTRAPIN (C3)	C2

MODIFICATION						NAME 85 PIN GRID ARRAY PACKAGE	TOLERANCE UNLESS OTHERWISE SPECIFIED	DRAWN C.I	CHECKED A.F/S.N	APPROVED H.SA	DATE MAR.23.99
						SCALE X	MATERIAL				
							1000 ANGLE PROJECTION				
	CHANGED	DATE	DRAWN	CHECKED	APPROVED		KYOCERA CORPORATION KYOTO JAPAN	DRAWING NO. KD-P99497	SHEET 3/8		



SSM P/N CPG08449

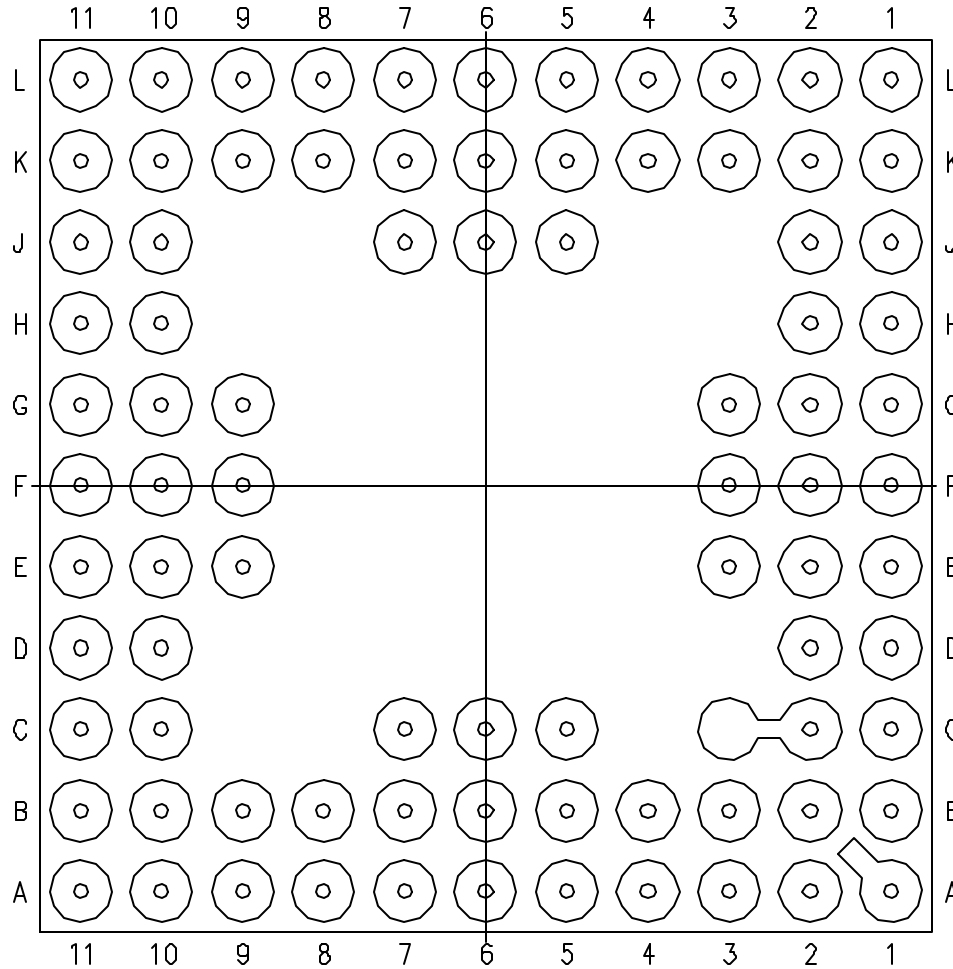


MP-4

MODIFICATION					NAME	TOLERANCE	DRAWN	CHECKED	APPROVED	DATE
					85 PIN BRD ARRAY PACKAGE	UNLESS OTHERWISE SPECIFIED	C.J.	AJ/SN	H.S.A	MM/YY
					SCALE 10/1	MATERIAL				
						THIS WILL PRELIMINARY				
	CHANGED	DATE	DRAWN	CHECKED	APPROVED		KYOCERA CORPORATION KYOTO JAPAN			DRAWING NO. KD-P99497
										SHEET 7/8



SSM P/N CPG08449



MP-5
 (TOP VIEW)

MODIFICATION					NAME	TOLERANCE	DRAWN	CHECKED	APPROVED	DATE
					85 PIN GRID ARRAY PACKAGE	UNLESS OTHERWISE SPECIFIED	C.I.	AF/SJ	H.S.A.	MAR23/98
					SCALE 10/1	MATERIAL				
						NON-ASME DIMENSIONS				
	CHANGED			DATE	DRAWN	CHECKED	APPROVED	DRAWING NO.		SHEET
								KD-P99497		8/8

