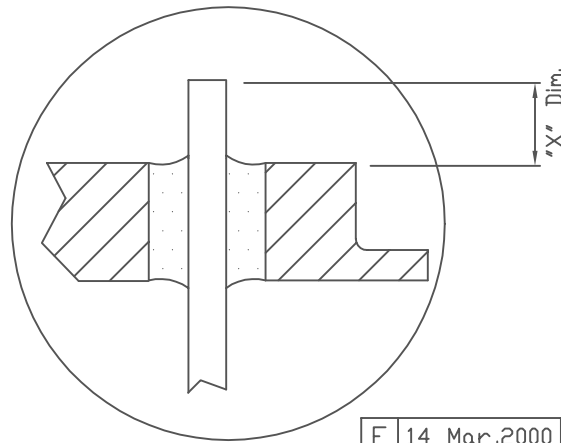
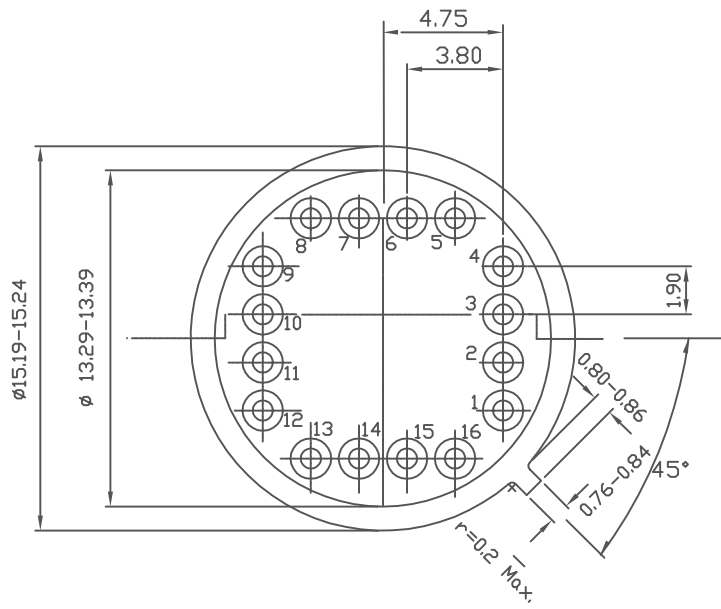


Vers.	"X" Dim.	"Y" Dim.	Thru Leads config.	Option	FINISHING
A	0.25-0.50	12.70-14.20	ALL	A	1.50 Mic. mm. Au av.
B	0.25-0.50	12.70-14.20	ALL	B	
C	0.25-0.50	12.70-14.20	ALL	A	3.00-6.00 Mic. mm. Electroless Ni + 0.6 Mic. mm. Au.
D	0.25-0.50	12.70-14.20	ALL	B	3.00-6.00 Mic. mm. Electroless Ni + 1.27 Mic. mm Au Av.
E	5.85-6.15	12.70-14.20	ALL	B	3.00-6.00 Mic. mm. Electroless Ni
F	3.17-3.43	38.10-39.65	1-4-9-10-11-12	A	3.00-6.00 Mic. mm. Electroless Ni + 1.27 Mic. mm. Au min.
G	0.40-0.60	5.20-5.50	ALL	A	3.00-6.00 Mic.mm Electroless Ni + 1.00 Mic.mm Au min.

Option "A"



F	14 Mar,2000	Add Vers "G".	A008
E	10 Jun,1999	Add Vers "F".	---
C	11 May,1999	Add Vers "E".	---
B	17 Nov,1999	Add Vers "D".	---
A	23 Apr,1999	Redraw CAD, add Vers "C".	---
REV	REVISION DATE	VARIATION DESCRIPTION	ECN No.

	TITLE:	TO 8 - SSM P/N HDR00818	CODICE	4MS016			
	SCALE:	NO	MATERIAL:	KOVAR or EQ.	ULTIMATE REV:	E	
UNIT:	mm	EMISSION DATE:	03 Apr 71	DRAWN BY:	APPROVED BY:	PAGE:	1 OF 1