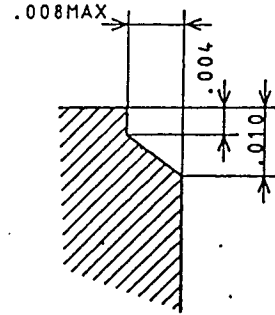
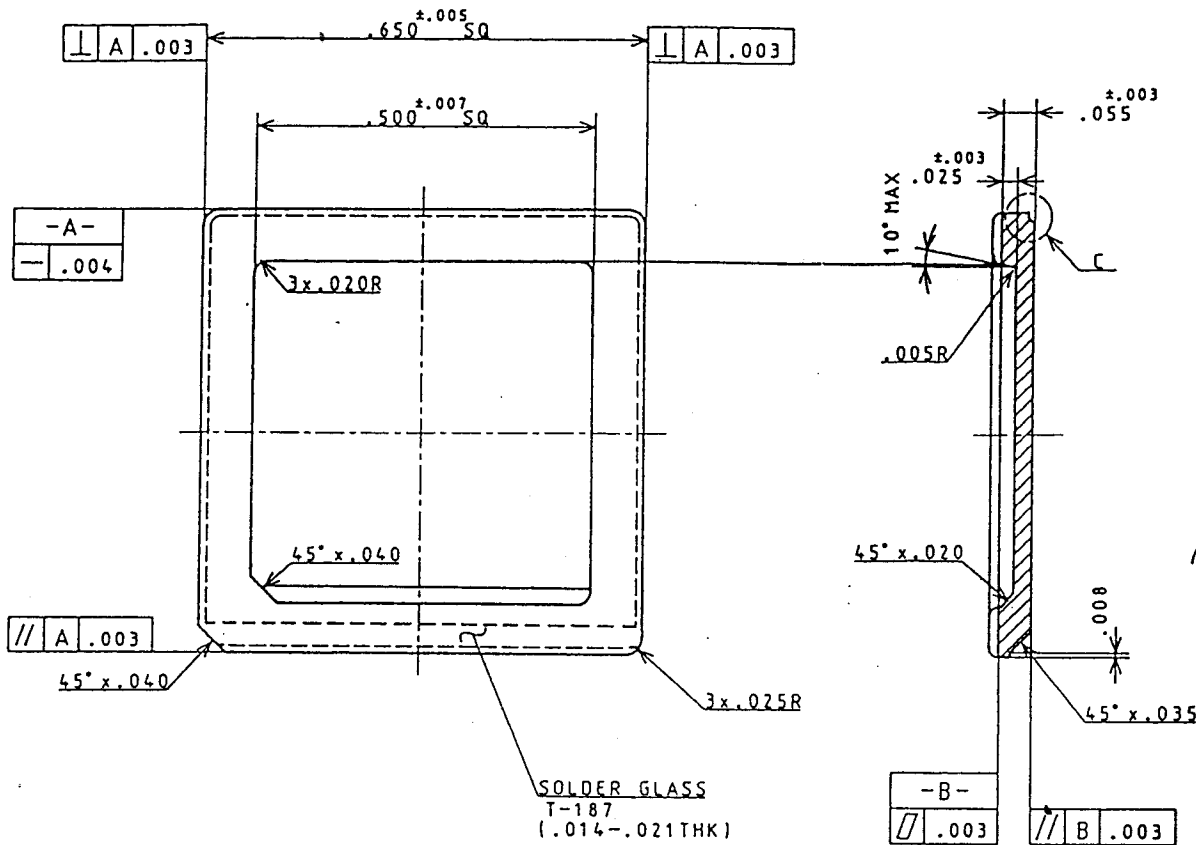


U Z U U



DETAIL C

NOTES: 1. NTK SPEC YS-1004 SHALL APPLY.



| Item Name | Material | Description | Rev. | Description | Date |
|---|---------------|-------------|----------|-----------------------------|-----------|
| CERAMIC | BLACK ALUMINA | | φ | NEW DRAWING | Nov-14-89 |
| UNLESS OTHERWISE SPECIFIED TOLERANCES: ± 1% | | DRAWN | M.SASA | NTK TECHNICAL CERAMICS | |
| N.L.T. 2 DECIMALS, XX ± .01 | | CHECKED | Y. KACHU | NGK SPARK PLUG CO., LTD | |
| 3 DECIMALS, XXX ± .005 | | APPROVED | | TITLE | |
| CUSTOMER | | | | 4 LEAD CERAMIC QUAD 5Y60CAP | |
| DRW NO. | | UNIT | INCH | DWG NO. | SIZE |
| | | SCALE | | G44-7002-40A-2L | A-3 |