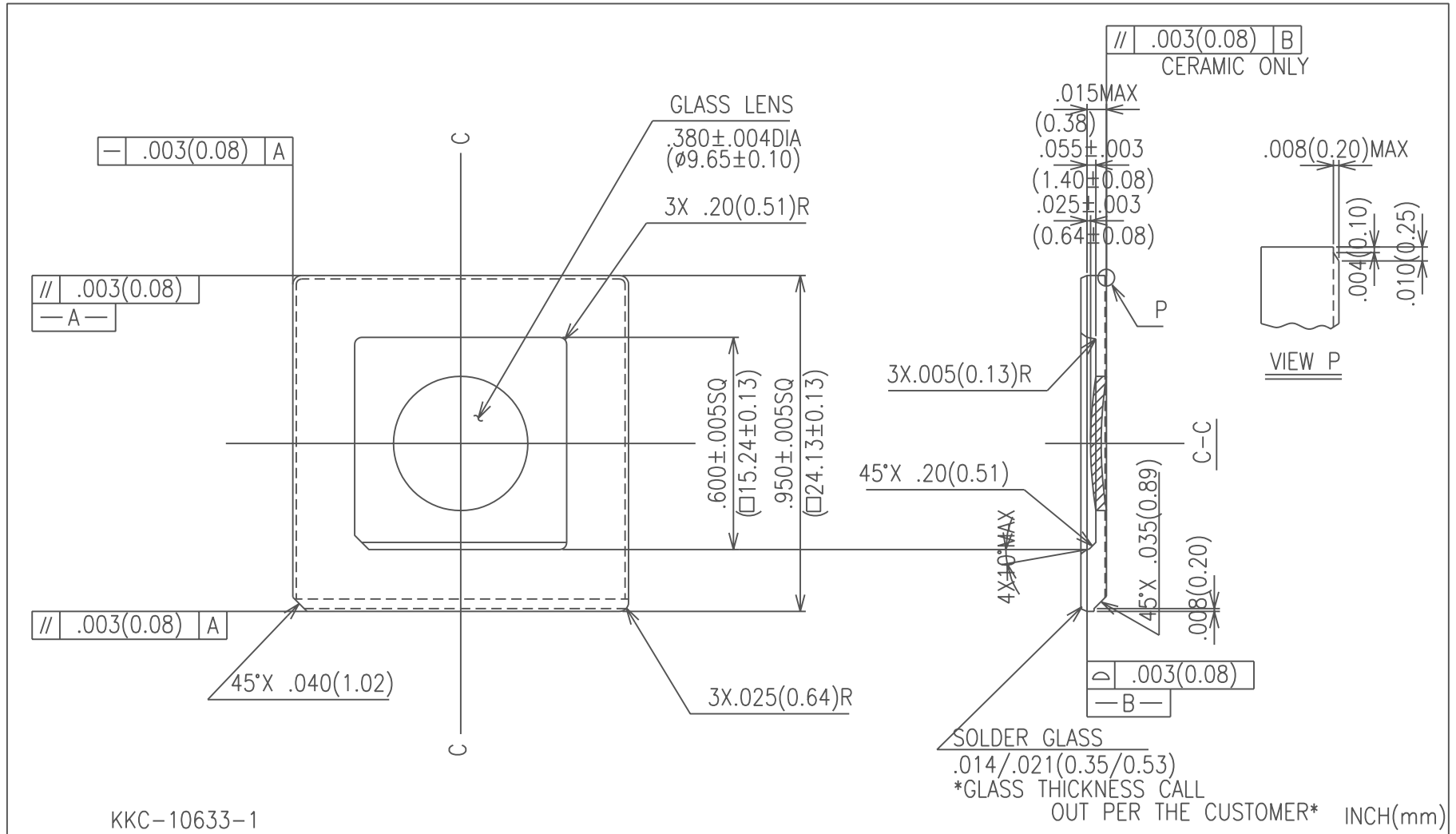



SSM P/N CQC06807



MODIFICATIONS	NAME		TOLERANCES		DRAWN	CHECKED
	68LD CERQUAD CAP 380DIA		UNLESS OTHERWISE SPECIFIED			
	SCALE	MATERIAL			APPROVED	DATE
	FREE	AI2O3 90%MIN (BLACK)				JUN.15'88
 KYOCERA CORPORATION			KYOTO JAPAN	DWG.No	KKC-10669	

