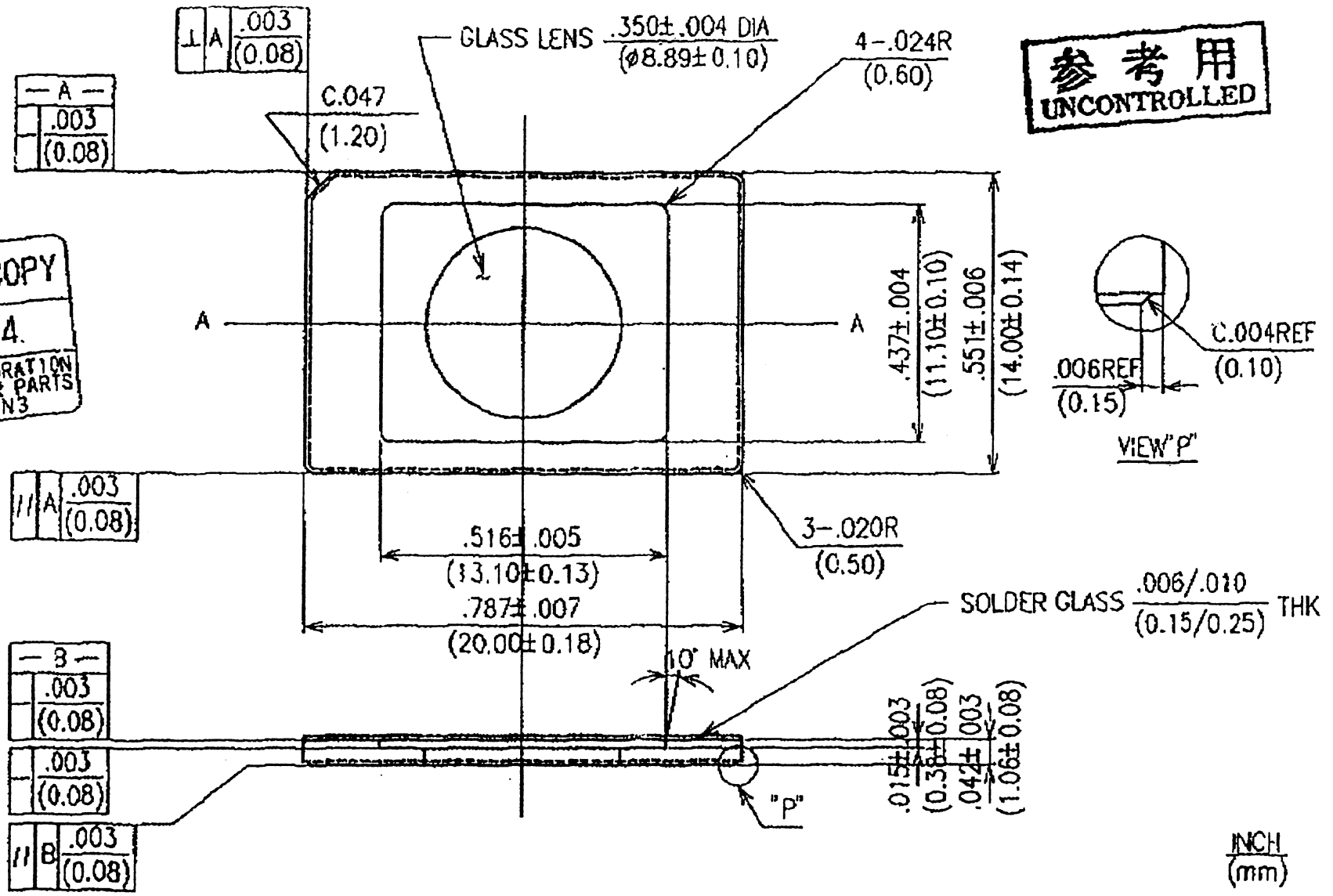


参考用
UNCONTROLLED

CONTROL COPY
96.9.-4.
KYOCERA CORPORATION
SEMICONDUCTOR PARTS
DIVISION 3



A
.003
(0.08)

A
.003
(0.08)

A
.003
(0.08)

B
.003
(0.08)

B
.003
(0.08)

B
.003
(0.08)

INCH
(mm)

NAME 551X787EPROM CAP 350DIA		TOLERANCES UNLESS OTHERWISE SPECIFIED		DRAWN <i>R. Kariyama</i>	CHECKED <i>K. Otsuka</i>
SCALE FREE	MATERIAL Al ₂ O ₃ (BLACK)			APPROVED <i>T. Iwihara</i>	DATE AUG. 29 '96
KYOCERA CORPORATION KYOTO JAPAN		DWG. No. KKC-11546			