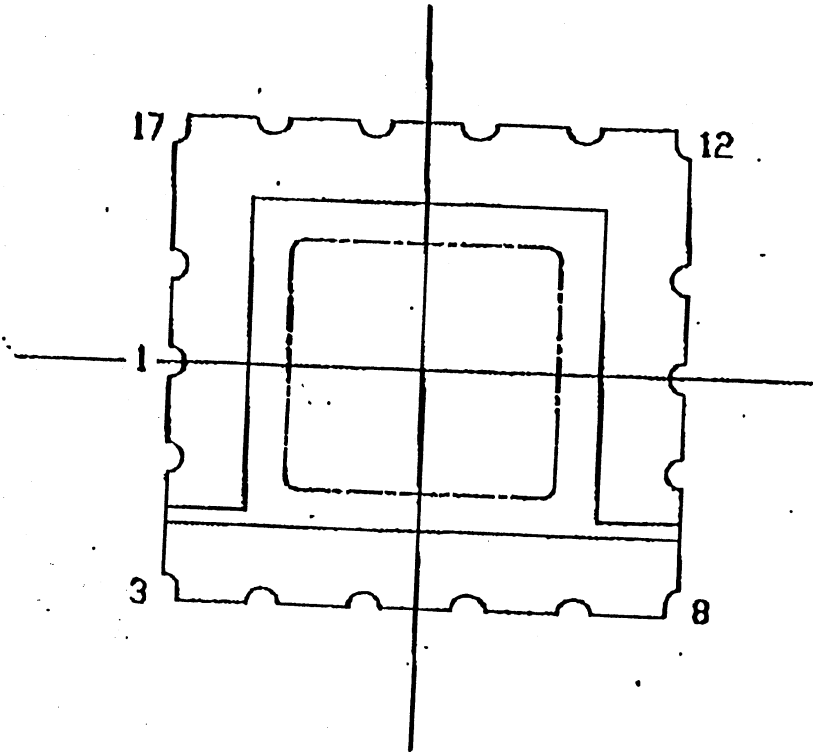


2PA B/F PATTERN



3PA D/A PATTERN

				NAME	18 LCC (.130 SQ.CAV.)		DRAWN		CHECKED	APPROVED	DATE	
				SCALE	15/1	MATERIAL	H.U		A.Y	U.E	M.K	9-22
				KYOCERA KYOCERA CORPORATION KYOTO JAPAN			TOLERANCES: UNLESS OTHERWISE SPECIFIED FRACTIONS DECIMALS ANGLES		DRAWING NO. PB-02605-B		DATE 9-22	
CHANGE	DATE	DRAWN	CHECKED				APPROVED	KYOCERA CORPORATION KYOTO JAPAN		DRAWING NO. PB-02605-B		DATE 9-22