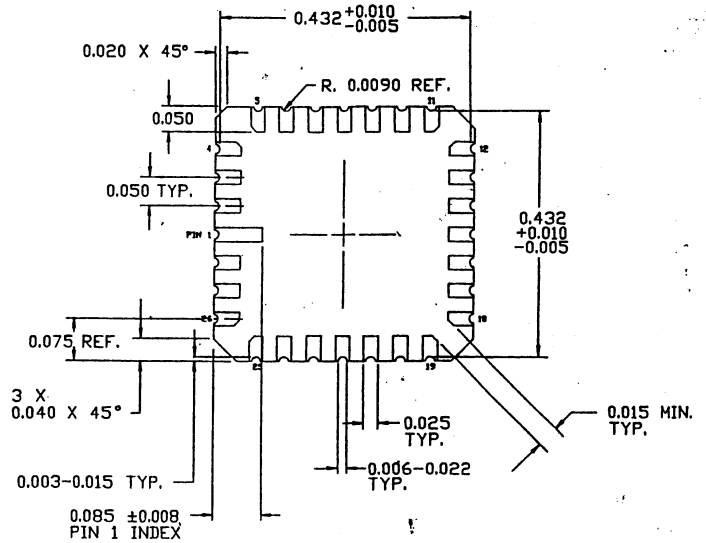
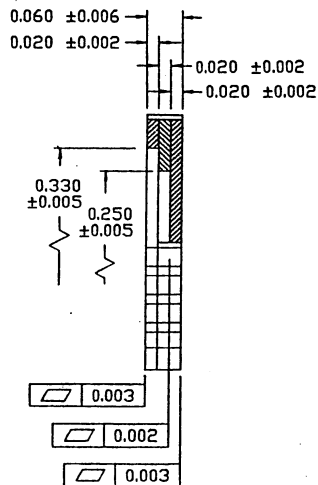
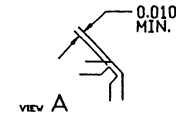
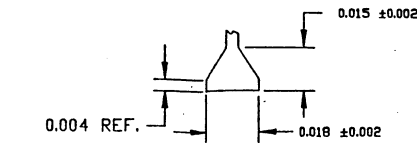
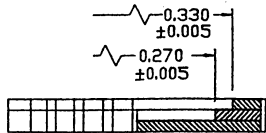
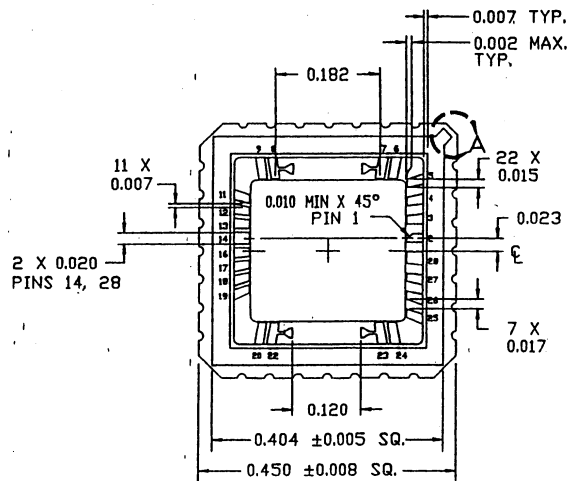


# SSM P/N LCC02803

**NOTES:**

1. INTERPRET DRAWING PER DOD-STD-100.
2. DIMENSIONS ARE TYPICAL FOR ALL QUADRANTS UNLESS OTHERWISE SPECIFIED.
3. FINISH: GOLD PLATE 80μ INCHES MIN. OVER 80μ INCHES MIN. NICKEL.
4. DIE ATTACH CAVITY AND SEAL RING WILL BE ELECTRICALLY ISOLATED.
5. ALL PARTS SHALL CONFORM TO SPECIFICATION NO. 03-00027.
6. EXTERNAL LEADS 1, 10, 15 AND 21 HAVE NO INTERNAL CONNECTION.

REVISIONS					
ZONE	REV	ECN	DESCRIPTION	DATE	APPROVED



UNLESS OTHERWISE SPECIFIED		DESIGNED BY	DATE	<b>LCC02803</b>
ALL DIMENSIONS ARE IN INCHES STANDARD TOLERANCES IN:		DRAWN	DATE	
DECIMALS:	ANGLES	JMB	06/27/90	
XX ± 0.003	±	CHK BY	DATE	
XXX ± 0.0010		APPROVED BY	DATE	TITLE
MATERIAL		APPROVED BY	DATE	28 LD LCC 250 X 270 (4 X 10)
FINISH	SEE NOTE 3			SIZE
				B I
				PART NO.
				DWG NO.
				REV
				3
				SCALE
				5 X
				SHEET
				1 OF 1

