

- NOTES:
1. ALL EXPOSED METALLIZED AREA SHALL BE GOLD PLATE 60 MICRO INCH MIN. THK. OVER NICKEL PLATED UNLESS OTHERWISE SPECIFIED PURCHASE ORDER.
 2. FLATNESS METALLIZED PADS ONLY.
 3. SEAL AREA AND DIE ATTACH AREA SHALL BE ISOLATED FROM ANY LEADS. (ZERO GROUND)

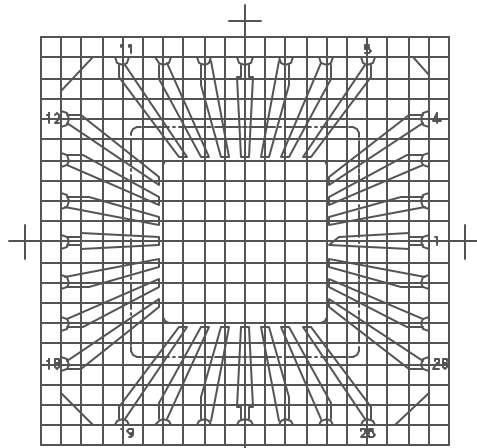
S=0
D=0

-528SGN 123055 AJA-28C

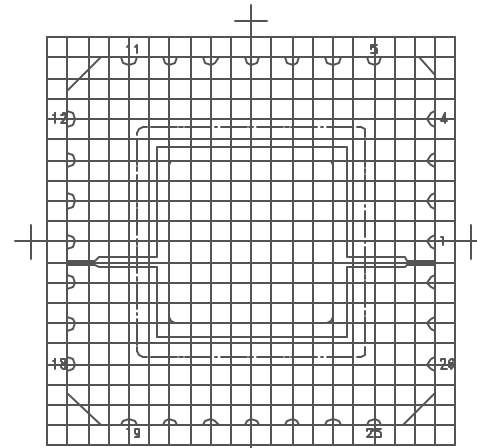
MODIFICATIONS	NAME	28LCC (.200 CAV.)	(AJA-28C)	TOLERANCES	±.005	DRAWN	HJU	CHECKED	TJ/TJ	APPROVED	DATE	3.17.88
	SCALE	10/1	MATERIAL	KYOCERA A-440	REF. ASSEMBLY							
	CHANGE		DWG	DRWN	CHECKED	APPROVED	DRAWING NO.		PB-C87651		SHEET	1/2
							DRAWING NO.		PB-C87651		SHEET	1/2

AJO-28C (PB-85362 MOD)





2PA PATTERN



3PA PATTERN

.025/1 GRID

MODIFICATIONS					NAME	28LCC (.200 CAV.)	TOLERANCES UNLESS OTHERWISE SPECIFIED	DRAWN	CHECKED	APPROVED	DATE
					SCALE	10/1	MATERIAL	HLU	T.I/T.O		3.17.88
							THIS SIDE MILL/EN				
	CHANGE	DATE	DRAWN	CHECKED	APPROVED	KYOCERA CORPORATION KYOTO JAPAN	DRAWING NO.	PB-C87651		SHEET	2/2

