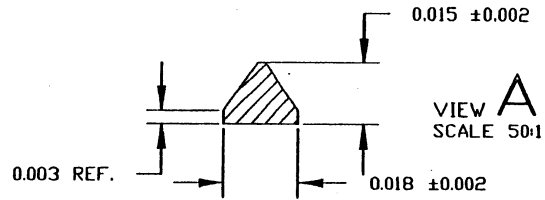


SSM P/N LCC03217

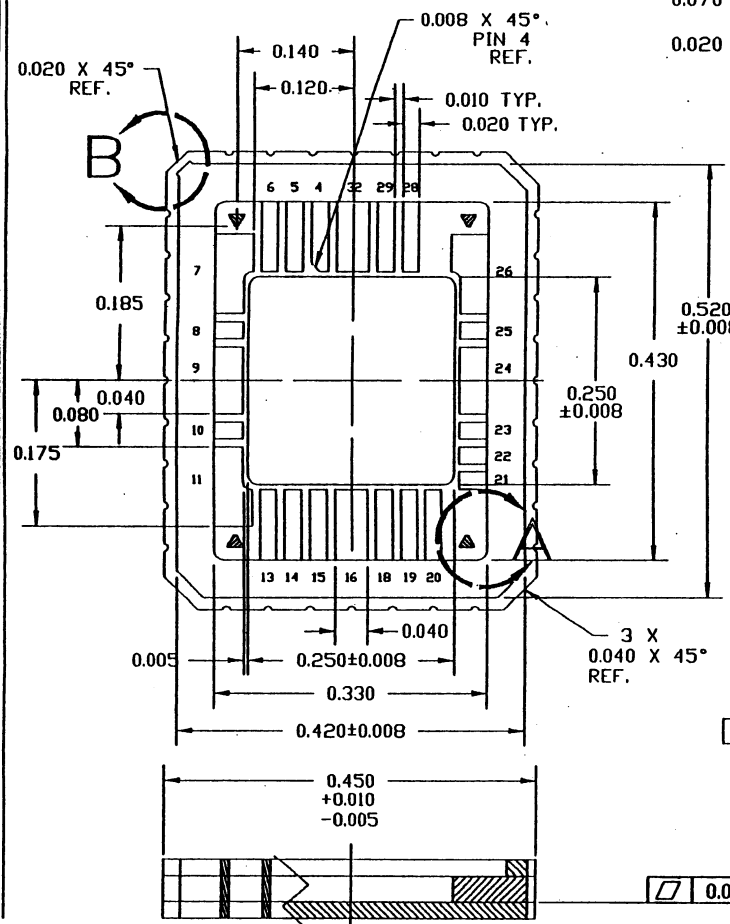
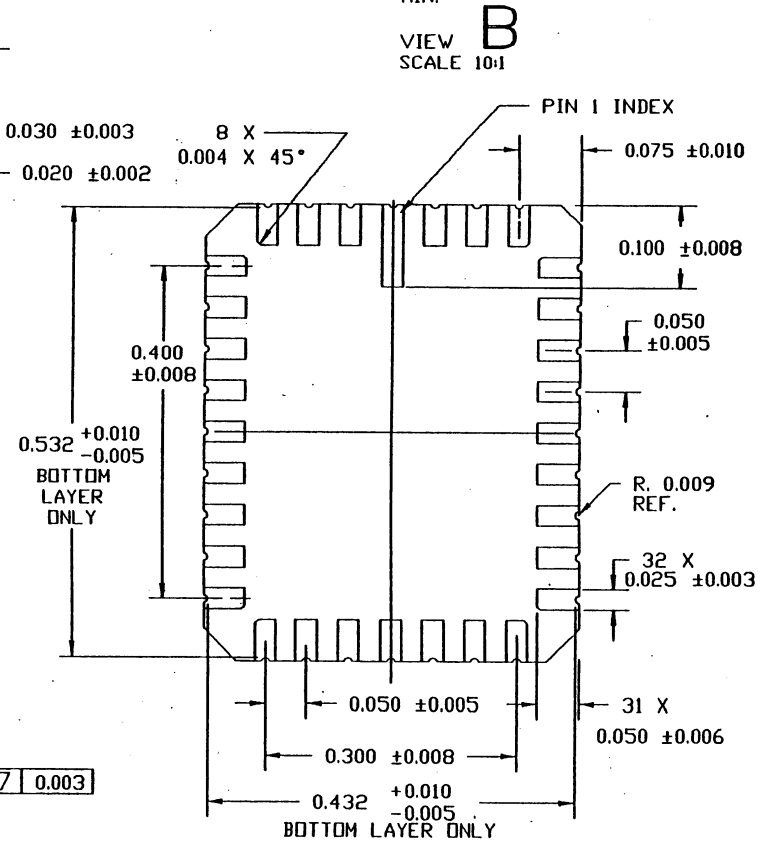
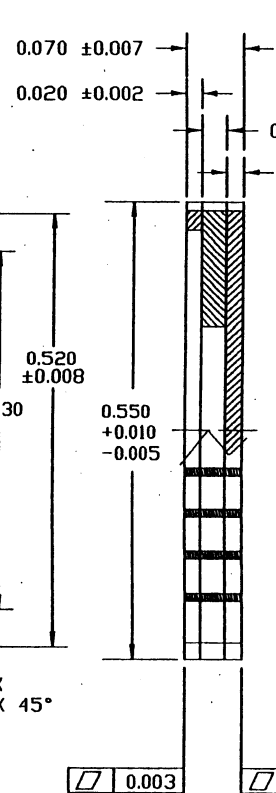
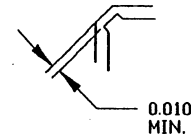
NOTES:

1. INTERPRET DRAWING PER DDD-ST0-100.
2. DIMENSIONS ARE TYPICAL FOR ALL QUADRANTS UNLESS OTHERWISE SPECIFIED.
3. FINISH: GOLD PLATE 60μ INCHES MIN. OVER 60μ INCHES MIN. NICKEL.
4. DIE ATTACH CAVITY AND "SEAL" RING WILL BE ELECTRICALLY ISOLATED.
5. LEAD RESISTANCE: 300 mΩ MAX.
6. NO METAL ALLOWED ON CORNERS.
7. NO METAL IN D/A CAVITY.



REVISIONS					
ZONE	REV	ECN	DESCRIPTION	DATE	APPROVED

DOCUMENT NO. 51-20081
REV. ** PAGE 1 OF 1



LCC03217

UNLESS OTHERWISE SPECIFIED		DESIGNED BY	DATE	TITLE	
ALL DIMENSIONS ARE IN INCHES		JMB	09/15/09	32 LD LCC 250 X 250	
STANDARD TOLERANCES UNLESS OTHERWISE SPECIFIED		DRAWN	DATE	SIZE	PART NO.
DECIMALS ± 0.01		RM	09/18/09	C	LCC32R7
ANGLES ± P. 30°		CHEK BY	DATE	DWG NO.	REV
MATERIAL		APPROVED BY	DATE	100697	2
FINISH		APPROVED BY	DATE	SCALE	SHEET 1 OF 1
SEE NOTES		51-20081		10:1	

