

NOTE:

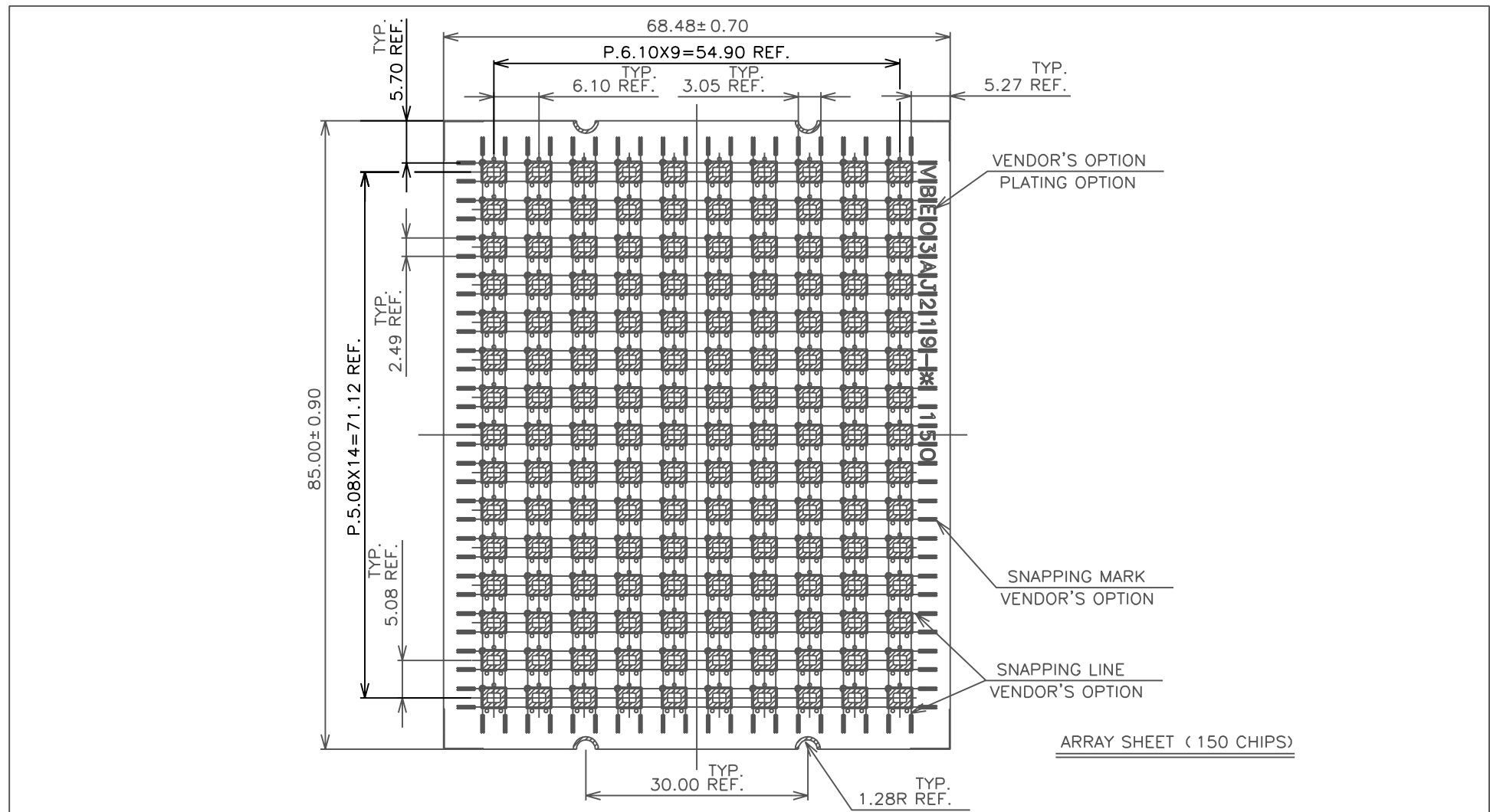
1. GOLD PLATE 1.5 μ m MIN. OVER
2.0 μ m MIN. NICKEL.
(EXCEPT CASTELLATION)
2. CONNECTION
(1-A), (2-C), (3-B), (S/R-D)
3. CAMBER: 0.05mm MAXIMUM. (SINGLE PART TYPE)
0.34mm MAXIMUM. (ARRAY TYPE)
4. 30 DEFECT PARTS MAXIMUM/SHEET

	SHIPPING TYPE
01	SINGLE PART TYPE
02	ARRAY TYPE

VBE03AJ219-*

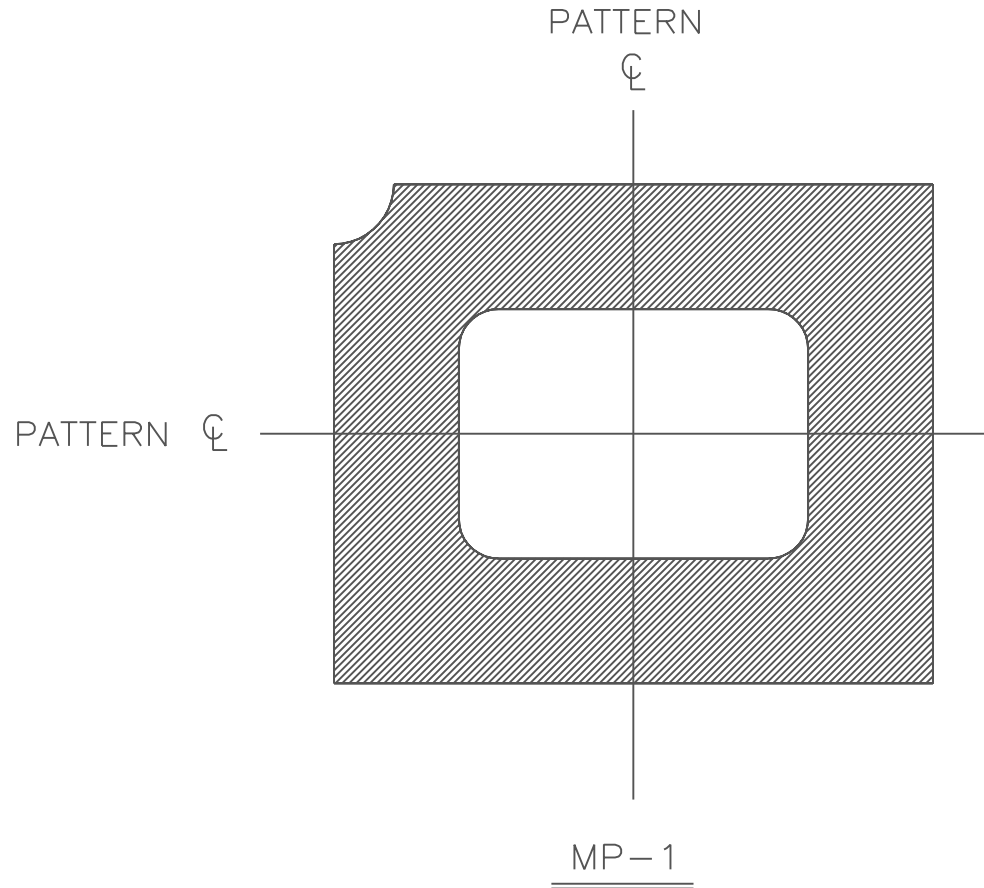
MODIFICATION						NAME	TOLERANCE	DRAWN	CHECKED	APPROVED	DATE
						3 PIN LCC	UNLESS OTHERWISE SPECIFIED	K.I	K.N/W.M	M.M	FEB.23.'00
					SCALE 20/1	MATERIAL AS INDICATED	± 0.20				
						THIRD ANGLE PROJECTION					
CHANGED		DATE	DRAWN	CHECKED	APPROVED		KYOCERA CORPORATION KYOTO JAPAN	DRAWING NO. KD-VA0219		SHEET 1/5	





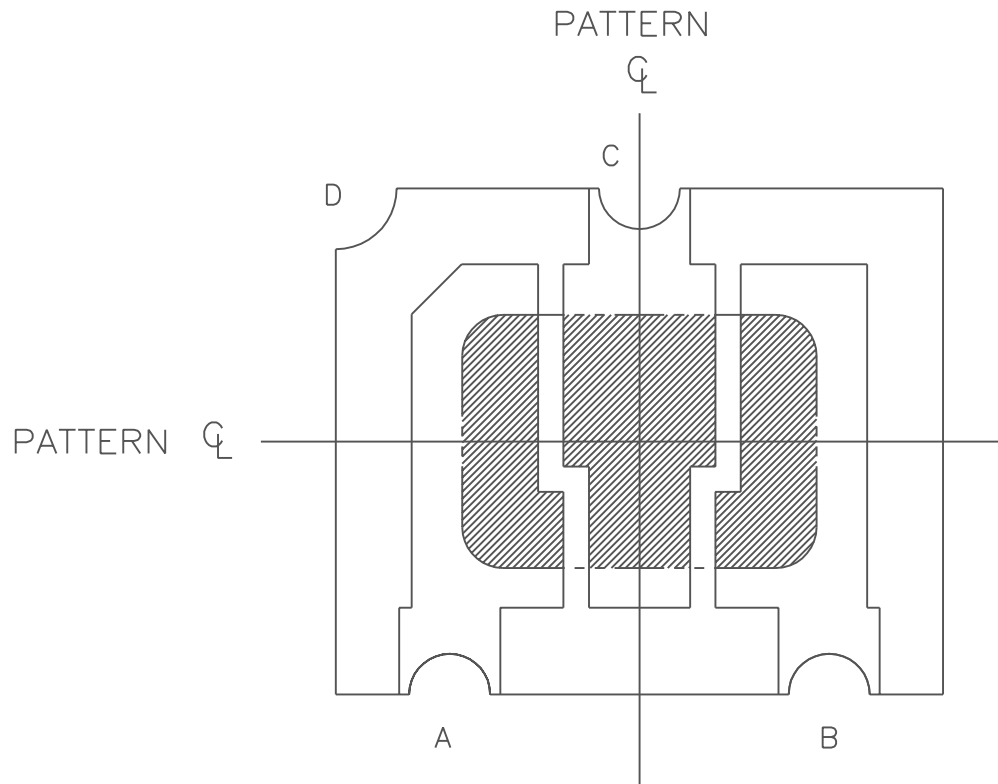
MODIFICATION						NAME	TOLERANCE	DRAWN	CHECKED	APPROVED	DATE
						3 PIN LCC	UNLESS OTHERWISE SPECIFIED	K.I	K.N/M.M	K.M	FEB.23.'00
						SCALE 2 / 1	MATERIAL				
							THIRD ANGLE PROJECTION				
	CHANGED	DATE	DRAWN	CHECKED	APPROVED		KYOCERA CORPORATION KYOTO JAPAN	DRAWING NO.			SHEET
								KD-VA0219			2 / 5





MODIFICATION						NAME	3 PIN LCC	TOLERANCE	DRAWN	CHECKED	APPROVED	DATE
						SCALE	40 / 1	UNLESS OTHERWISE SPECIFIED	K.I	K.N/W.M	M.M	FEB.23.'00
						MATERIAL		THIRD ANGLE PROJECTION				
	CHANGED	DATE	DRAWN	CHECKED	APPROVED		KYOCERA CORPORATION KYOTO JAPAN	DRAWING NO.	KD-VA0219		SHEET	3 / 5

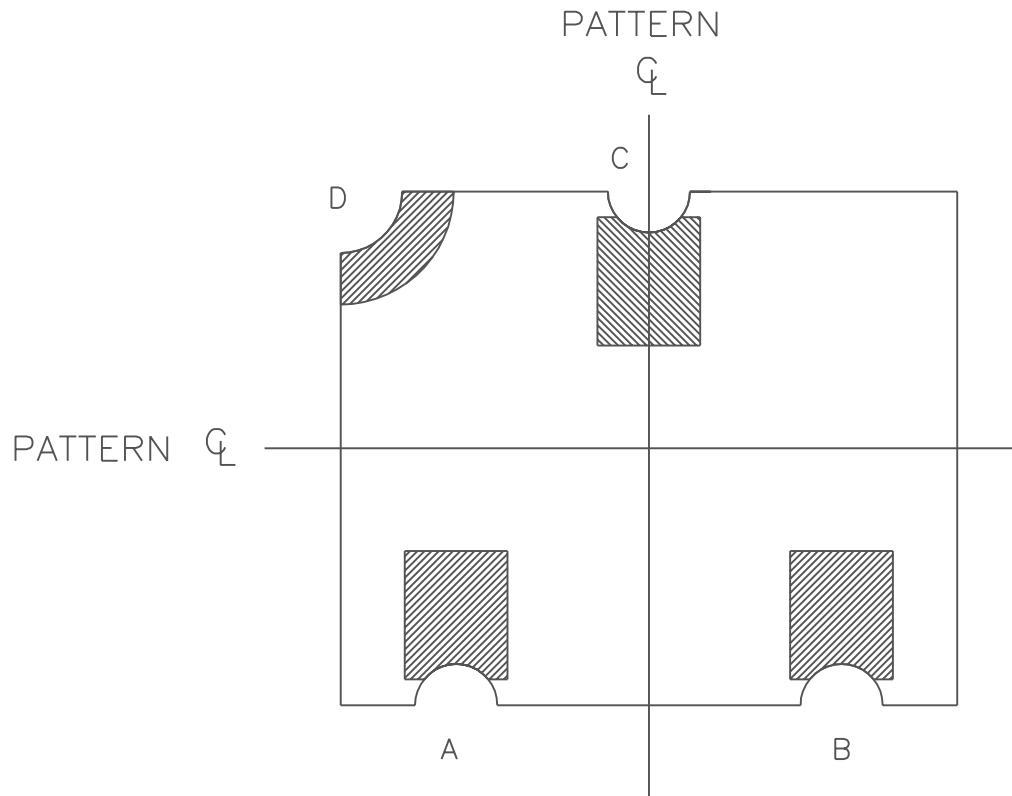




MP-2

MODIFICATION					NAME	TOLERANCE	DRAWN	CHECKED	APPROVED	DATE
					3 PIN LCC	UNLESS OTHERWISE SPECIFIED	K.I	K.N/W.M	M.M	FEB.23.'00
					SCALE 40 / 1	MATERIAL				
							THIRD ANGLE PROJECTION			
	CHANGED	DATE	DRAWN	CHECKED	APPROVED		KYOCERA CORPORATION KYOTO JAPAN			DRAWING NO. KD-VA0219
										SHEET 4 / 5





MP-3
(TOP VIEW)

MODIFICATION						NAME	3 PIN LCC	TOLERANCE	DRAWN	CHECKED	APPROVED	DATE
						SCALE	40 / 1	UNLESS OTHERWISE SPECIFIED	K.I	K.N/W.M	M.M	FEB.23.'00
						MATERIAL		THIRD ANGLE PROJECTION				
	CHANGED	DATE	DRAWN	CHECKED	APPROVED		KYOCERA CORPORATION KYOTO JAPAN	DRAWING NO.	KD-VA0219		SHEET	5 / 5

