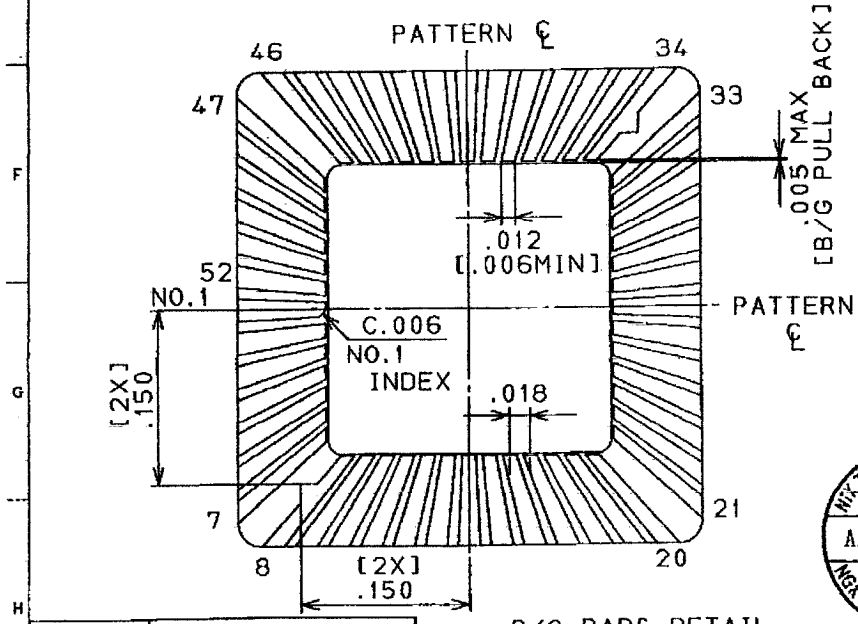
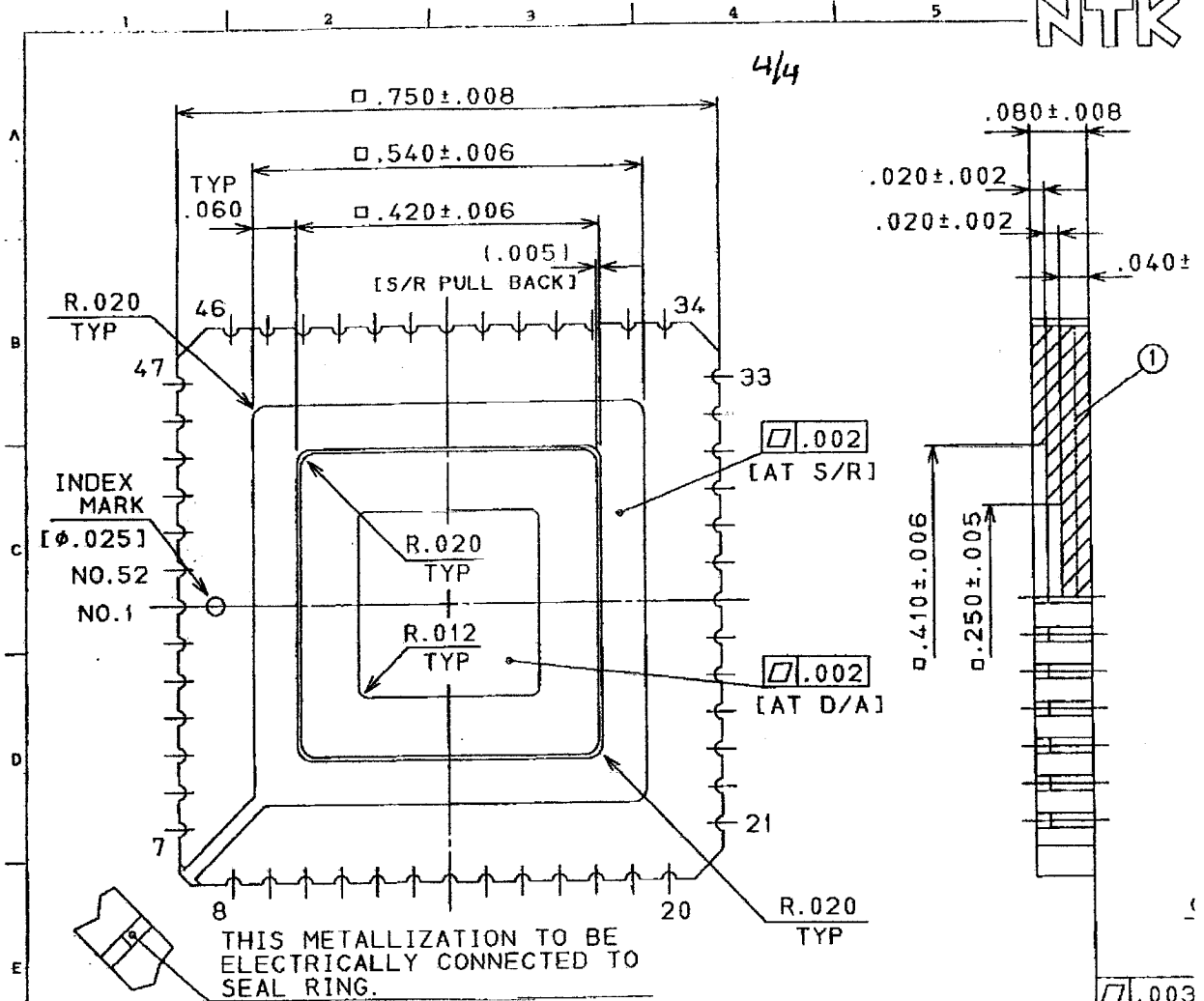


NTK



- NOTES:
1. G
  2. S
  - F
  - 3.



LCC05208 1/2

MODIFIED DWG NO. IRK52F1-5235AAW  
 No. 57441 P. 4/4

B/G PADS DETAIL

NTK

TECHNICAL CERAMICS

8

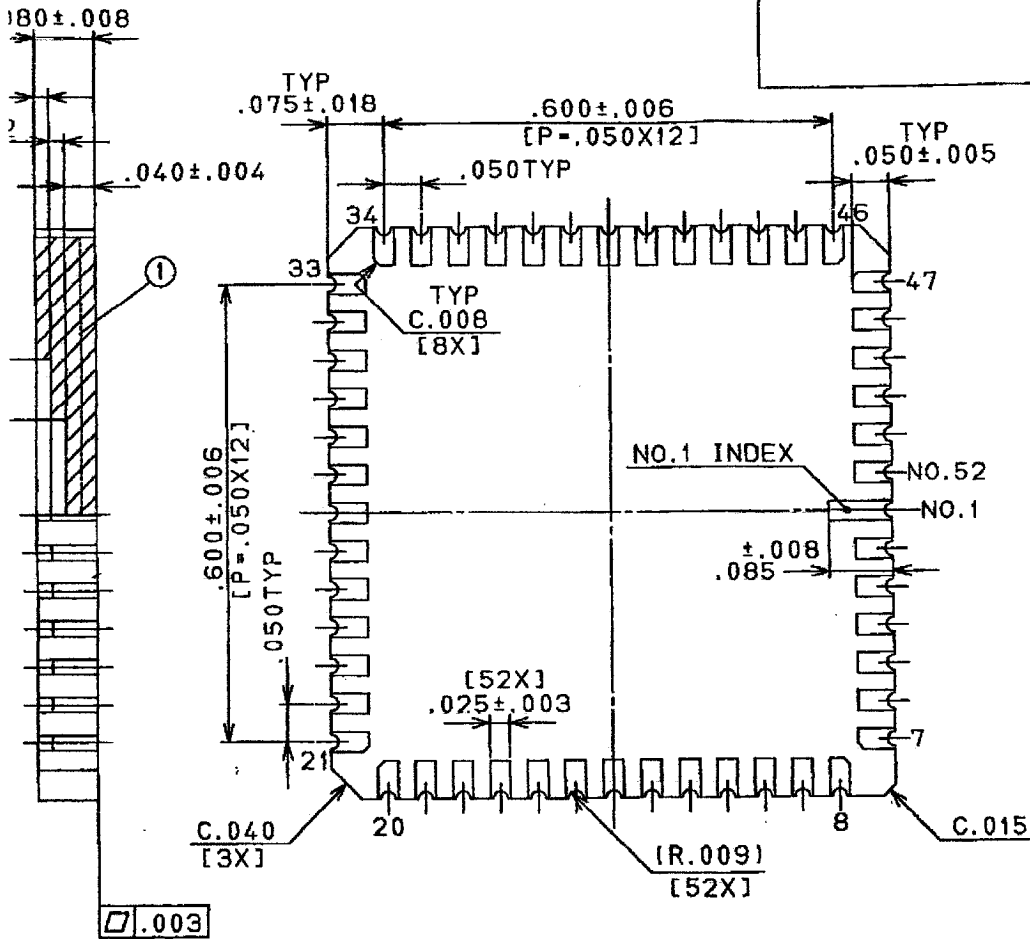
9

10

11

3/4

LATEST REVISION'S DESCRIPTION



NOTES:

1. GOLD PLATE 60~225μ INCHES MIN 50~350μ INCHES NICKEL.
2. S/R & D/A PAD TO BE ELECTRICALLY ISOLATED FROM ANY LEADS.
3. LEAD RESISTANCE:  
LEAD NO.14.39 --- 100mΩ MAX.  
ALL OTHERS --- 500mΩ MAX.

DRAWING FOR APPROVAL  
APPROVED BY  
\_\_\_\_\_  
NTK TECHNICAL CERAMIC

CC05208 2/2  
1RK52F1-5235AB

No. 5744 P. 3/4

3							
2							
1	CERAMIC	BLACK ALUMINA			NEW DRAWING	APR.-04	-1994
Item Name	Material	Description	Rev.	Description	Date		
UNLESS OTHERWISE SPECIFIED TOLERANCES: ± 1% N. L. T. 2 DECIMALS. XX ±.01 3 DECIMALS. XXX ±.005			DRAWN	K. HANAI	NTK TECHNICAL CERAMICS		
			CHECKED		NGK SPARK PLUG CO., LTD		
CUSTOMER			APPROVED	S. Maehara	52 LEAD CHIP CARRIER		
DWG NO.			UNIT	INCH	DWG NO.		
			NTK SAN DIEGO		1997F210:57AM		

SIZE 1A-2