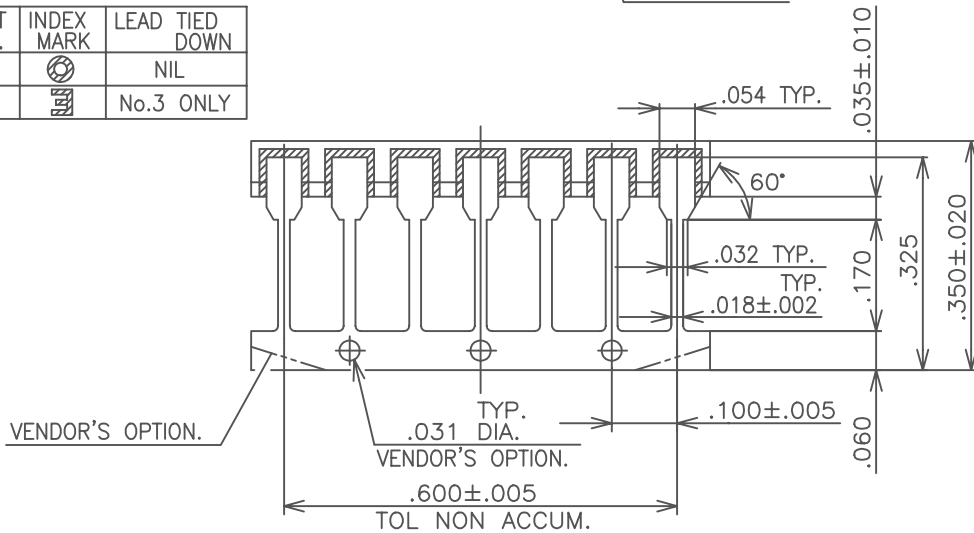


PART NO.	INDEX MARK	LEAD TIED DOWN
01		NIL
02		No.3 ONLY

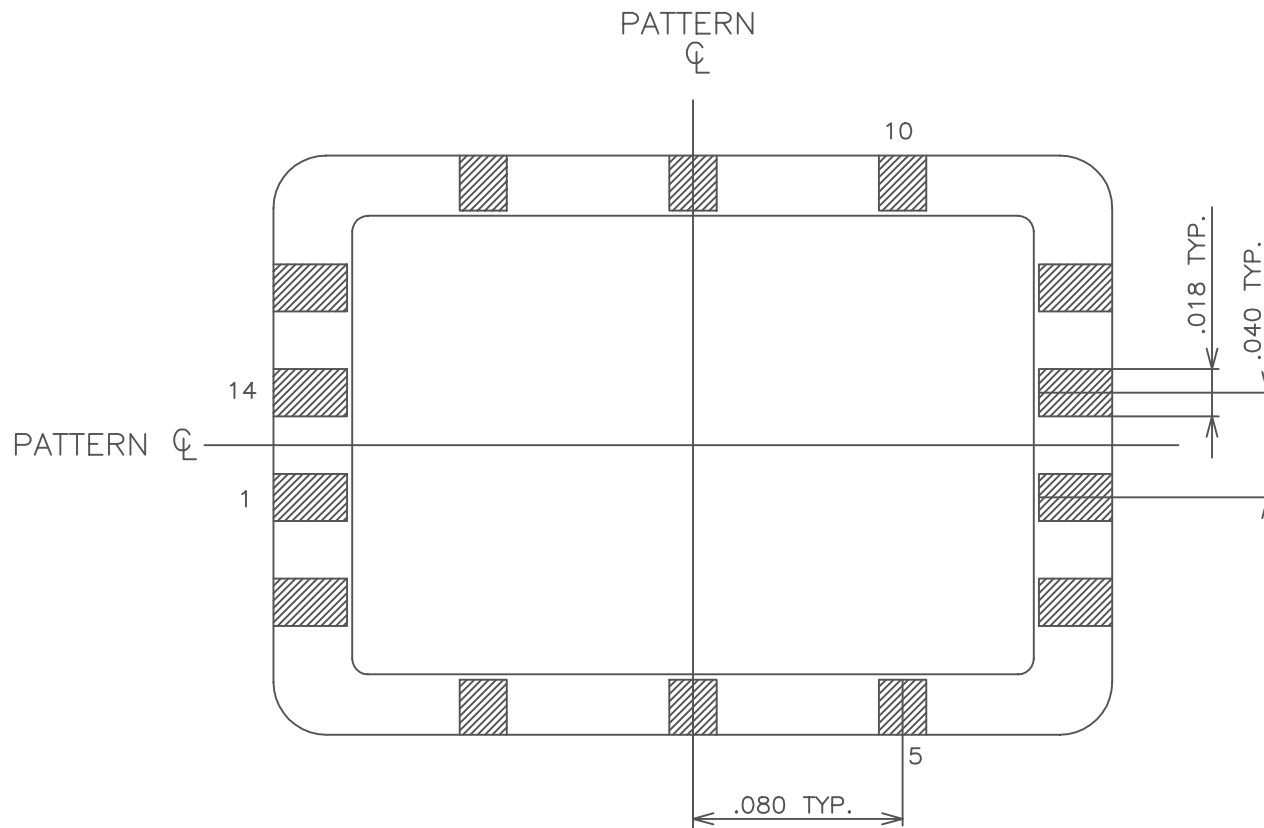


NOTES

- GOLD PLATING 60μ INCHES MIN THICKNESS OVER 100 μ INCHES NOMINAL THICKNESS OF NICKEL. UNLESS OTHERWISE SPECIFIED IN PURCHASE ORDER.
- LEAD RESISTANCE : 0.2 OHMS MAX.

SB014K286-2	S=0
	D=3
SB014K286-1	S=0
	D=0

MODIFICATION	NAME					TOLERANCE UNLESS OTHERWISE SPECIFIED	DRAWN	CHECKED	APPROVED	DATE
	14 LEAD SIDE BRAZED PACKAGE									
	SCALE 5 / 1					MATERIAL AS INDICATED				
ADDED : (2/2) SHEET						THIRD ANGLE PROJECTION				
REDRAWN : CONVERTED CAD DATA.	JUL.12.'99	Y.T	AF/SK	H.SA						
CHANGED	DATE	DRAWN	CHECKED	APPROVED		KYOCERA CORPORATION KYOTO JAPAN	DRAWING NO. KD-80286-A			SHEET 1 / 2



BONDING PATTERN

MODIFICATION						NAME	TOLERANCE	DRAWN	CHECKED	APPROVED	DATE
						14 LEAD SIDE BRAZED PACKAGE	UNLESS OTHERWISE SPECIFIED	H.K	K.M		JUN.18.'80
						SCALE 20 / 1					
						MATERIAL	THIRD ANGLE PROJECTION				
△	ADDED : THIS SHEET	JUL.12.'99	Y.T	A.F/S.K	H.SA	 KYOCERA CORPORATION KYOTO JAPAN	DRAWING NO.		SHEET		
	CHANGED	DATE	DRAWN	CHECKED	APPROVED		KD-80286-A	2 / 2			