

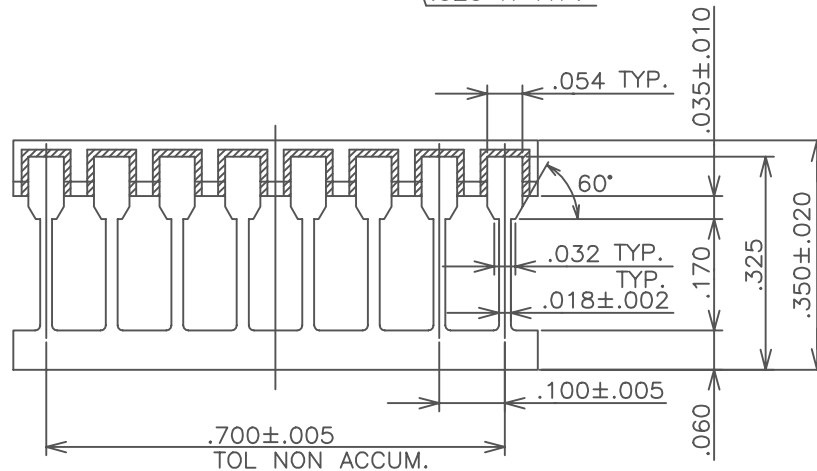
DETAIL-A

NOTES

1. PLATING THICKNESS TO BE PER CUSTOMER'S SPECIFICATION.
2. SEAL AREA TO BE METALLIZED.
3. DIE ATTACH AREA TO BE METALLIZED.
4. SEAL RING AND DIE ATTACH PAD TO BE FLOATING FROM ANY PINS.
5. LEAD RESISTANCE : 0.20 OHM MAX.



VENDOR'S OPTION



SB016G129-1				S=0 D=0
DRAWN	CHECKED	APPROVED	DATE	
M.M	K.M		NOV.12.99	
DRAWING NO.				SHEET
KD-76129-B				1/2

MODIFICATION						NAME	16 LEAD SIDE BRAZED PACKAGE	TOLERANCE	UNLESS OTHERWISE SPECIFIED	±.005	THIRD ANGLE PROJECTION
						SCALE	5/1	MATERIAL	AS INDICATED		
		ADDED:SHEET(2/2)									
	REDRAWN:CONVERTED CAD DATA.	OCT.22.98	Y.M	SH.K/S.F	T.A						
	CHANGED	DATE	DRAWN	CHECKED	APPROVED						



KYOCERA CORPORATION  
KYOTO JAPAN

