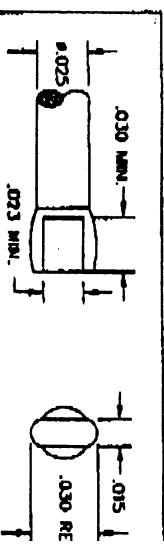
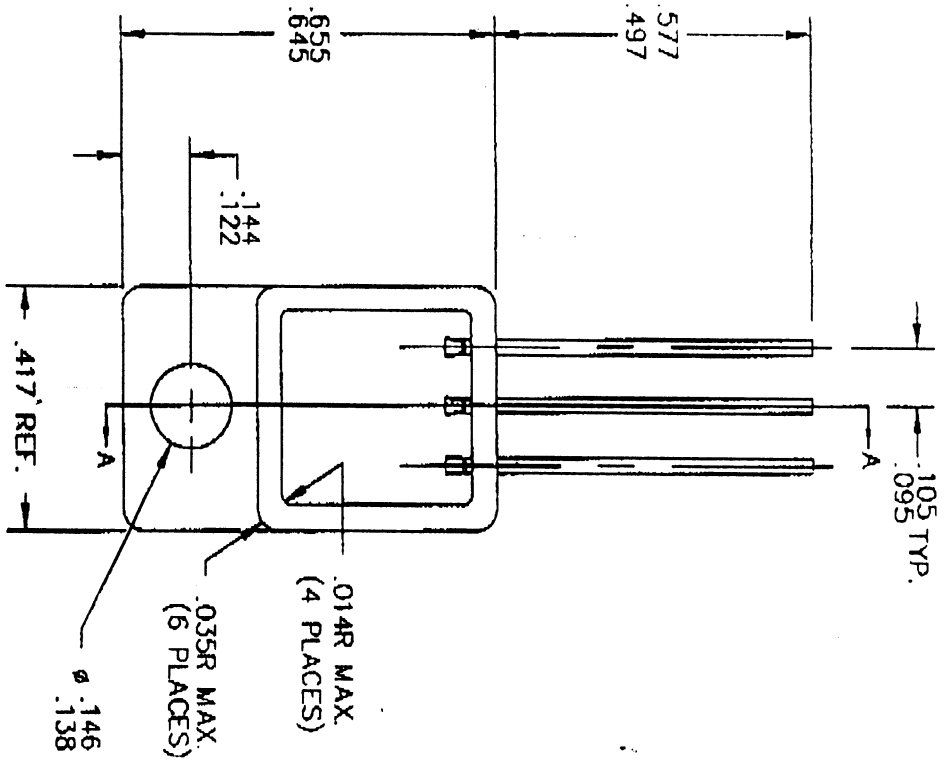
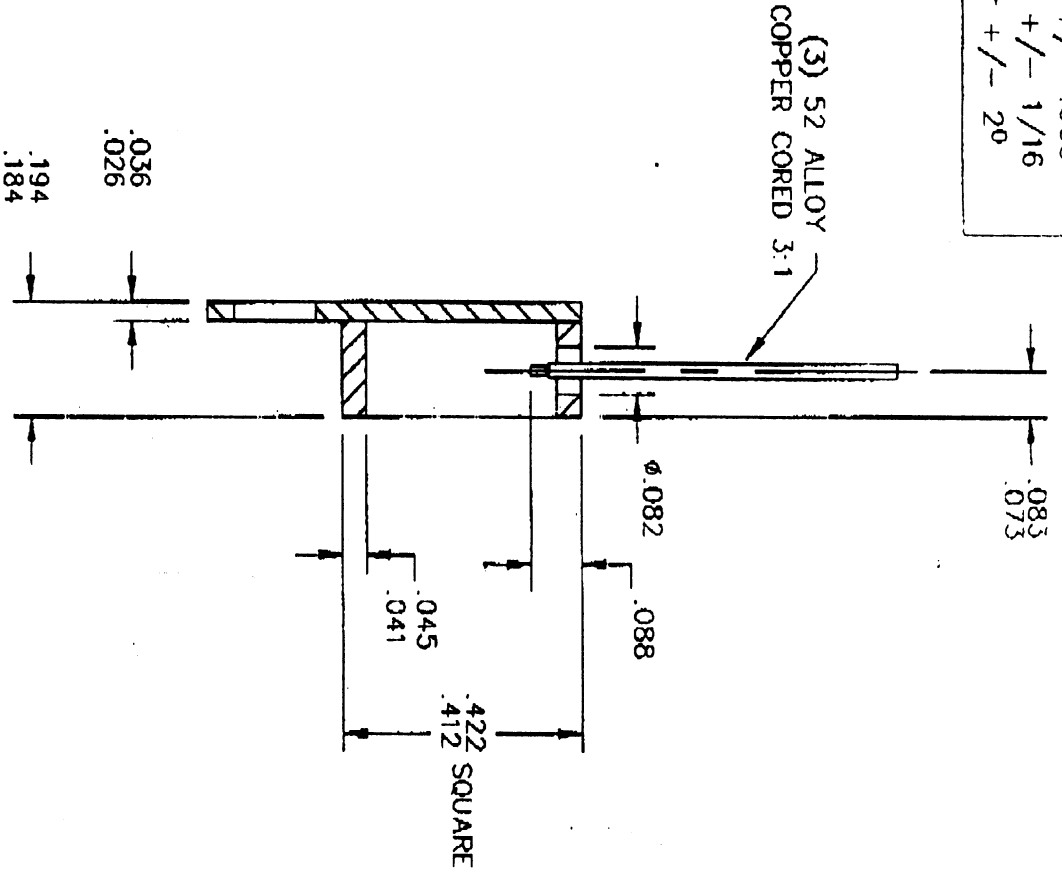


Tolerances unless otherwise specified:
 Decimals +/- .005
 Fractions +/- 1/16
 Angular +/- 20

No: SQ415-650-025-3 REV-



Sinclair
 CHARTLEY, MA, 02712

Material: CRS/COPPER/52 ALLOY/COPPER CORED/GLASS
 Code No: R.S.I.
 Asm. No: SQ415-650-025-3 REV-

CAD Code: PASM-71

Title: TO-257 PACKAGE WITH 0.025 LEADS Scale: 3:1 Date: 3-17-89 Dwg. By: FAH