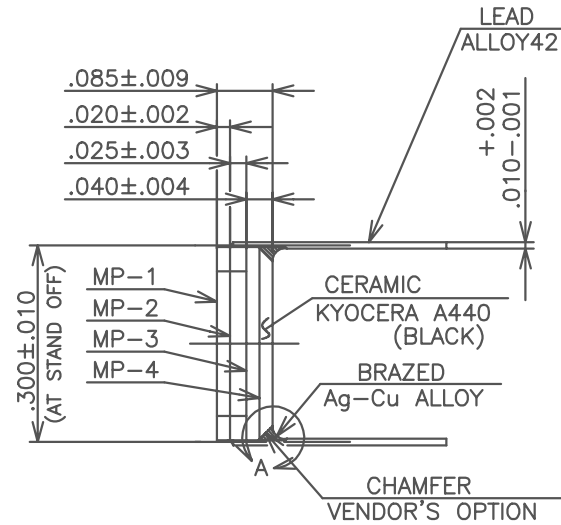
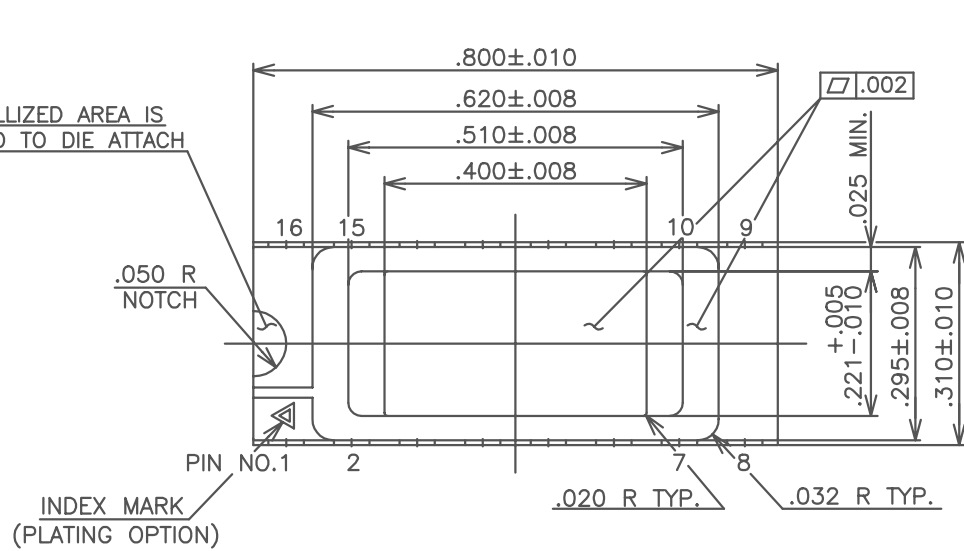
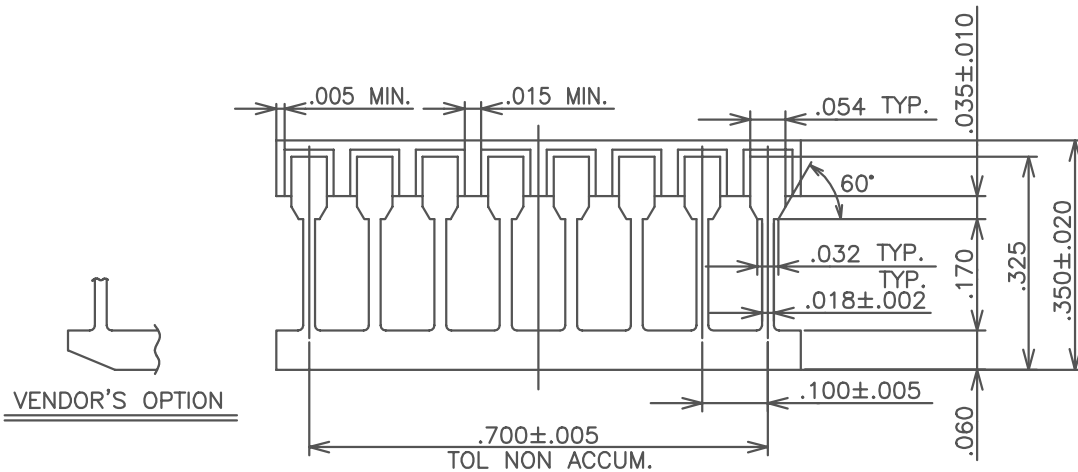


THIS METALLIZED AREA IS CONNECTED TO DIE ATTACH PAD.



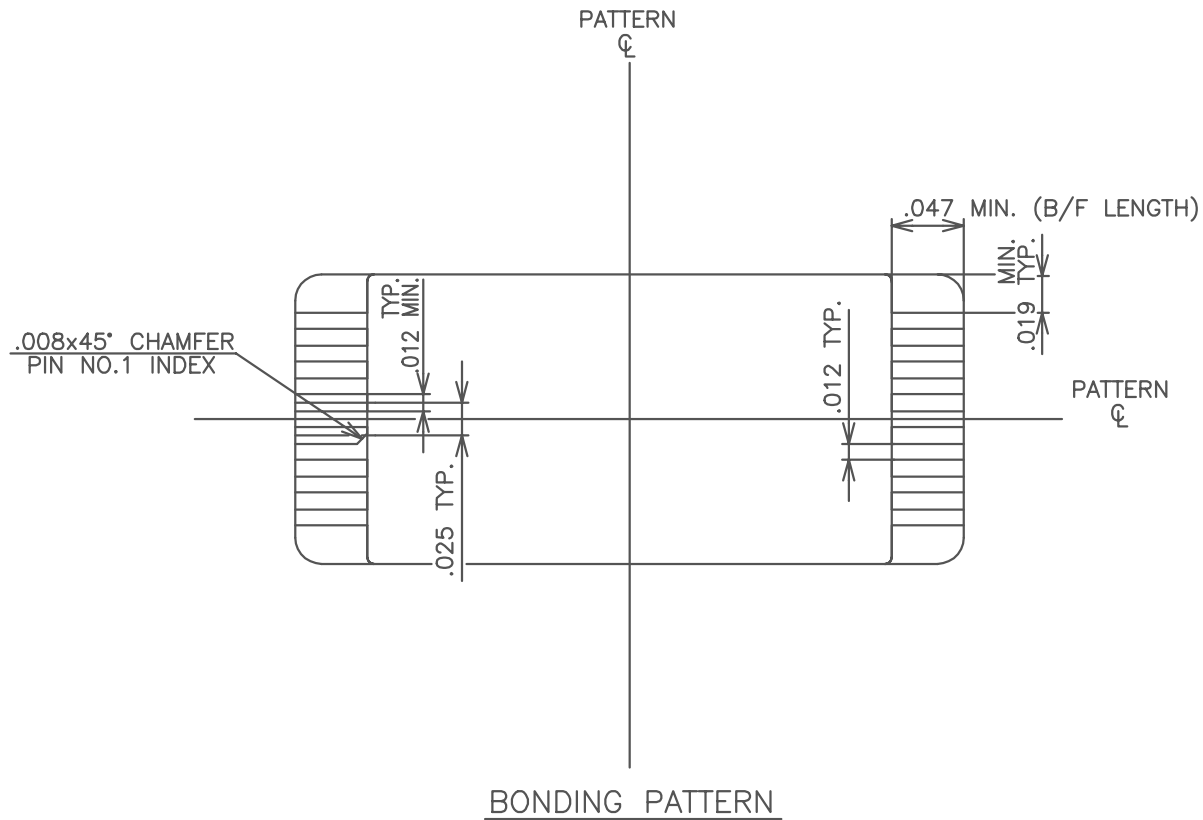
DETAIL-A




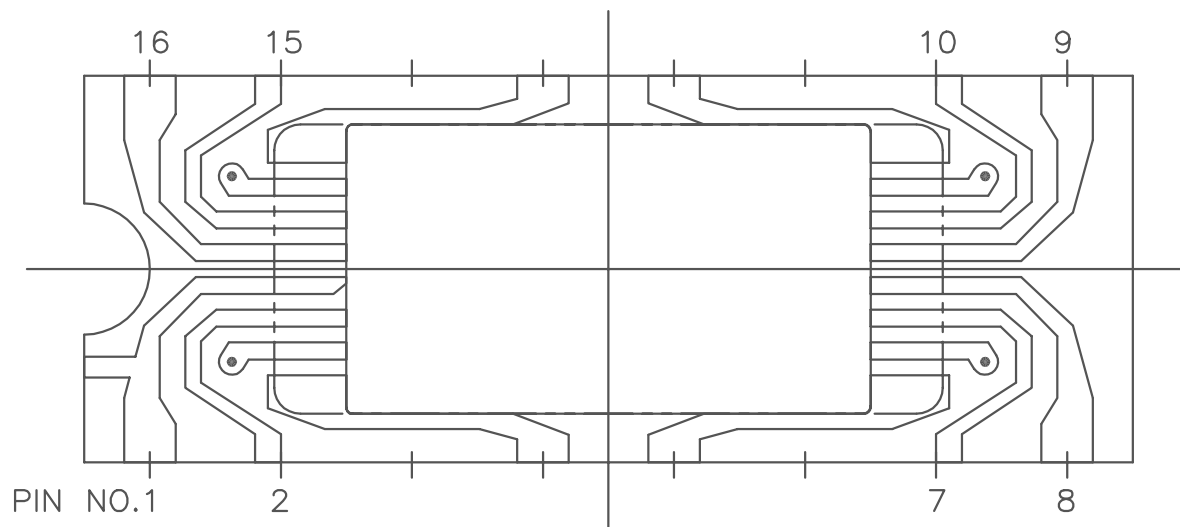
NOTES

1. PLANTING THICKNESS TO BE PER CUSTOMER'S SPECIFICATION.
2. LEAD RESISTANCE : 0.2 OHM MAX.
3. SEAL RING AND DIE ATTACH TO BE FLOATING FROM ANY PINS.
4. SEAL AREA TO BE METALLIZED.
5. DIE ATTACH AREA TO BE METALLIZED.


MODIFICATION						NAME	TOLERANCE	SB016M398-1 S=0 D=0			
						16 LEAD SIDE BRAZED PACKAGE	UNLESS OTHERWISE SPECIFIED	DRAWN	CHECKED	APPROVED	DATE
						SCALE 5 / 1	MATERIAL AS INDICATED	M.M	K.M		MAY.28.'82
							±.005				
							THIRD ANGLE PROJECTION				
	REDRAWN : CONVERTED CAD DATA.	OCT.16'00	K.T/H.K	A.F/S.NI	H.SA	KYOCERA CORPORATION KYOTO JAPAN	DRAWING NO.				SHEET
	CHANGED	DATE	DRAWN	CHECKED	APPROVED		KD-S82398-B				1 / 5

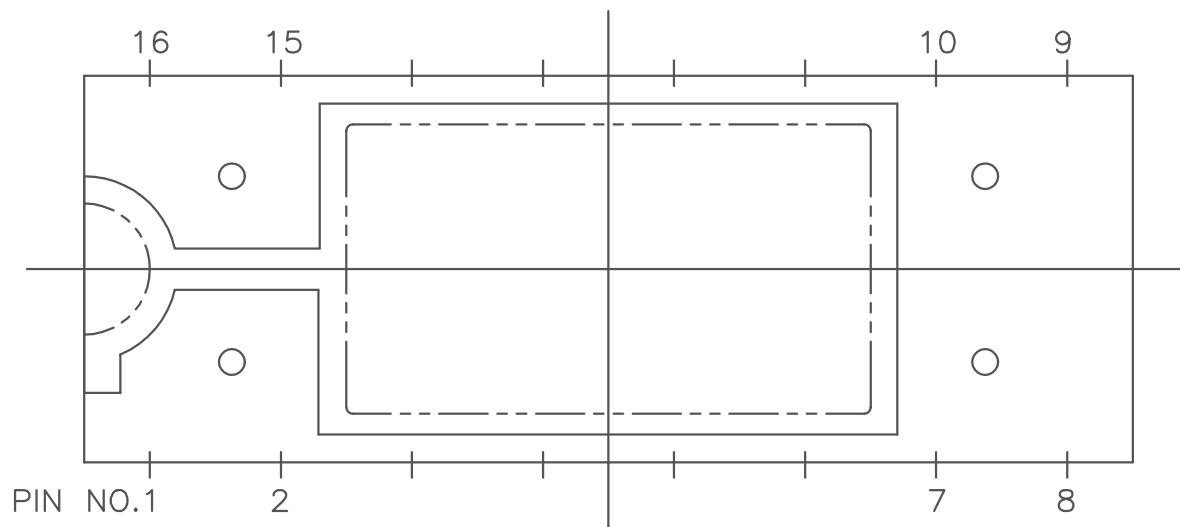


MODIFICATION						NAME	TOLERANCE	DRAWN	CHECKED	APPROVED	DATE
						16 LEAD SIDE BRAZED PACKAGE	UNLESS OTHERWISE SPECIFIED	M.M	K.M		MAY.28.'82
						SCALE 10 / 1	MATERIAL				
							THIRD ANGLE PROJECTION				
△	REDRAWN : CONVERTED CAD DATA.	OCT.16.'00	K.T/H.K	A.F/S.NI	H.SA	 KYOCERA CORPORATION KYOTO JAPAN	DRAWING NO.		SHEET		
	CHANGED	DATE	DRAWN	CHECKED	APPROVED		KD-S82398-B		2 / 5		




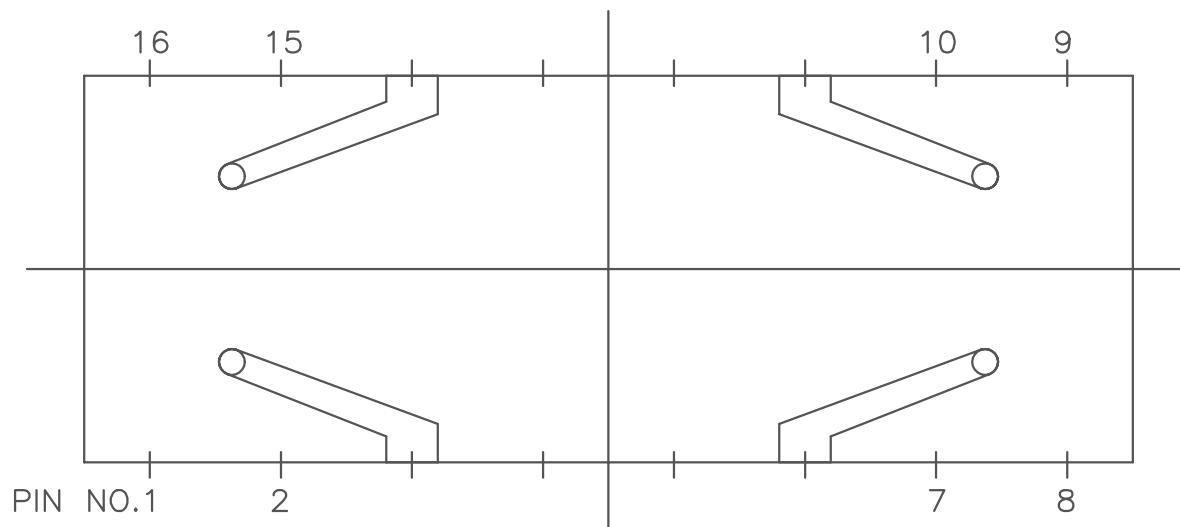
MP-2

MODIFICATION						NAME	TOLERANCE	DRAWN	CHECKED	APPROVED	DATE
						16 LEAD SIDE BRAZED PACKAGE	UNLESS OTHERWISE SPECIFIED	K.I	K.M		JUL.7.'82
						SCALE 10 / 1	MATERIAL				
							THIRD ANGLE PROJECTION				
△	REDRAWN : CONVERTED CAD DATA.	OCT.16.'00	K.T/H.K	A.F/S.NI	H.SA	 KYOCERA CORPORATION KYOTO JAPAN	DRAWING NO.		KD-S82398-B		SHEET 3 / 5
	CHANGED	DATE	DRAWN	CHECKED	APPROVED						




MP-3

MODIFICATION						NAME	TOLERANCE	DRAWN	CHECKED	APPROVED	DATE
						16 LEAD SIDE BRAZED PACKAGE	UNLESS OTHERWISE SPECIFIED	K.I	K.M		JUL.7.'82
						SCALE 10 / 1	MATERIAL				
							THIRD ANGLE PROJECTION				
	△ REDRAWN : CONVERTED CAD DATA.	OCT.16.'00	K.T/H.K	A.F/S.NI	H.SA	 KYOCERA CORPORATION KYOTO JAPAN	DRAWING NO.		SHEET		
	CHANGED	DATE	DRAWN	CHECKED	APPROVED		KD-S82398-B		4 / 5		



MP-4

MODIFICATION						NAME	TOLERANCE	DRAWN	CHECKED	APPROVED	DATE
						16 LEAD SIDE BRAZED PACKAGE	UNLESS OTHERWISE SPECIFIED	K.I	K.M		JUL.7.'82
						SCALE 10 / 1	MATERIAL				
							THIRD ANGLE PROJECTION				
△	REDRAWN : CONVERTED CAD DATA.	OCT.16.'00	K.T/H.K	A.F/S.NI	H.SA	 KYOCERA CORPORATION KYOTO JAPAN	DRAWING NO.		SHEET		
	CHANGED	DATE	DRAWN	CHECKED	APPROVED		KD-S82398-B		5 / 5		