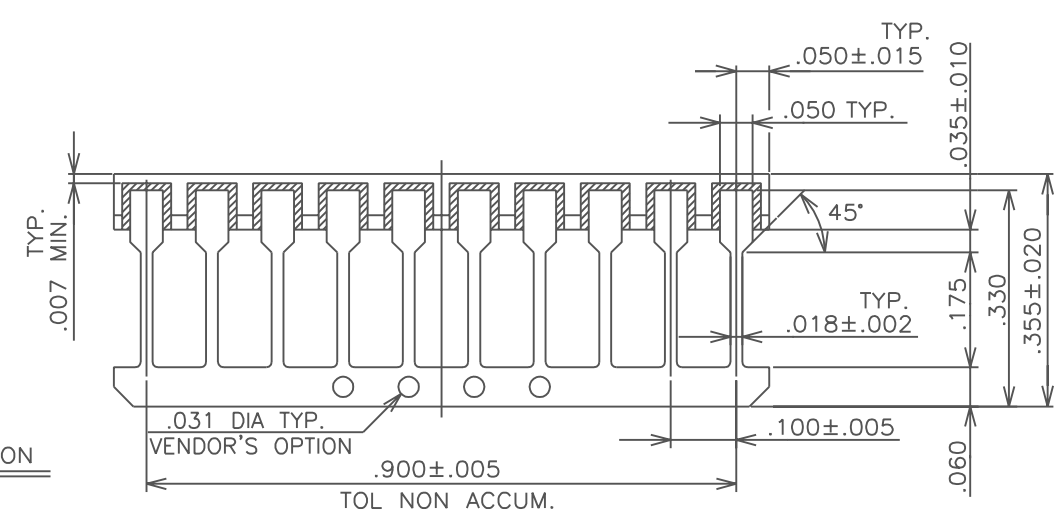
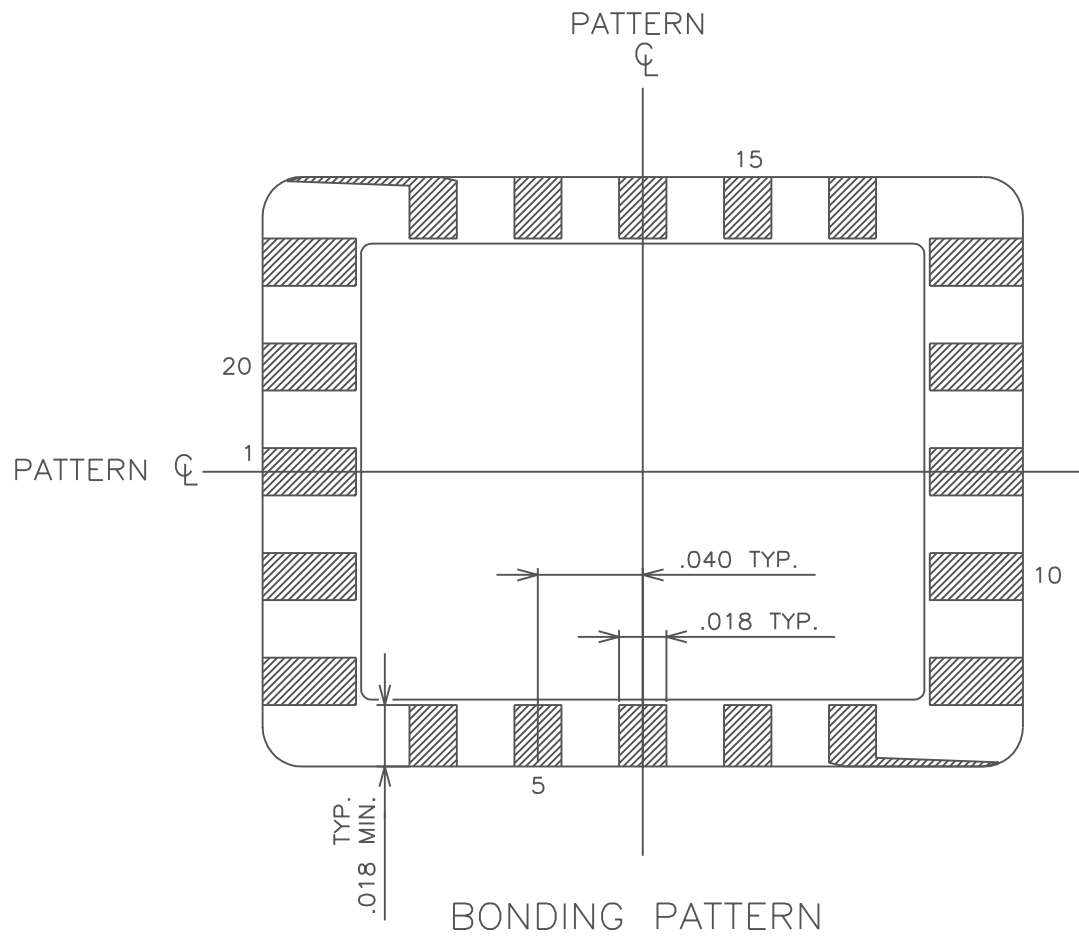


- NOTES :
1. PLATING THICKNESS TO BE PER CUSTOMER'S SPECIFICATION.
  2. SEAL AREA TO BE METALLIZED.
  3. DIE ATTACH AREA TO BE METALLIZED.
  4. SEAL RING AND DIE ATTACH PAD TO BE FLOATING FROM ANY PINS.
  5. LEAD RESISTANCE : 0.3 OHM MAX.



MODIFICATION						NAME	TOLERANCE	SB020W210-1				S=0
						20 LEAD SIDE BRAZED PACKAGE	UNLESS OTHERWISE SPECIFIED	DRAWN	CHECKED	APPROVED	DATE	D=0
	△	ADDED:SHEET 3/5,4/5,5/5	JAN.6.'01	T.S/H.K	H.TA/S.NI	H.SA	SCALE	M.S	K.K	M.K	MAR.15.'89	
	△	REDRAWN:CONVERTED CAD DATA,ADDED SHEET 2/2	JUN.11.'99	S.TH	T.HA/S.F	H.SA	5 / 1					
	CHANGED	DATE	DRAWN	CHECKED	APPROVED	MATERIAL	±.005	DRAWING NO.				SHEET
						AS INDICATED	THIRD ANGLE PROJECTION	KD-S89210-B				1 / 5
						KYOCERA		KYOCERA CORPORATION				
								KYOTO JAPAN				



MODIFICATION					
	CHANGED	DATE	DRAWN	CHECKED	APPROVED

NAME  
20 LEAD SIDE BRAZED PACKAGE

SCALE 20 / 1

MATERIAL

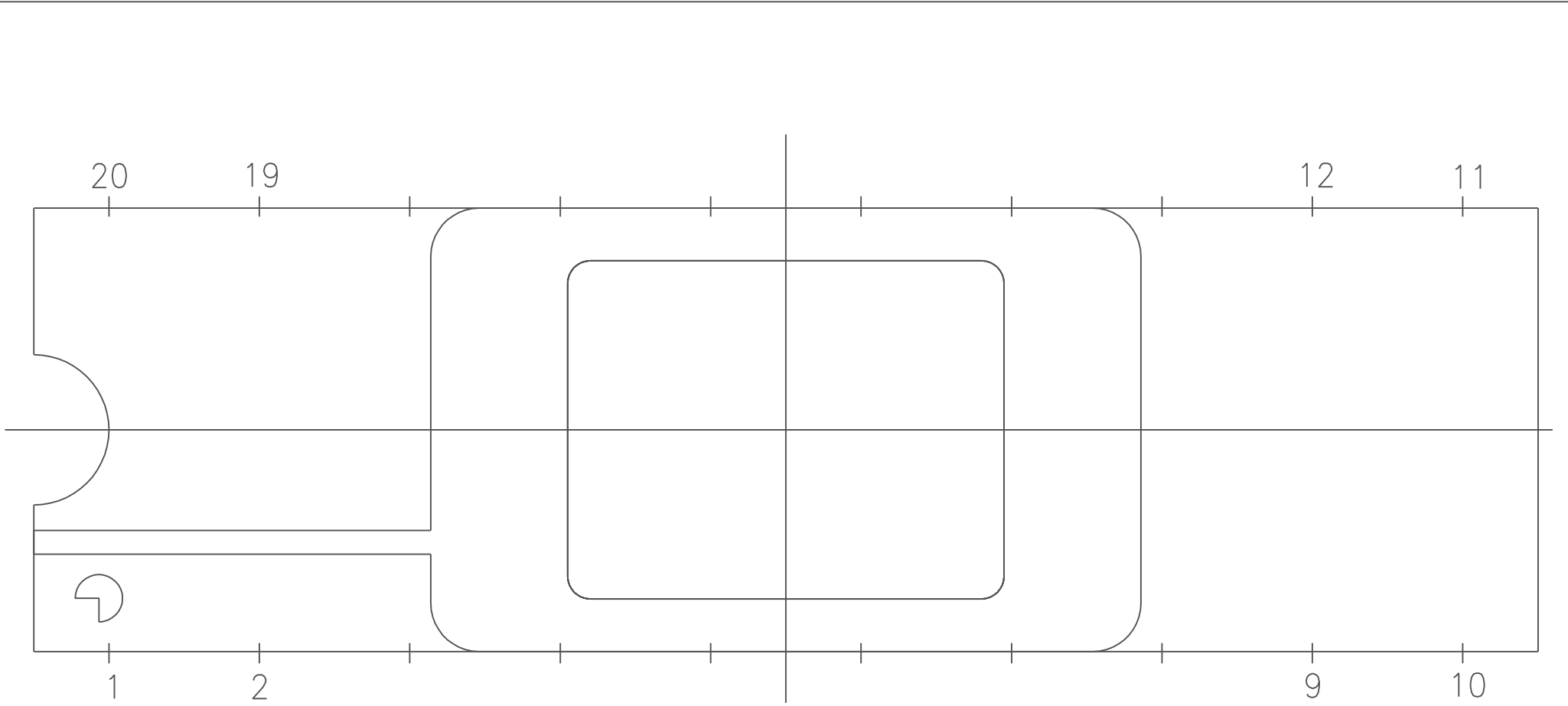
**KYOCERA**

KYOCERA CORPORATION  
KYOTO JAPAN

TOLERANCE  
UNLESS OTHERWISE SPECIFIED

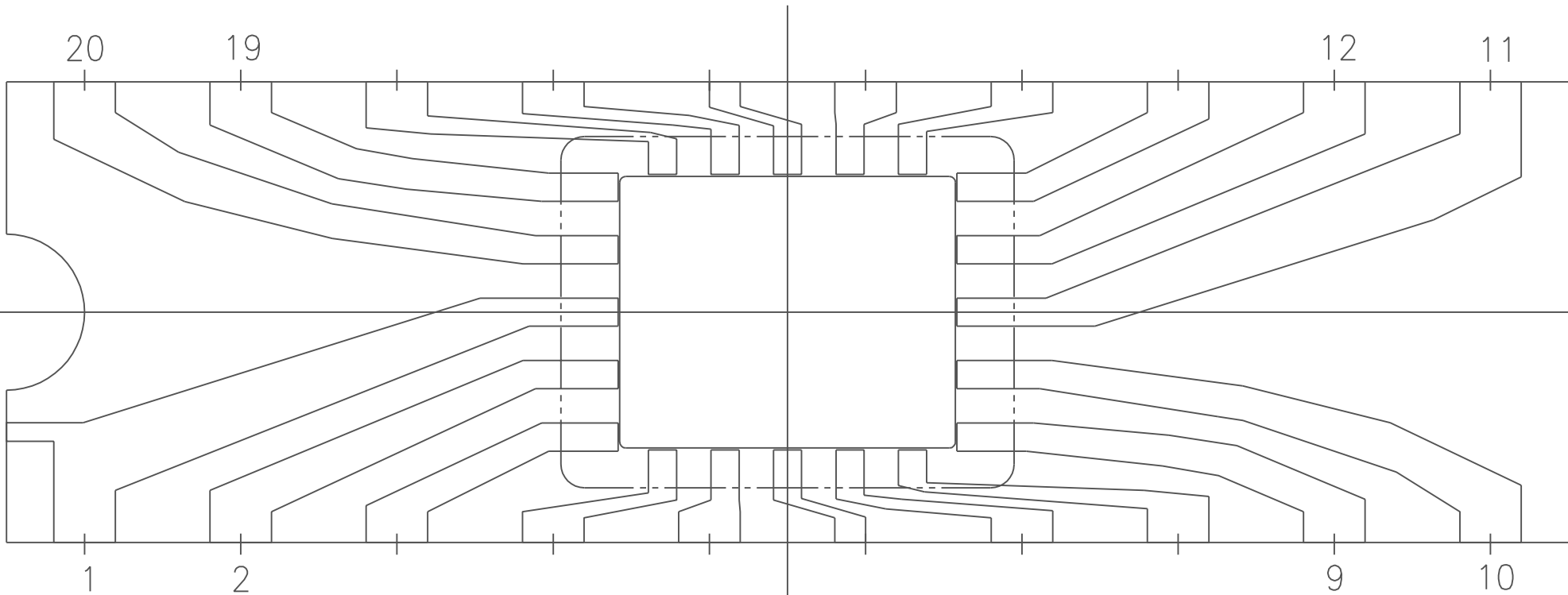
THIRD ANGLE PROJECTION

DRAWN	CHECKED	APPROVED	DATE
M.S	K.K	M.K	MAR.15.'89
DRAWING NO.			SHEET
KD-S89210-B			2 / 5



MP-1


MODIFICATION						NAME	TOLERANCE	DRAWN	CHECKED	APPROVED	DATE
						20 LEAD SIDE BRAZED PACKAGE	UNLESS OTHERWISE SPECIFIED	M.S	K.K	M.K	MAR.15.'89
						SCALE 15/1	MATERIAL AS INDICATED				
							THIRD ANGLE PROJECTION				
	ADDED: THIS SHEET	JAN.6.'01	T.S/H.K	H.TA/S.NI	H.SA	 KYOCERA CORPORATION KYOTO JAPAN	DRAWING NO.		KD-S89210-B SHEET 3/5		
	CHANGED	DATE	DRAWN	CHECKED	APPROVED						



MP-2

MODIFICATION

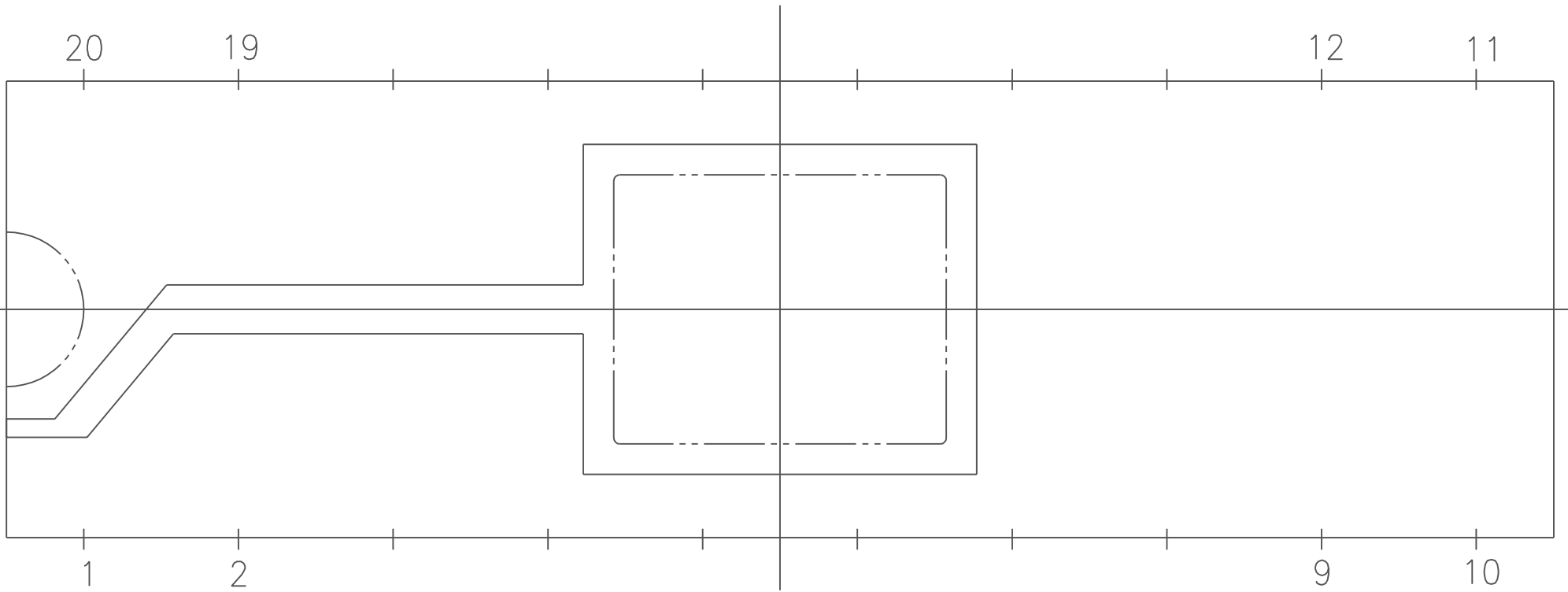
△	ADDED: THIS SHEET	JAN.6.'01	T.S/H.K	H.TA/S.NI	H.SA
	CHANGED	DATE	DRAWN	CHECKED	APPROVED

NAME	20 LEAD SIDE BRAZED PACKAGE
SCALE	15 / 1
MATERIAL	AS INDICATED
	

TOLERANCE	UNLESS OTHERWISE SPECIFIED
—	
THIRD ANGLE PROJECTION	

DRAWN	CHECKED	APPROVED	DATE
M.S	K.K	M.K	MAR.15.'89
DRAWING NO.			SHEET
KD-S89210-B			4 / 5

KYOCERA CORPORATION  
KYOTO JAPAN



MP-3

MODIFICATION						NAME	TOLERANCE	DRAWN	CHECKED	APPROVED	DATE
						20 LEAD SIDE BRAZED PACKAGE	UNLESS OTHERWISE SPECIFIED	M.S	K.K	M.K	MAR.15.'89
						SCALE	MATERIAL				
						15/1	AS INDICATED				
							THIRD ANGLE PROJECTION				
△	ADDED:THIS SHEET	JAN.6.'01	T.S/H.K	H.TA/S.NI	H.SA		KYOCERA CORPORATION KYOTO JAPAN	DRAWING NO.			SHEET 5/5
	CHANGED	DATE	DRAWN	CHECKED	APPROVED			KD-S89210-B			